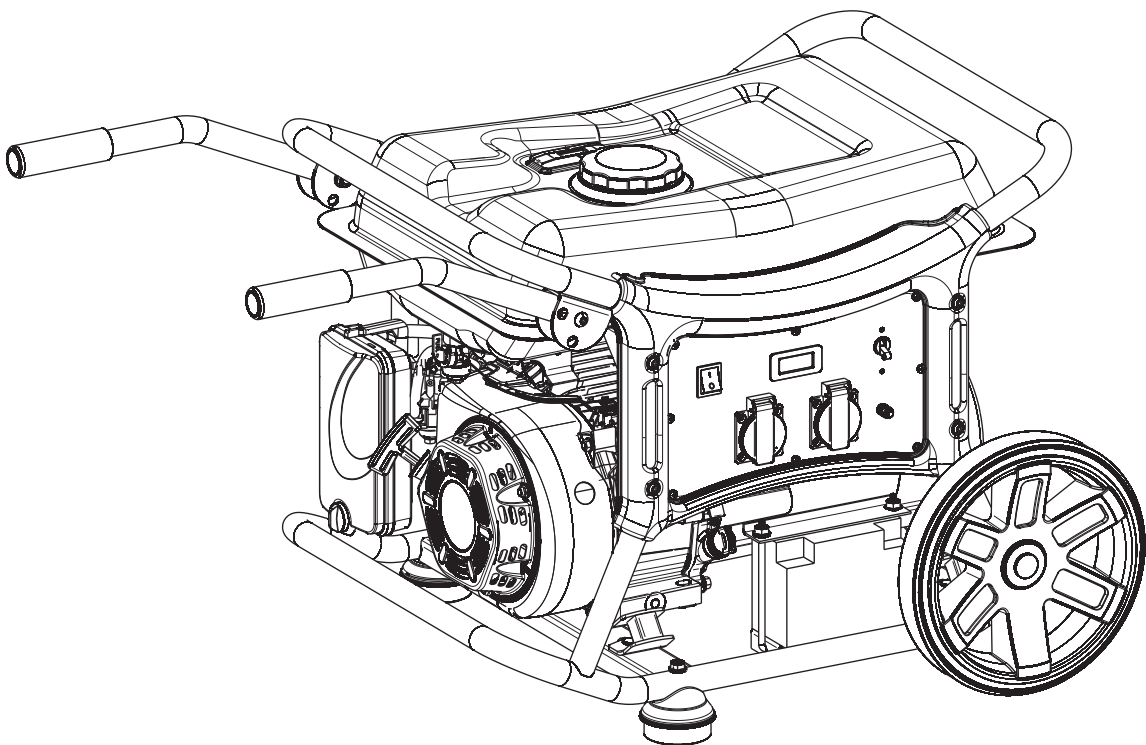




Owner's Manual

WX



Thank you for selecting a Pramac generator.

This manual contains important operational information for your selected generator. For best results, please read all safety messages and warnings carefully before starting and operating your generator.

All information in this publication is based on the latest product information available at the time of printing. The contents in this manual may be different from the actual parts due to revision and other changes.

Our company reserves the right to make changes at any time without notice and without incurring any obligation. No part of this publication may be reproduced without our company's written permission.

This manual should be considered a permanent part of the generator and should remain with the generator if it is resold.

SAFETY MESSAGES

Your safety and the safety of others are very important. We have provided important safety messages in this manual and on the generator. Please read these messages carefully. A safety message alerts you to potential hazards that could hurt you or others. Each safety message is preceded by a safety alert symbol and one of three words: DANGER, WARNING, or CAUTION. These mean:



You WILL be KILLED or SERIOUSLY HURT if you don't follow instructions.



You CAN be KILLED or SERIOUSLY HURT if you don't follow instructions.



You CAN be HURT if you don't follow instructions.



Your generator or other property could be damaged if you don't follow instructions.

PR INDUSTRIAL s.r.l.
Loc. Il Piano
CAP 53031, Casole D'Elsa (SI)
ITALIA

CONTENTS

SAFETY NOTICE	4
COMPONENT IDENTIFICATION	5
CONTROL	7
GENERATOR OPERATION	8
PRE-OPERATION CHEK	9
STARTING THE ENGINE	11
STOPPING THE ENGINE	11
MAINTENANCE	12
STORAGE	15
TROUBLESHOOTING	16
WHEEL KIT	17
CE DELARATION	18
SERIAL NUMBER PLATES	19

SAFETY NOTICE

1. SAFETY STANDARD

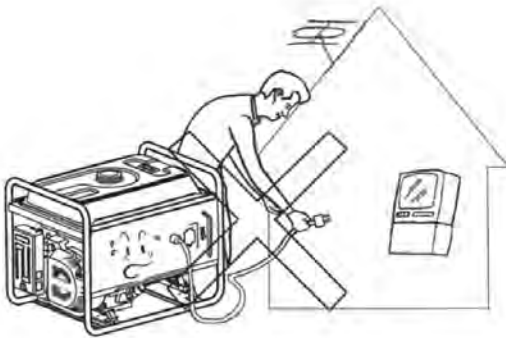
Read and understand this owner's manual before starting and operating your generator. You can help prevent accidents by being familiar with your generator's controls, and by observing safe operating procedures.



Don't operate indoors.



Don't operate in the wet condition



Don't directly connect to the household power supply



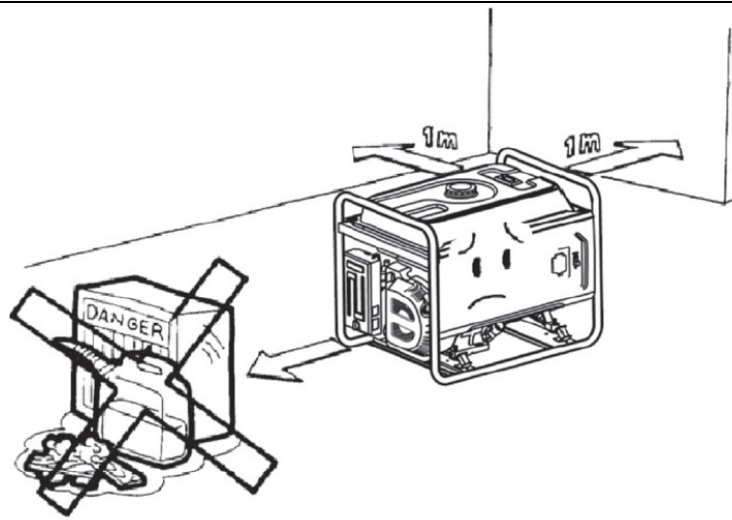
Don't smoke when refuelling



Don't overflow the fuel when refuelling.



Stop the engine before refuelling

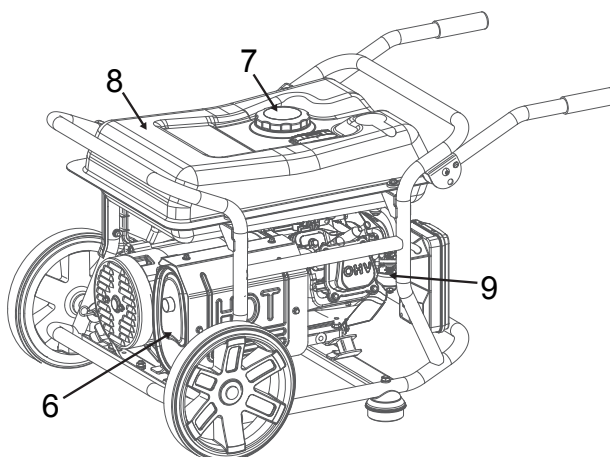
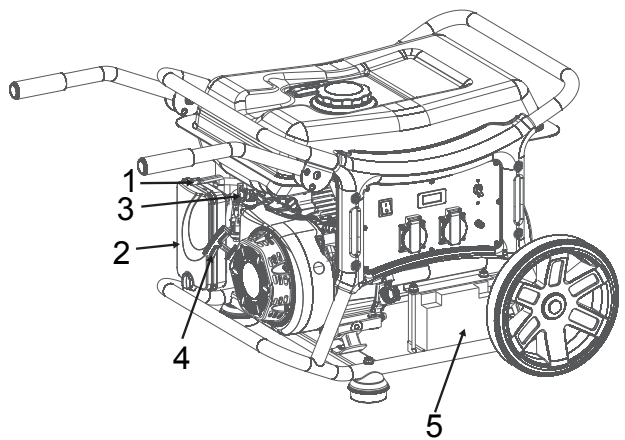


Please keep it 1m minimum away from the inflammable materials

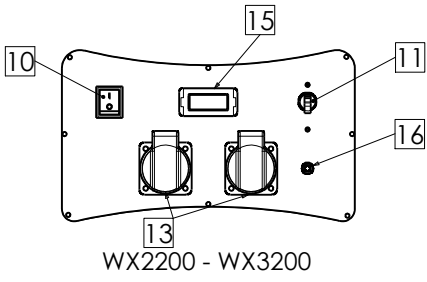
2. SPECIAL REQUIREMENTS

- Electrical equipment including lines and plug connections should be free from exposure.
- The circuit breakers should be matched with the generator equipment. If the circuit breakers require replacement, they must be replaced with a circuit breaker having identical ratings and performance characteristics

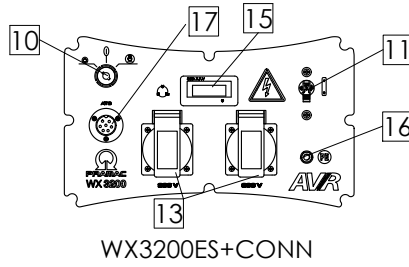
COMPONENT IDENTIFICATION



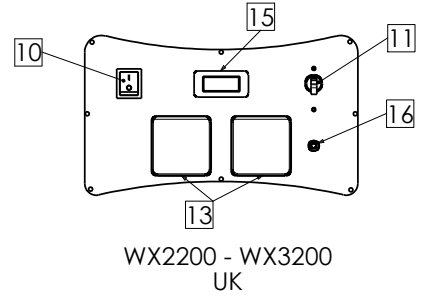
1	CHOKE LEVER
2	AIR CLEANER
3	FUEL VALVE
4	RECOIL-STARTER GRIP
5	BATTERY (ES)
6	MUFFLER
7	FUEL TANK CAP
8	FUEL TANK
9	CARBURETOR
10	GENERATOR SWITCH
11	CIRCUIT BREAKER
12	SOCKET CIRCUIT BREAKER
13	SOCKET
14	CEE SOCKET
15	HOUR METER – VOLT METER – FREQUENCY METER
16	GROUND TERMINAL
17	ATS CONNECTOR(CONN)



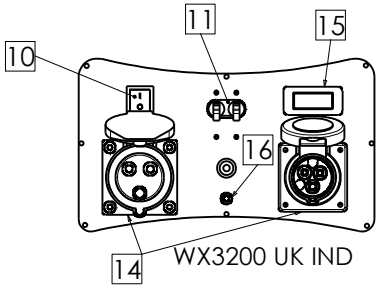
WX2200 - WX3200



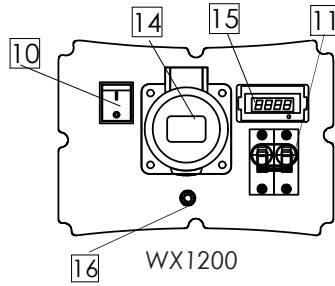
WX3200ES+CONN



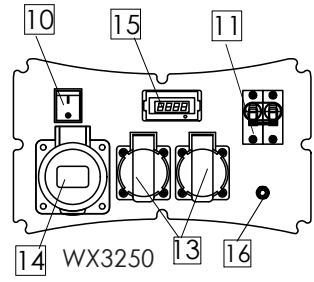
WX2200 - WX3200
UK



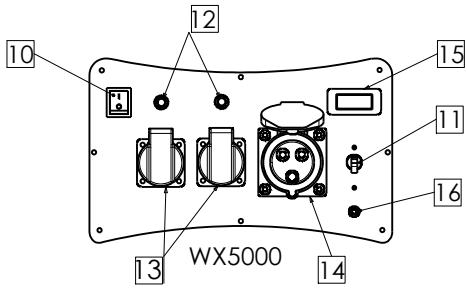
WX3200 UK IND



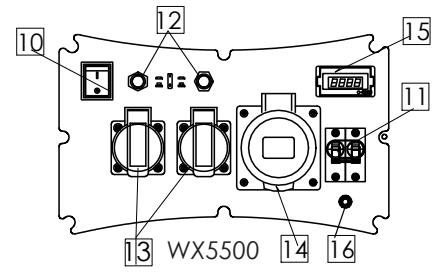
WX1200



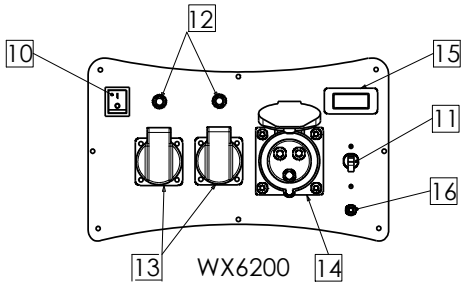
WX3250



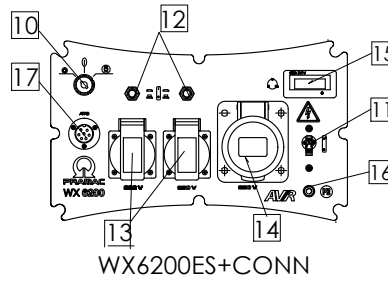
WX5000



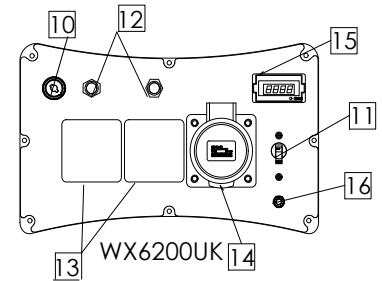
WX5500



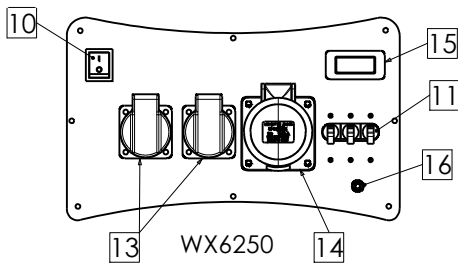
WX6200



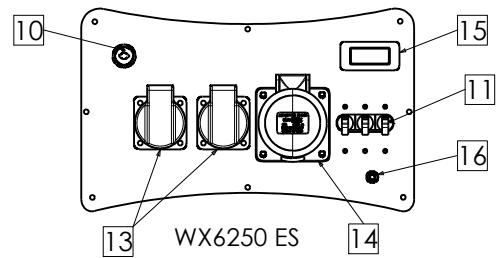
WX6200ES+CONN



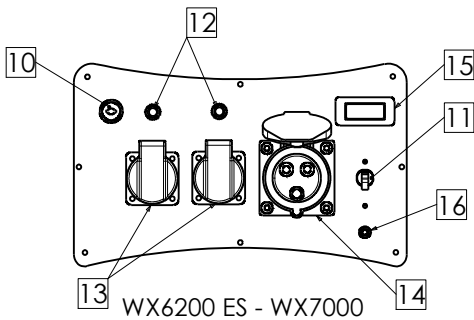
WX6200UK



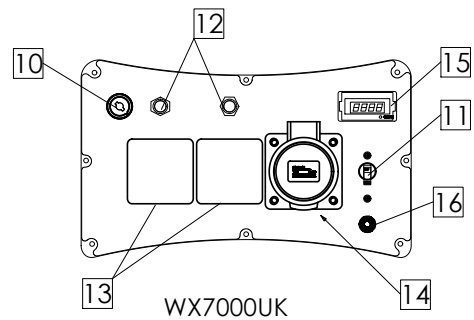
WX6250



WX6250 ES



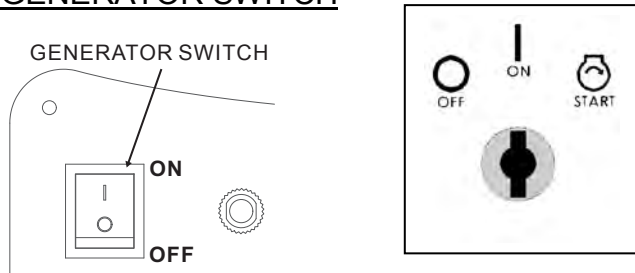
WX6200 ES - WX7000



WX7000UK

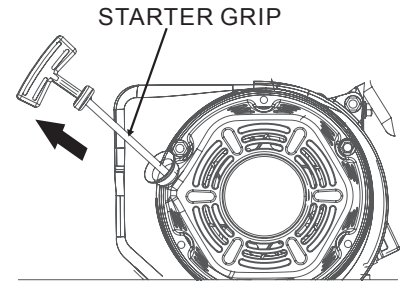
CONTROL

1. GENERATOR SWITCH



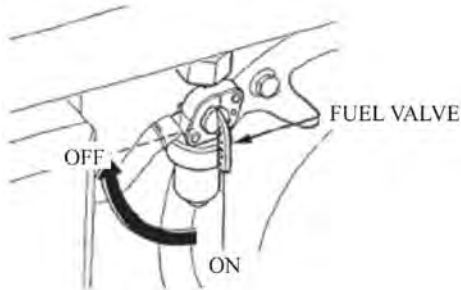
2. RECOIL STARTER

To start the engine, pull the starter grip lightly until resistance is felt, then pull briskly.



NOTICE

Do not allow the starter to snap back against the engine. Return it gently to prevent damage to the starter.

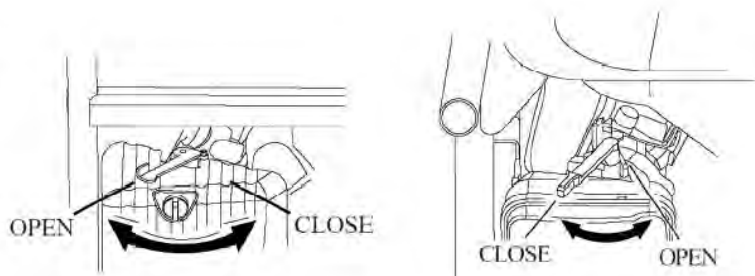


3. FUEL VALVE

The fuel valve controls fuel flowing from the fuel tank to carburetor. Be sure to return the lever to “OFF” after stopping the engine.

4. CHOKE LEVER

The choke lever is used to provide an enriched fuel mixture when starting a cold engine. Slowly put the choke lever to “OPEN” position after the engine is heated.



5. AC CIRCUIT BREAKER / OVERCURRENT PROTECTOR

The overload current will automatically switch off circuit breaker to avoid short circuit of the load or overload. If the indicator of AC Overcurrent Protector is raised, the Over-current Protector is now in the “OFF” position. Press the button of AC Over-current Protector to the “ON” position again a few minute later. If the circuit breaker is switched OFF automatically, switch the circuit breaker ON again.

6. OIL ALERT SYSTEM

The oil alert system is specially designed to prevent engine damage caused by an insufficient amount of oil in the crankcase. When the oil level in the crankcase falls down below a safe limit, the oil alert system will automatically shut down the engine (though the generator switch still remain in the ON position), so that the engine can't be damaged resulting from the insufficient amount of the oil.

GENERATOR OPERATION

Generator operation environment:

Temperature: -15 °C ~ 40°C

Humidity: 95% lower.

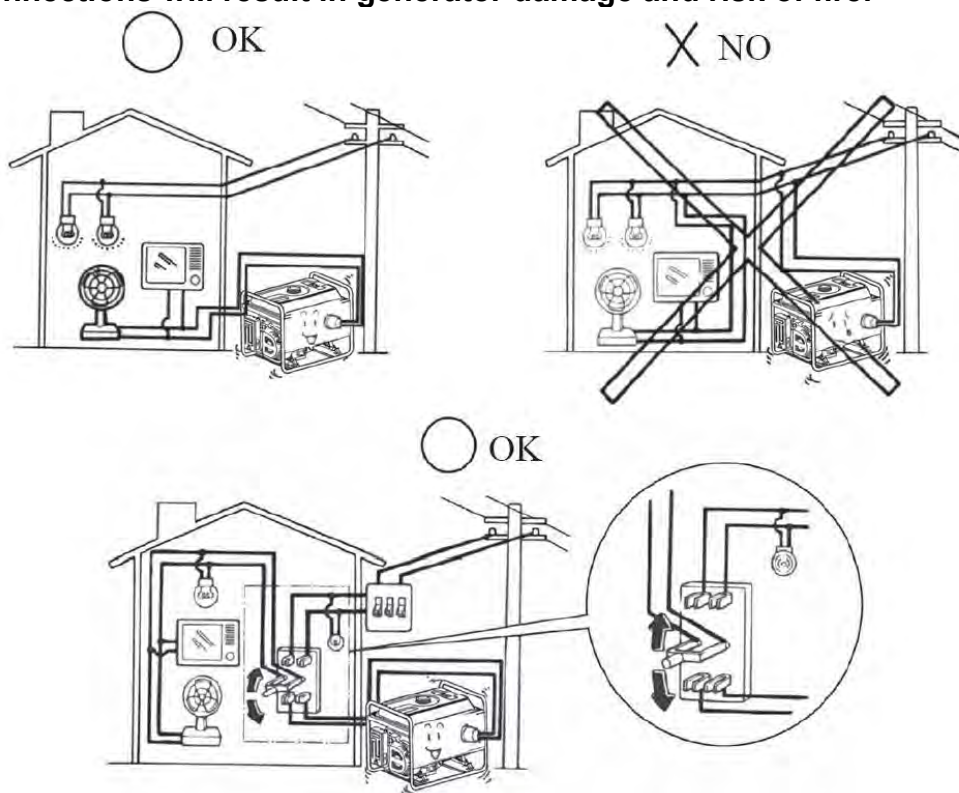
Height above sea level: 1000 m lower (If the area is 1000 m over, the power should be lowered in operation).

1. CONNECTION TO THE HOUSEHOLD POWER SUPPLY

NOTICE

When connecting the generator to the household power supply, connection must be made by a qualified electrician. After connecting, carefully check electric connections for their safety and reliability.

Unsafe connections will result in generator damage and risk of fire.



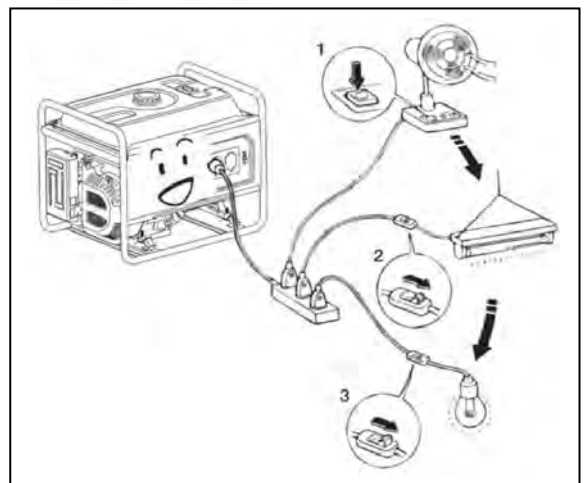
2. AC CURRENT

Before starting the generator, make sure that total load appliance power (Total resistance, capacitive and inductive) does not exceed rated power of the generator

NOTICE

Overload operation will greatly shorten generator service life.

If the generator set is connected to multi-loads or electric appliances, please first connect to current maximum, in turn, current second, and final, current minimum.



In general, capacitive and inductive load, especially, motor-driven devices have a big starting current when starting.

3. HIGH ALTITUDE OPERATION

At high altitude, the standard carburetor air-fuel mixture will be excessively rich. Output power will decrease, and fuel consumption will increase. Engine performance can be improved by installing a smaller diameter main fuel jet in the carburetor and readjusting the pilot screw. If you always operate the engine at altitudes above sea level 1000 meters, have our company authorized dealer perform this carburetor modification. If not, lower load power in operating generator.

Even equipped with suitable carburetor, engine horsepower will decrease approximately 3.5% for each 300 meter increase in altitude. The effect of altitude on horsepower will be lowered greater than this if no carburetor modification is made.

NOTICE

If a carburetor for high altitude is equipped with engine suitable to a lower altitude, the lean air fuel mixture will cause the engine output power lowering, over-heat and seriously damage.

PRE-OPERATION CHEK

1. ENGINE OIL

NOTICE

Engine oil is a major factor affecting engine performance and service life. Non-detergent and 2-stroke engine oils will damage the engine and are not recommended. Check the oil level before each use with the generator on a level surface with the engine stopped.

Recommended oil
4-stroke gasoline oil
API service Classification's SF
or SAE10W-30 of equivalent SG class.

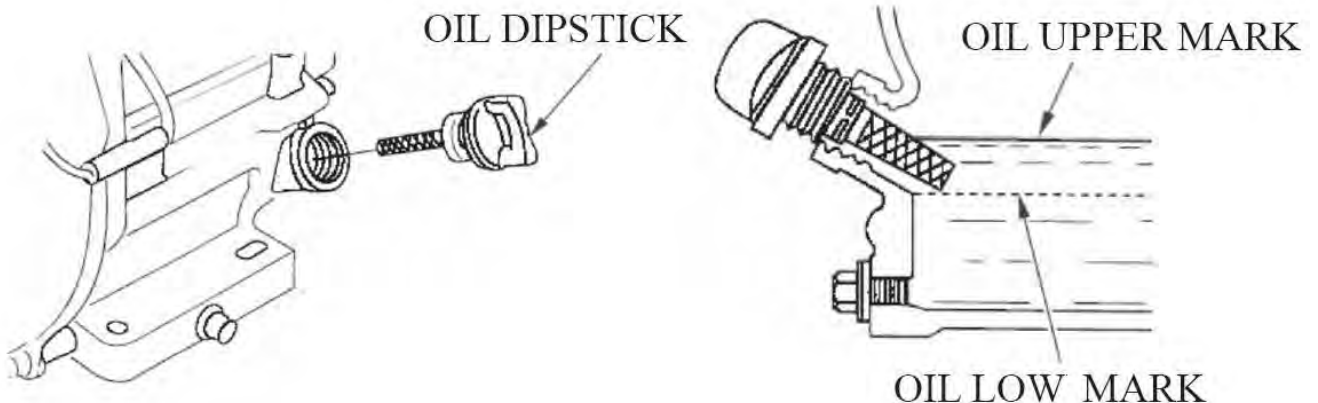
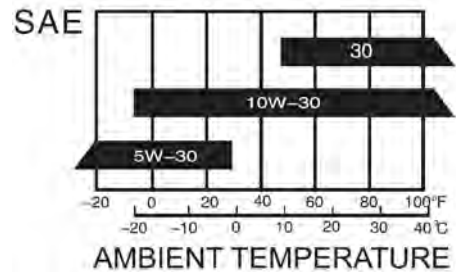
Method of check oil level:

Remove the oil filler cap and wipe the dipstick clean.

Check the oil level by inserting the dipstick into the filler neck without screwing it in.

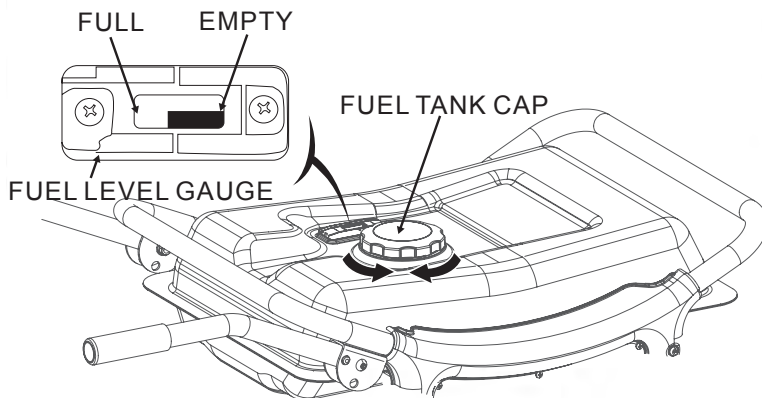
If the level is low, add the recommended oil to the upper mark on the dipstick.

After adding, don't forget to reinsert and screw down the oil dipstick.

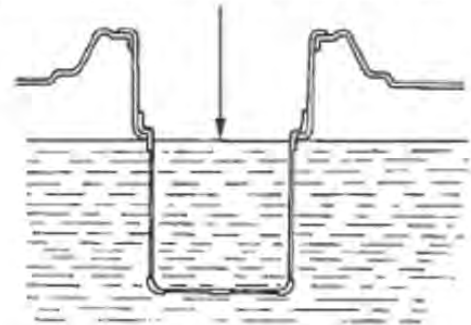


2. FUEL

1. Check the fuel level gauge,
2. Refill the tank if the fuel level is low. Do not fill above the shoulder of the fuel strainer.
3. Reinstall and screw down the fuel tank cap after refuelling.



FUEL MAXIMUM UPPER LEVEL



FUEL STRAINER

WARNING

- Refuel in a well-ventilated area with the engine stopped. Do not smoke or allow flames or sparks in the area where the engine is refuelled or where gasoline is stored.
- Do not overfill the fuel tank.
- Avoid repeated or prolonged contact with skin or breathing of vapour.
- Keep out of reach of children.
- Don't use the oil and gasoline mixture or gasoline contained impurity.

Use gasoline with octane rating ≥ 90 .

We recommend unleaded gasoline because it produces fewer engine and spark plug deposits and extends exhaust system life.

Never use stale or contaminated gasoline or oil/gasoline mixture. Avoid getting dirt or water in the fuel tank.

STARTING THE ENGINE

1. RECOIL STARTER

1. Remove all the loads out of the output.
2. Turn the fuel valve to the "ON" position.
3. Turn the AC circuit breaker to the "OFF" position.
4. Turn the choke lever to the "CLOSE" position.

NOTICE

Don't close the choke when starting the engine in warm state

5. Turn the generator switch to the "ON" position.
6. Pull the starter grip until compression is felt, then pull briskly.
7. Turn the choke lever to the "OPEN" position after the engine is warm.
8. Don't use electric apparatus before setting circuit breaker to the "ON" position.

NOTICE

Don't close the choke when starting the engine in warm state.

4. Turning the generator switch to electric starting position.
5. After starting engine, immediately release generator switch and generator switch can automatically return to open position.
6. Turn the choke lever to "OPEN" position after the engine is warm.

NOTICE

Turn the generator switch to electric starting position for more than 5 seconds can damage the starting motor. If failing to start, release the switch and wait 10 seconds before operating it again.

If the speed of the starting motor drops fast after a period of time, it means that the battery should be recharged.

STOPPING THE ENGINE

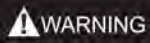
1. Turn the AC circuit breaker to the OFF position.
2. Turn the generator switch to the OFF position.
3. Turn the fuel valve to the OFF position.

NOTICE

To stop the engine in an emergency, turn the generator switch to the OFF position.

MAINTENANCE

Good maintenance is essential for safe, economical, and trouble-free operation. It will also help reduce air pollution.



Exhaust gas contains poisonous carbon monoxide. Shut off the engine before performing any maintenance. If the engine must be run, make sure the area is well ventilated.

Periodic maintenance and adjustment is necessary to keep the generator in good operating condition. Perform the service and inspection at the intervals shown in the Maintenance schedule below:

REGULAR SERVICE PERIOD		Each Use	First Month or 20 Hrs.(3)	Every 3 Months or 50 Hrs. (3)	Every 6 Months or 100 Hrs. (3)	Every Year or 300 Hrs. (3)
Engine oil	Check Level	○				
	Change		○		○	
Air cleaner	Check	○				
	Clean			○ (1)		
Sediment Cup	Clean				○	
Spark plug	Clean				○	renew
Valve clearance	Check-Adjust					○ (2)
Cylinder Cover	Clean	Every 300 Hours (2)				
Fuel tank and strainer	Clean	Every 2 Years (2)				
Fuel line	Replace	Every 2 Years (2)				
WX1200–WX3250 Cylinder head and the head of piston	Clean carbon	Every 125 hours (2)				
WX5500–WX7000 Cylinder head and the head of piston	Clean carbon	Every 250 hours (2)				

1. Service more frequently when used in dusty areas.
2. These items should be serviced by an authorized generator dealer.
3. When used more often, only servicing according to above correct intervals can insure the generator set long-term use.



Improper maintenance, or failure to correct a problem before operation, can cause a malfunction in which you can be seriously hurt or killed. Always follow the inspection and maintenance recommendations and schedules in this owner's manual.

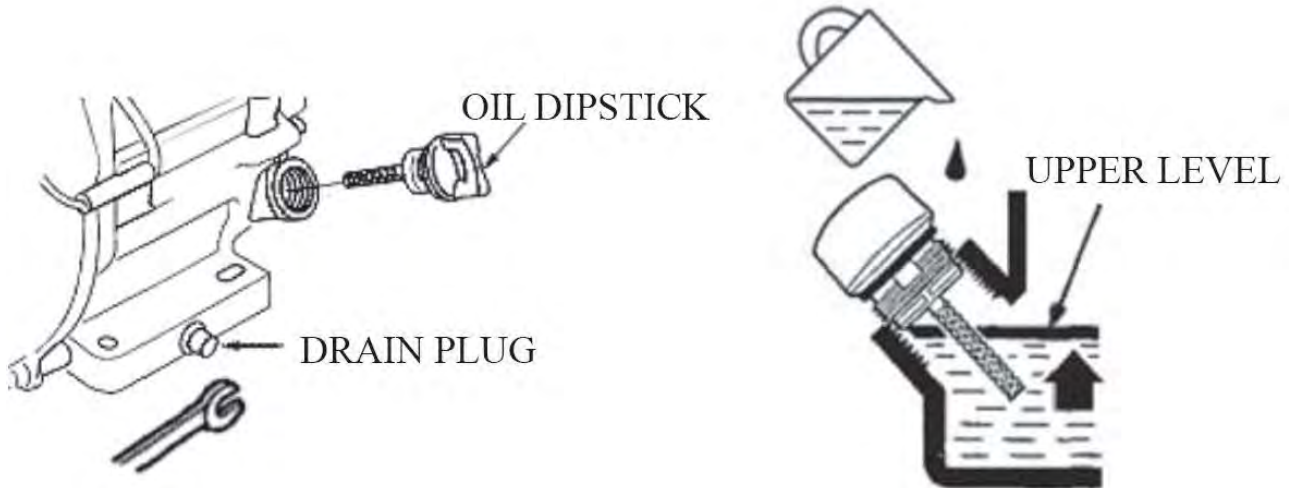
1. ENGINE OIL CHANGE

Drain the oil while the engine is warm to assure complete and rapid draining.

1. Remove the oil dipstick and drain plug to drain the oil.
2. Reinstall the drain plug, then tighten the plug securely.
3. Refill oil and check the oil level.

Oil capacity: WX1200-WX2200-WX3200-WX3250: 0.6L;

WX5000-WX5500-WX6200-WX6250-WX7000: 1L



CAUTION

Refer to the oil security card.

Dispose of the oil according to the local requirements

2. AIR CLEANER SERVICE

A dirty air cleaner will restrict air flow to the carburetor. To prevent carburetor malfunction, service the air cleaner regularly. Service more frequently when operating the generator in extremely dusty areas.

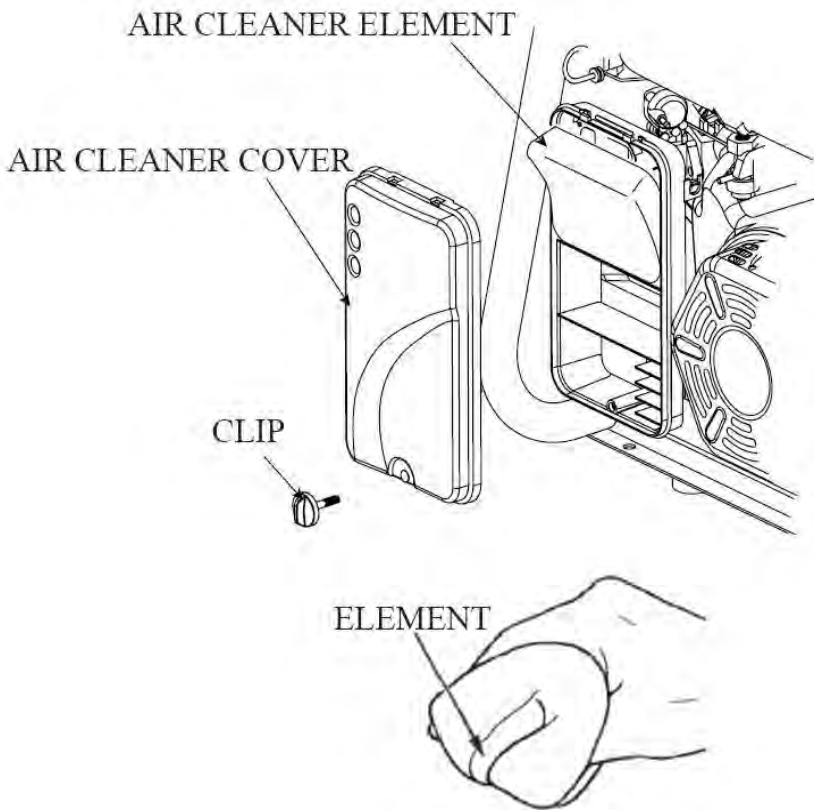
CAUTION

Using gasoline or flammable solvent to clean the filter element can cause a fire or explosion. Use only soapy water or non flammable solvent.

NOTICE

Never run the generator without the air cleaner. If not, rapid engine wear will result.

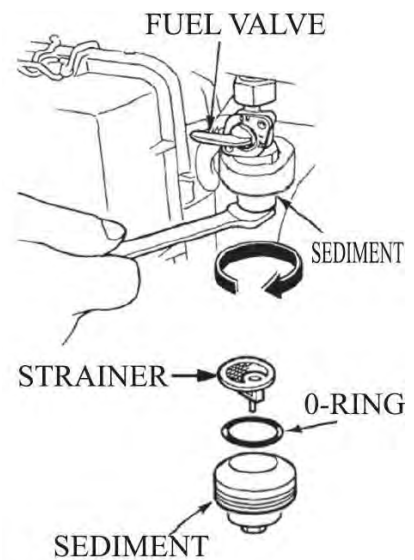
1. Open the air cleaner clip and open the air cover. Check the air cleaner element for any damage and clean.
2. If the air cleaner element is dirty, please clean the air cleaner element: Wash the air cleaner element in a solution of household detergent and warm water, then rinse thoroughly or wash in non flammable or high flash point solvent: Pour a few drops of engine oil, on the oil filter element then squeeze out.



3. Reinstall the air cleaner element and the cover.

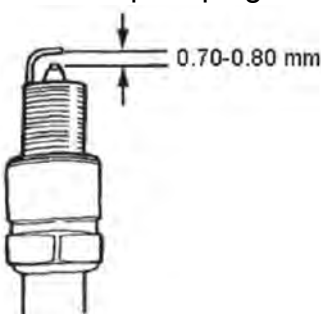
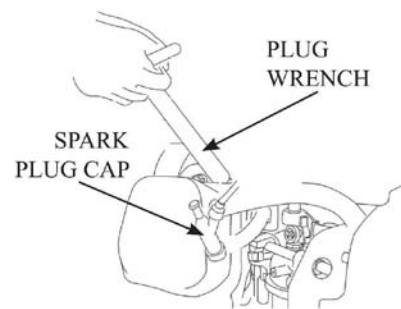
3. FUEL SEDIMENT CUP CLEANING

1. Turn the fuel valve to the OFF position. Remove the sediment cup, o-ring and strainer according to the arrow direction.
2. Clean the sediment cup, and o-ring, and strainer in non flammable or high flash point solvent.
3. Reinstall o-ring, and strainer and screw down the sediment cup.
4. Turn the fuel valve ON and check for leaks.



4. SPARK PLUG SERVICE

1. Recommended spark plugs: F7RTC or other equivalents
2. Remove the spark plug cap.
3. Use the plug wrench to remove the spark plug.
4. Visually inspect the spark plug if the insulator is cracked. If cracked, replace with new the spark plug.
5. Measure the plug gap with a feeler gauge. Correct as necessary by carefully bending the side electrode. The gap should be: 0.70-0.80 mm.
6. Check the spark plug washer for damage.
7. Reinstall the spark plug, tighten it with plug wrench and impact the washer. Reinstall the spark plug accurately.



NOTICE Please use the spark plug with suitable heat range.

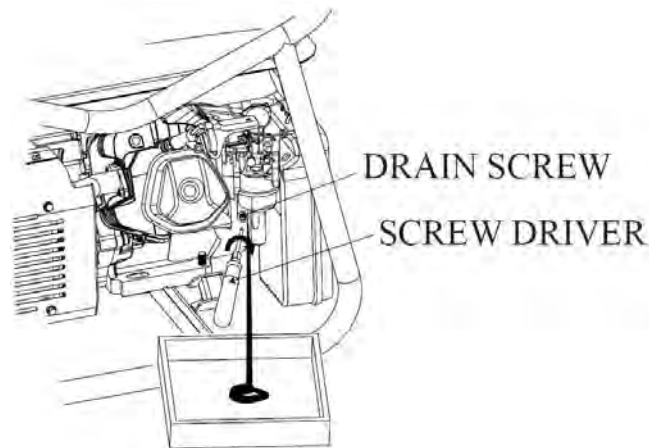
STORAGE

⚠ WARNING

Do not touch a hot engine or exhaust system to avoid burns or fires. Let the engine cool before storing the generator.

If storing the unit for an extended period, be sure the storage area is free of excessive humidity and dust.

1. Drain the fuel in the fuel tank out, clean strainer, o-ring and sediment cup, then reinstall. Drain fuel out of the carburettor by loosening the drain screw, then reinstall and screw down the carburetor screw.



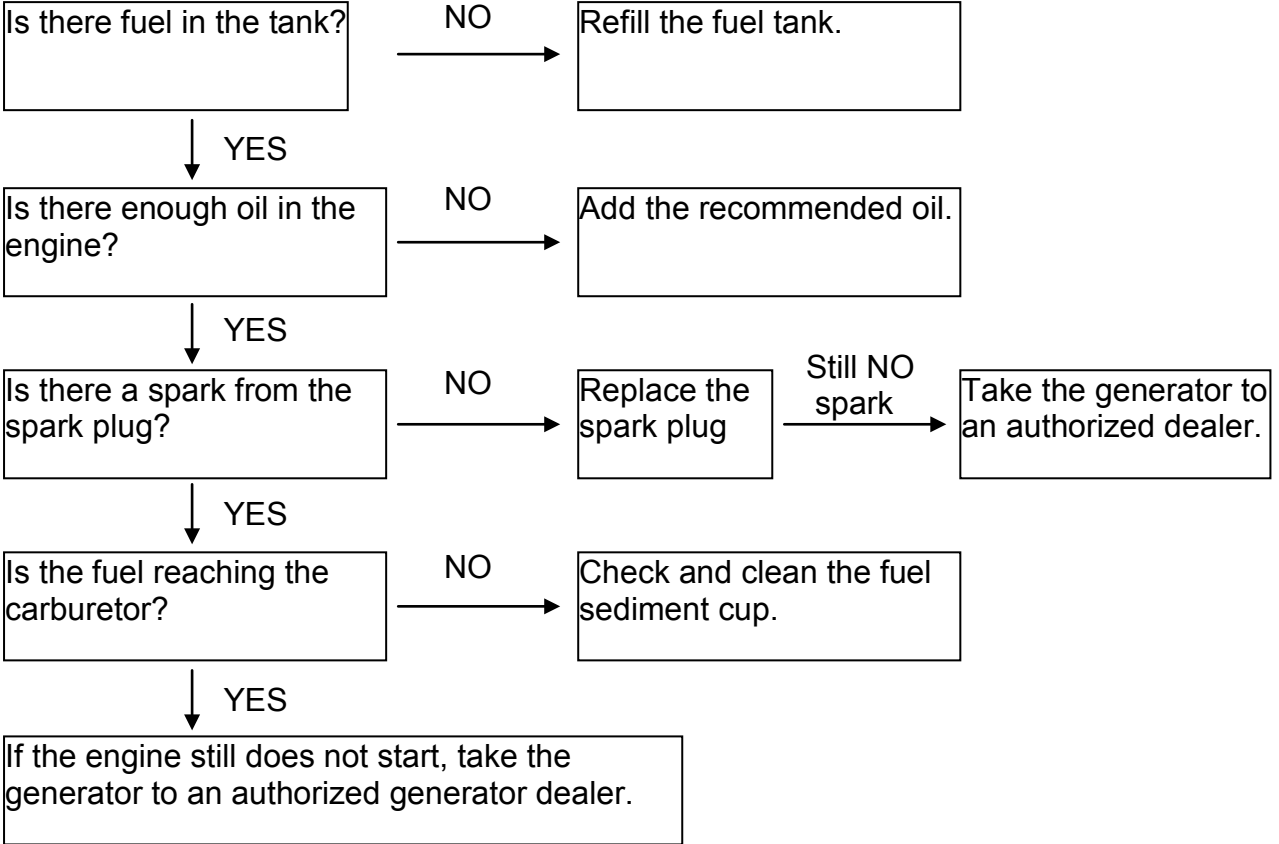
⚠ WARNING

Gasoline is extremely flammable and is explosive under certain conditions. Drain fuel in a well ventilated area with the engine stopped. Do not smoke or allow flames or sparks in the area during this procedure.

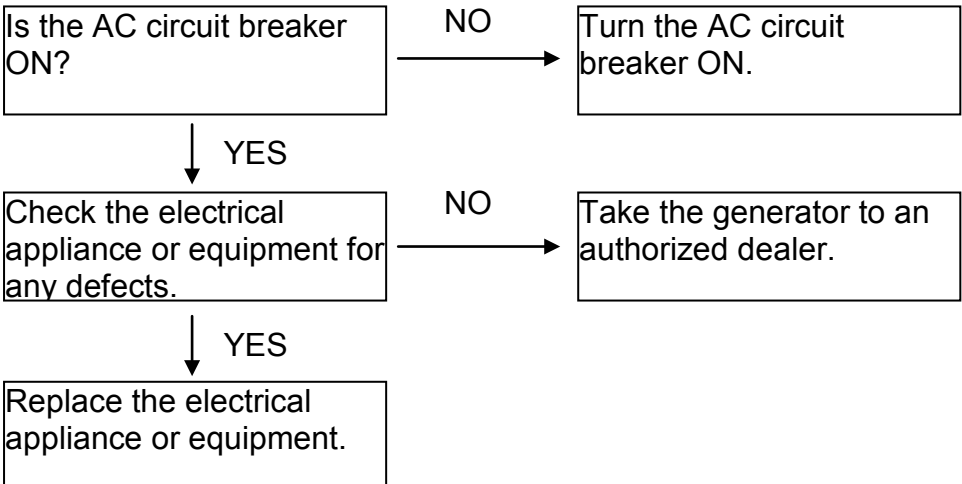
2. Screw the oil dipstick off and screw the drain bolt off the crankcase to completely drain the oil out. Then screw down the drain bolt and fill fresh oil to upper mark, finally reinstall the oil dipstick.
3. Remove the spark plug, and pour about a tablespoon of clean engine oil into the cylinder. Crank the engine several revolutions to distribute the oil, then reinstall the spark plug.
4. Slowly pull the starter grip until resistance is felt. Leave the intake and exhaust valves in the closed position.
5. Place the generator in the clean area.

TROUBLESHOOTING

ENGINE UNABLE TO START:

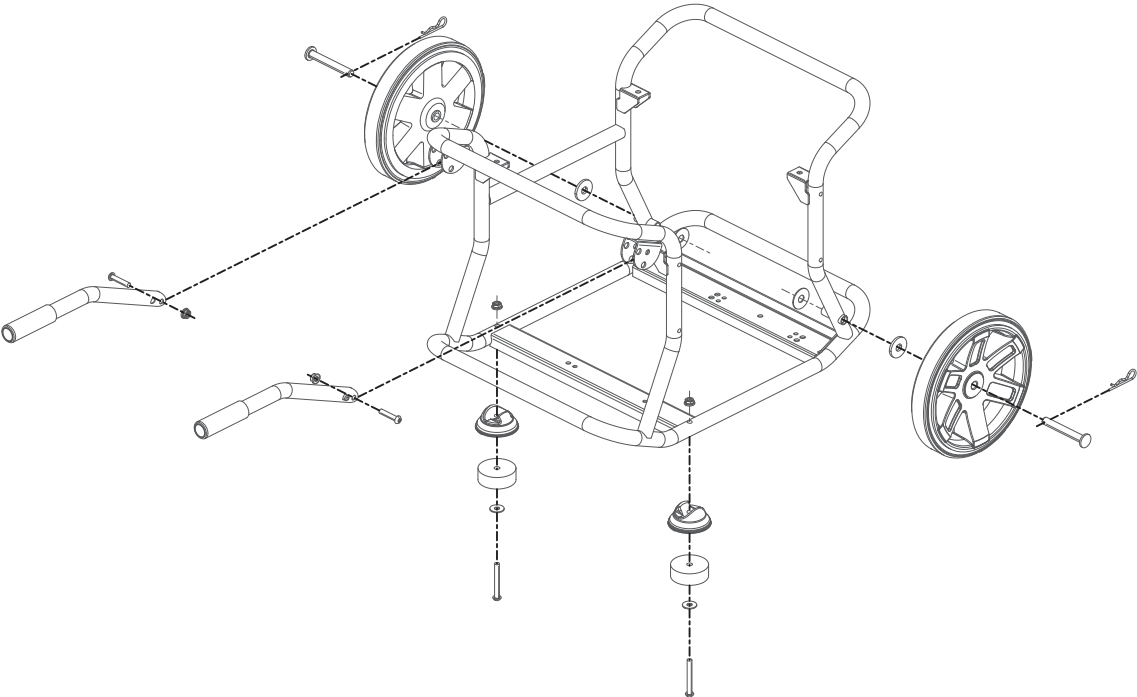
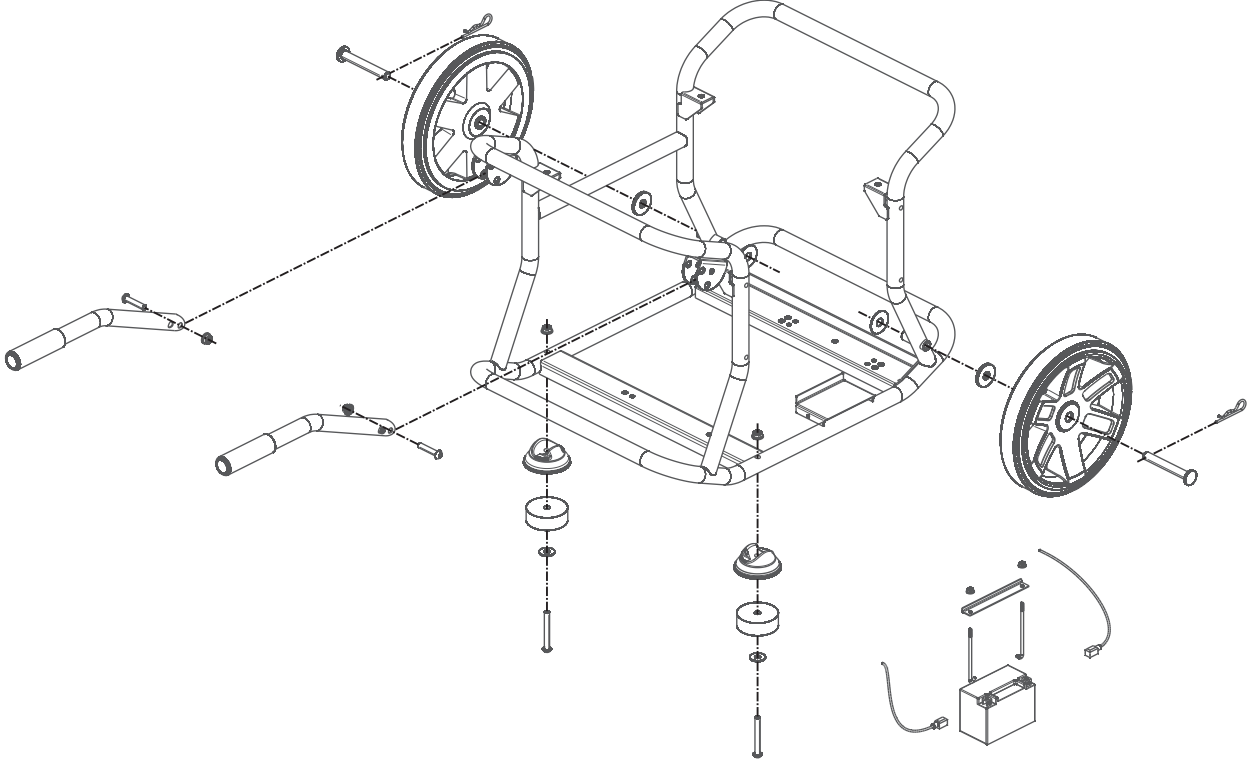


NO POWER SUPPLY:



WHEEL KIT

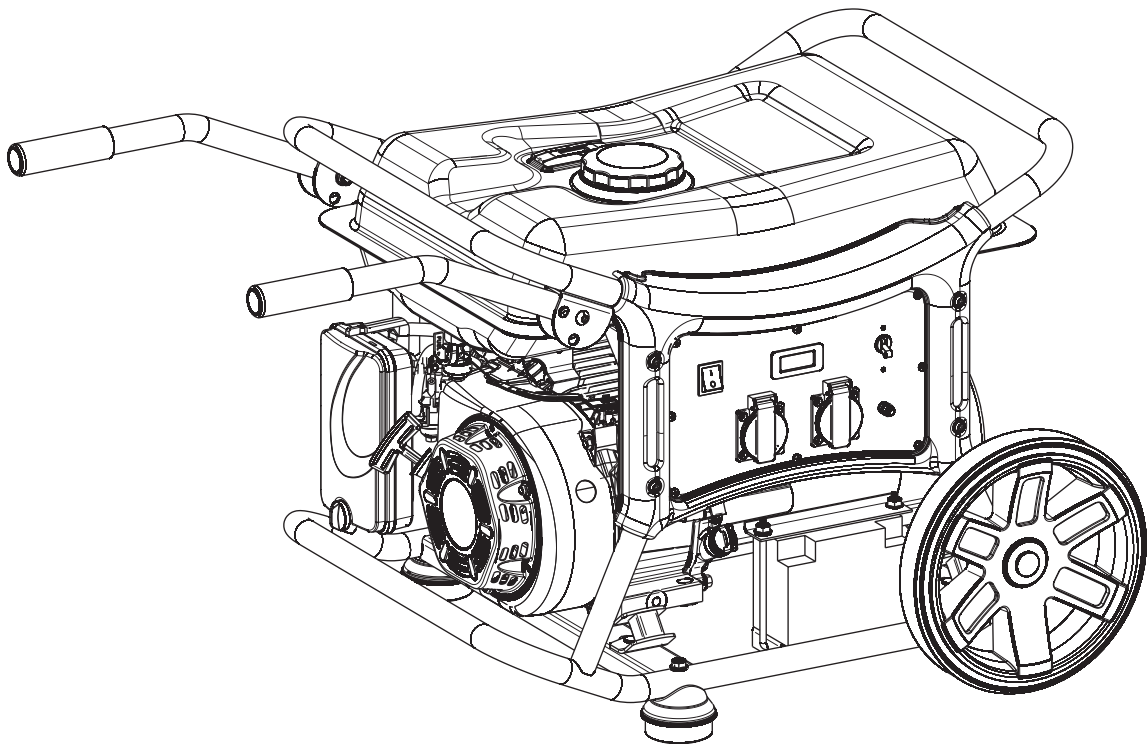
- 1. Install the two wheels on the wheel axle with gaskets and pins.
- 2. Install the wheel on the bottom plate of the generator frame with bolts and nuts.
- 3. Fix the handle on the frame.





Manuale Uso e Manutenzione

WX



Grazie per aver scelto un gruppo elettrogeno della nostra Azienda.

Questo manuale contiene le informazioni per l'uso e la manutenzione del generatore. Leggere attentamente le istruzioni prima di usare il generatore.

Un uso corretto e sicuro, vi aiuterà ad ottenere i migliori risultati.

La Casa Costruttrice si riserva il diritto di effettuare modifiche ai propri prodotti in qualsiasi momento, senza preavviso e senza incorrere in alcuna sanzione. Questo manuale ne parte di esso potrà essere riprodotta senza autorizzazione scritta da parte della Casa Costruttrice.

Tutte le informazioni qui riportate sono basate sui dati disponibili al momento della stampa; il contenuto di questo manuale potrebbe essere diverso dalle parti reali dovuto a revisioni o altre migliorie.

Il presente manuale deve essere considerato parte integrante del generatore e dovrà essere incluso all'atto di vendita.

INDICAZIONI DI SICUREZZA

La Vostra sicurezza e la sicurezza degli altri è molto importante.

Nel manuale del generatore troverete importanti indicazioni per la sicurezza. Leggere questi messaggi attentamente.

I messaggi sulla sicurezza Vi allenteranno sui potenziali rischi in cui potrete incorrere Voi o altre persone. Ogni messaggio di sicurezza è preceduto dal simbolo di pericolo e una delle seguenti parole: PERICOLO, ATTENZIONE o AVVERTENZA.



Il mancato rispetto delle istruzioni **PROVOCHERÀ** la MORTE o GRAVI LESIONI PERSONALI



Il mancato rispetto delle istruzioni **POTREBBE** provocare la MORTE o GRAVI LESIONI PERSONALI



Il mancato rispetto delle istruzioni **POTREBBE** provocare LESIONI PERSONALI.

NOTA

Il mancato rispetto delle istruzioni potrebbe provocare danni al generatore o ad altre proprietà

PR INDUSTRIAL s.r.l.
Loc. Il Piano
CAP 53031, Casole D'Elsa (SI)
ITALIA

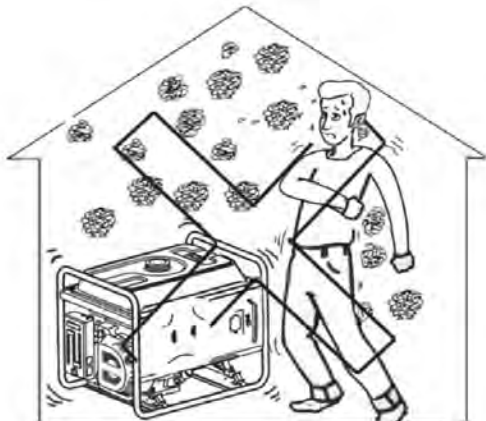
INDICE

INFORMAZIONI DI SICUREZZA.....	22
IDENTIFICAZIONE COMPONENTI.....	23
DESCRIZIONE COMANDI .	25
CONDIZIONI DI UTILIZZO .	26
CONTROLLI PRELIMINARI	27
AVVIAMENTO DEL GENERATORE	29
ARRESTO DEL GENERATORE	29
MANUTENZIONE.	30
RIMESSAGGIO .	33
INDIVIDUAZIONE PROBLEMI	34
KIT DI TRASPORTO	35
DICHIARAZIONE DI CONFORMITA CE	36
TARGA MATRICOLA.	36

INFORMAZIONI DI SICUREZZA

1. NORME DI SICUREZZA

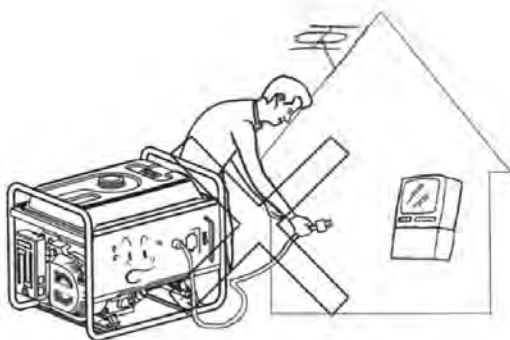
Leggere e comprendere questo manuale prima di utilizzare il generatore. È possibile contribuire a prevenire gli incidenti avendo familiarità con il generatore, e osservando le procedure operative di sicurezza.



NON usare in luoghi CHIUSI



NON usare in ambiente UMIDO



NON collegare la presa dal generatore direttamente all'alimentazione di casa.



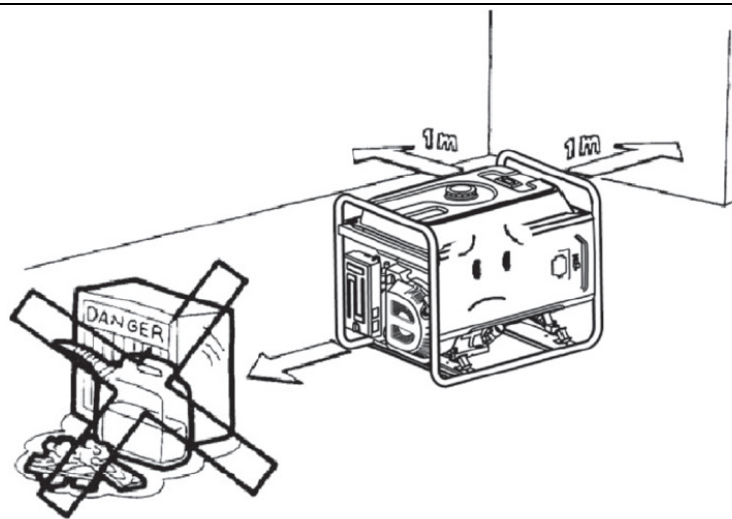
NON FUMARE quando si fa rifornimento di benzina



EVITARE fuoriuscite di benzina quando si fa rifornimento



SPEGNERE il motore prima di fare rifornimento

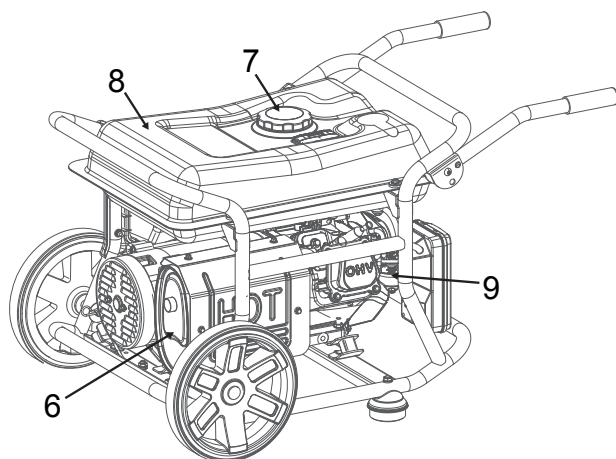
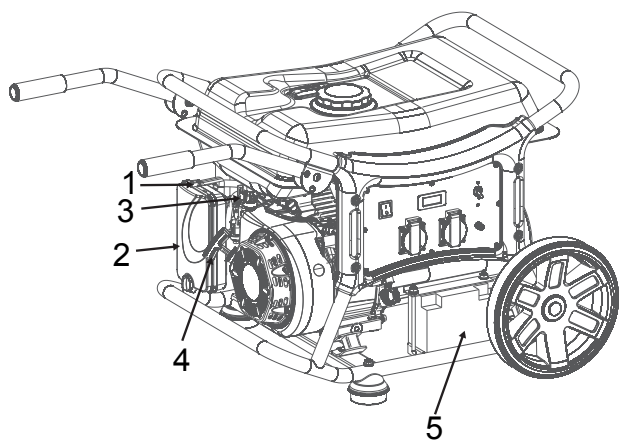


Posizionare il generatore a distanza di almeno 1m da materiali infiammabili e pareti

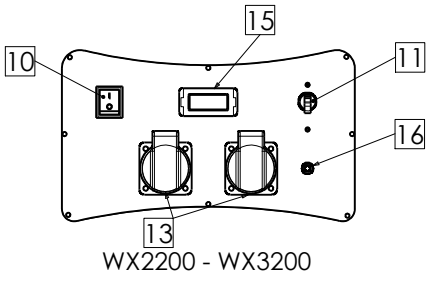
2. REQUISITI PARTICOLARI

- Il materiale elettrico, compreso prese e fili deve essere integro e privo di sbucciature.
- Gli interruttori termici e magneto-termici sono correttamente dimensionati per ogni generatore. Se un interruttore deve essere sostituito, dovrà essere sostituito con uno di identiche prestazioni e caratteristiche tecniche.

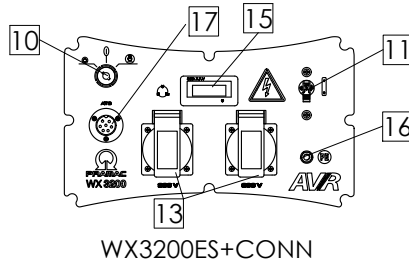
IDENTIFICAZIONE COMPONENTI



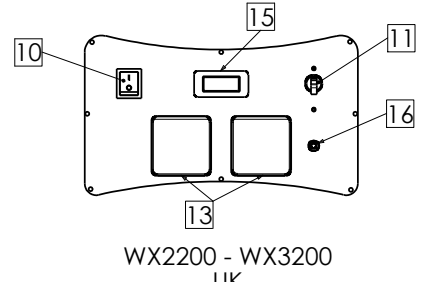
1	LEVA ARIA MOTORE
2	FILTRO ARIA
3	RUBINETTO BENZINA
4	MANIGLIA PER AVVIAMENTO A STRAPPO
5	BATTERIA (ES)
6	MARMITTA
7	TAPPO SERBATOIO BENZINA
8	SERBATOIO BENZINA
9	CARBURATORE
10	INTERRUTTORE GENERATORE
11	INTERRUTTORE MAGNETO-TERMICO DI GRUPPO
12	INTERRUTTORE TERMICO
13	SCHUKO
14	PRESA CEE
15	CONTAORE-VOLTMETRO-FREQUENZIMETRO
16	TERMINALE DI TERRA
17	CONNETTORE ATS (CONN)



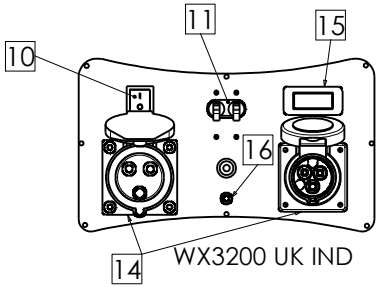
WX2200 - WX3200



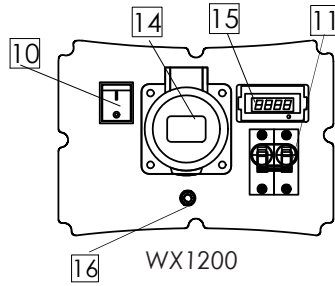
WX3200ES+CONN



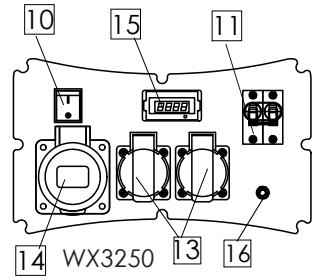
WX2200 - WX3200
UK



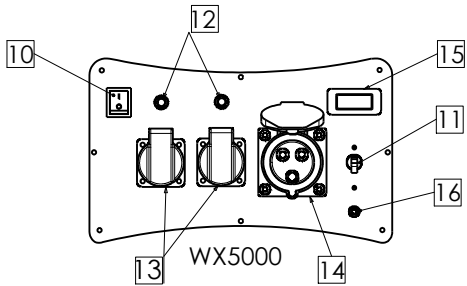
WX3200 UK IND



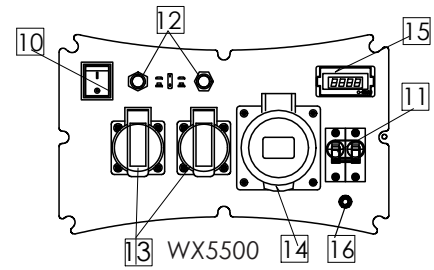
WX1200



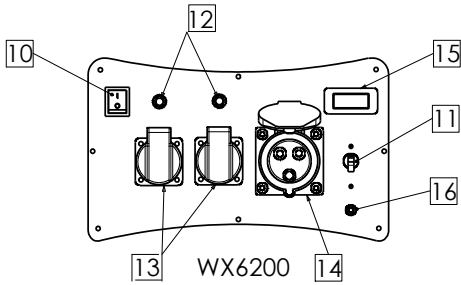
WX3250



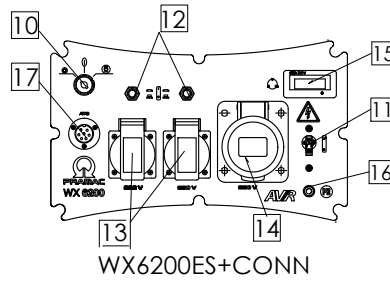
WX5000



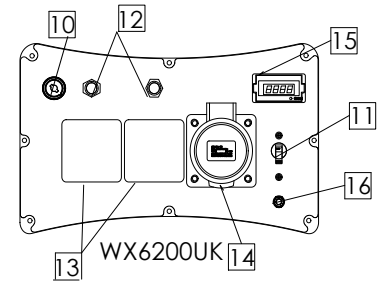
WX5500



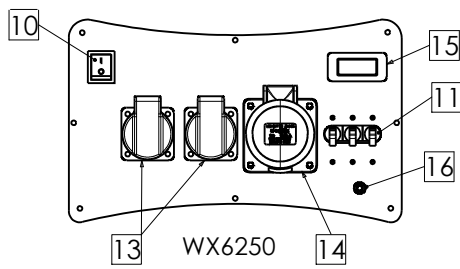
WX6200



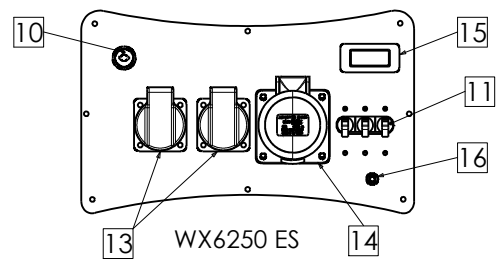
WX6200ES+CONN



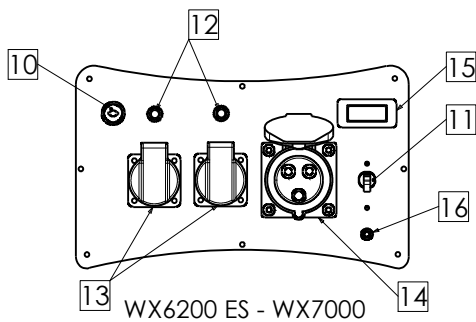
WX6200UK



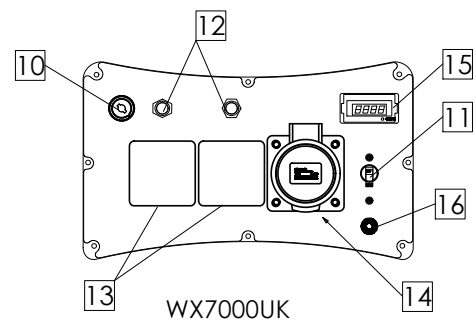
WX6250



WX6250 ES



WX6200 ES - WX7000

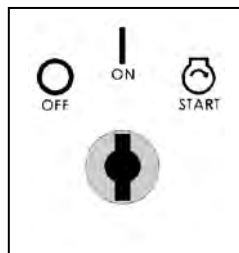
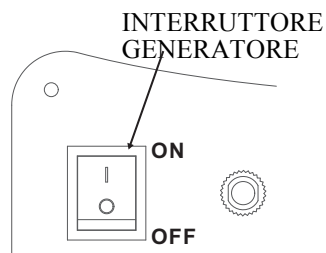


WX7000UK

DESCRIZIONE COMANDI

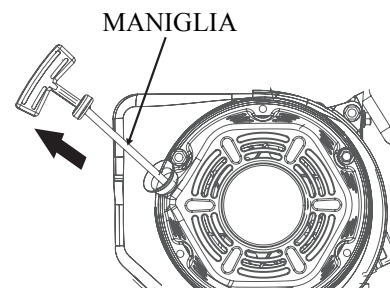
1. INTERRUTTORE GENERATORE

Per accendere o spegnere il motore.



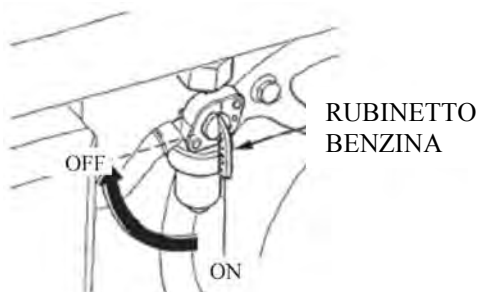
2. AVVIAMENTO A STRAPPO

Per avviare il motore, tirare lentamente la maniglia fino a che non oppone resistenza, poi tirare con forza.



NOTA

Non lasciare che la manopola di avviamento si riavvolga velocemente. Accompagnarla per prevenire danni all'autoavvolgente

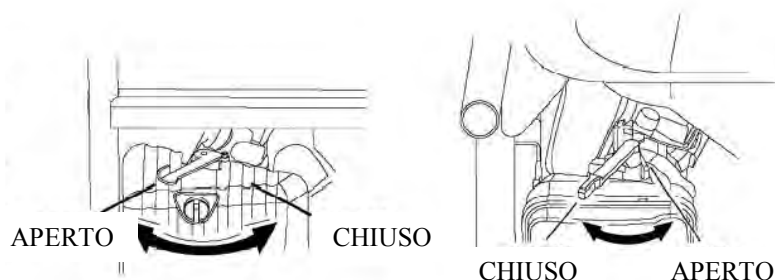


3. RUBINETTO BENZINA

Il rubinetto intercetta il flusso della benzina dal serbatoio al carburatore. Accertarsi di averlo posizionato su OFF dopo aver spento il gruppo.

4. LEVA ARIA MOTORE

La leva dell'aria motore su "CHIUSO" è usata per avere una miscela arricchita di benzina quando il motore parte a freddo. Riportare la leva dell'aria in posizione "APERTO" dopo che il motore si è riscaldato.



5. INTERRUTTORE TERMICO e MAGNETO-TERMICO

Un sovraccarico di corrente farà automaticamente scattare l'interruttore di protezione per evitare corto circuiti o sovraccarichi. Se l'interruttore è in posizione "O" non si ha corrente alle prese. Premere il pulsante o riportare la leva in posizione "I" dopo alcuni minuti. Se l'interruttore scatta ancora aspettare qualche minuto e poi riprovare.

6. ALLARME OLIO MOTORE

L'allarme olio è progettato per prevenire danni al motore causati da una insufficiente quantità di olio nel carter. Quando il livello dell'olio scende sotto al livello di sicurezza, l'allarme olio spegne automaticamente il motore (anche se l'interruttore del generatore rimane in posizione "ON"), in questo modo il motore non si può danneggiare per aver lavorato con un livello di olio insufficiente.

CONDIZIONI DI UTILIZZO

Condizioni di utilizzo del generatore:

Temperatura: $-15^{\circ}\text{C} \sim 40^{\circ}\text{C}$.

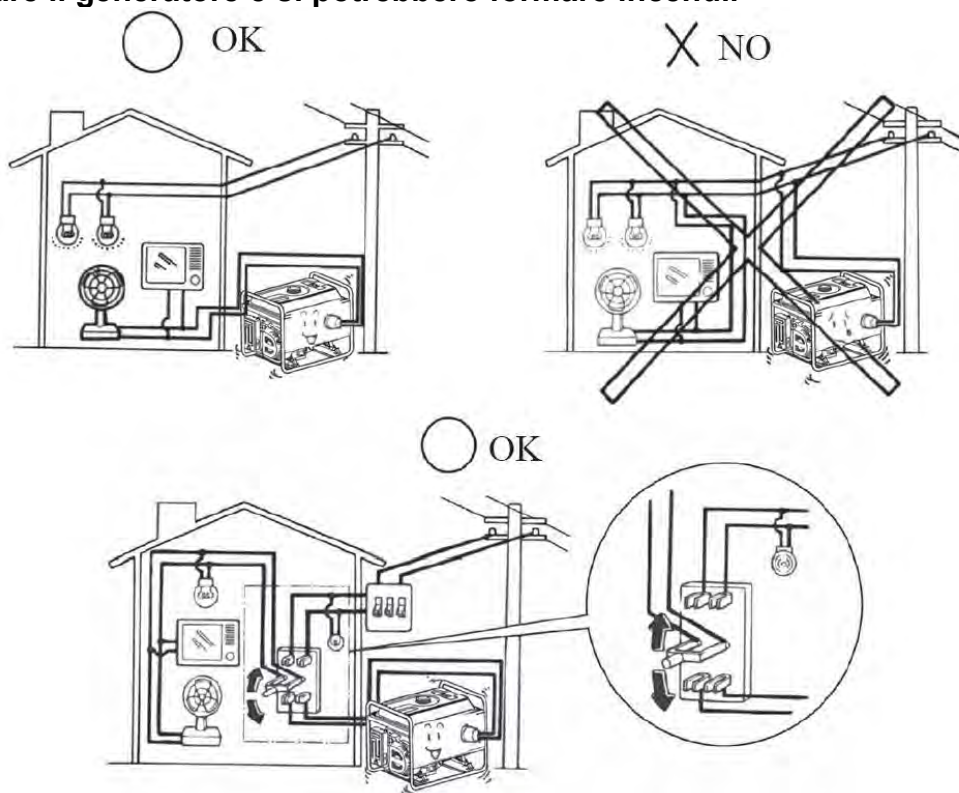
Umidità: minore del 95%.

Altitudine: minore di 1000 m s.l.m. (se il gruppo lavora oltre i 1000 m s.l.m. le prestazioni diminuiscono).

1. COLLEGAMENTO PER L'ALIMENTAZIONE DOMESTICA

NOTA

Quando si utilizza il generatore per l'alimentazione domestica, il collegamento deve essere realizzato da personale tecnico qualificato. Dopo la connessione verificare attentamente che il collegamento sia affidabile e sicuro, altrimenti si può danneggiare il generatore e si potrebbero formare incendi.



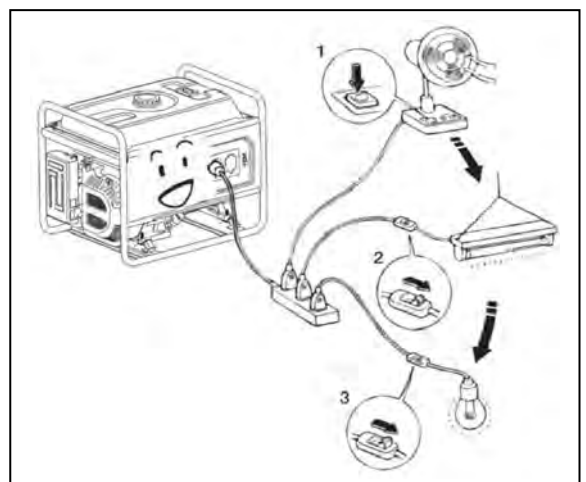
2. UTENZE

Prima di avviare il generatore, accertarsi che la potenza totale del carico da applicare non sia superiore alla potenza prelevabile dal generatore (Carichi resistivi, capacitivi e induttivi)

NOTA

Lavorare in sovraccarico, riduce di molto la vita del generatore.

Quando si devono alimentare più carichi contemporaneamente, collegare prima il carico più grande, poi gli altri carichi fino al più piccolo. In generale, all'avviamento i carichi capacitivi ed induttivi richiedono una potenza molto superiore alla potenza nominale di targa.



3. UTILIZZO AD ELEVATA ALTITUDINE

Ad elevate altitudini, con il carburatore di serie si avrà una miscela eccessivamente ricca. La Potenza prelevabile dal generatore diminuisce e il consumo di carburante aumenta. Le prestazioni del motore possono essere migliorate installando un carburatore col diametro più piccolo e regolando il numero di giri del generatore. Se il gruppo deve lavorare sempre sopra i 1000 m s.l.m. contattare un nostro rivenditore per effettuare la modifica del carburatore.

La Potenza prelevabile dal motore diminuisce approssimativamente del 3.5% ogni 300 metri di altitudine s.l.m. La perdita di potenza sarà ancora maggiore se non viene sostituito il carburatore.

NOTA

Un generatore equipaggiato con carburatore per alta quota, se lavora a bassa quota, lavora con una miscela secca. Questo porta un depotenziamento del gruppo, un surriscaldamento e seri danni al motore.

CONTROLLI PRELIMINARI

1. OLIO MOTORE

NOTA

L'olio è il fattore più importante che incide sulle prestazioni e sulla durata del motore. Olio detergente o per motori a 2-tempi danneggiano il motore. Prima di ogni utilizzo, con il generatore appoggiato su una superficie piana e a motore spento, controllare il livello dell'olio.

Olio raccomandato:

Olio 4-tempi benzina

Classificazione API: SF

o SAE10W-30 o classe equivalente SG.

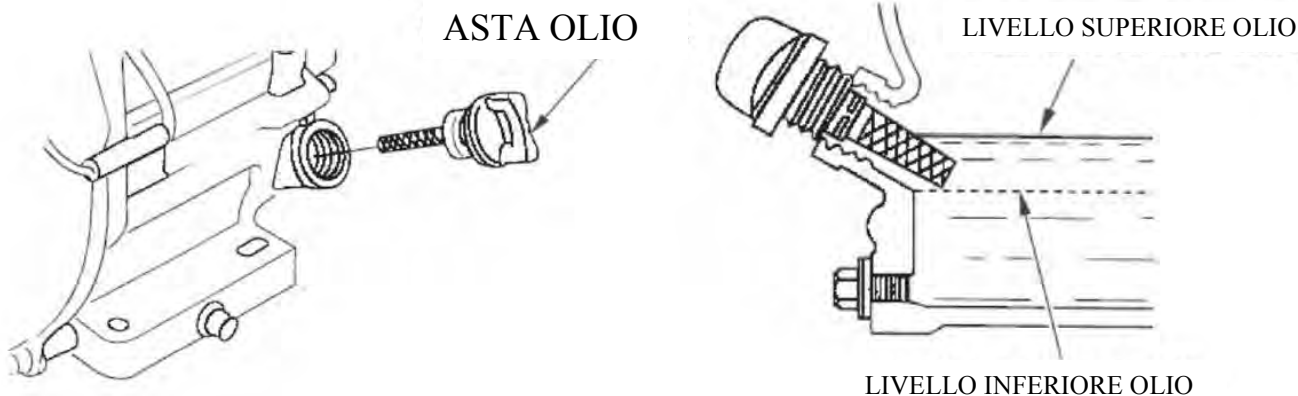
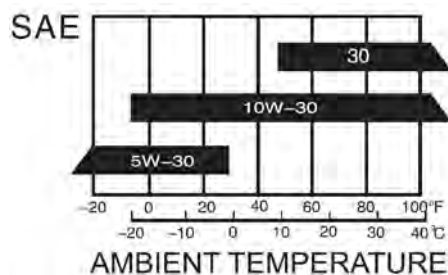
Come controllare il livello dell'olio:

Rimuovere il tappo dell'olio e pulire l'asta.

Per controllare il livello dell'olio inserire l'asta nella sua sede filettata, ma senza avvitarla.

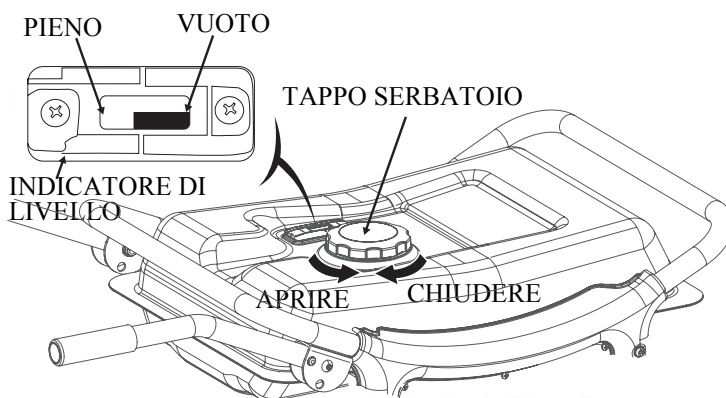
Se il livello è troppo basso, aggiungere l'olio fino al livello superiore indicato nell'asta.

Dopo aver aggiunto l'olio ricordarsi di riavvitare il tappo nella propria sede.

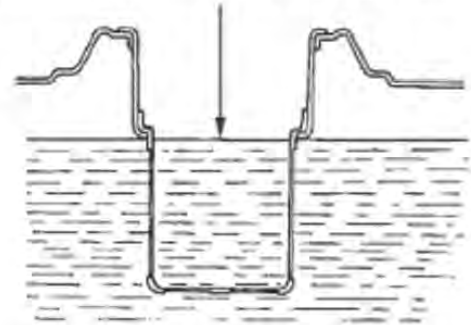


2. BENZINA

1. Controllare l'indicatore di livello della benzina,
2. Riempire il serbatoio quando il livello è troppo basso. Non riempire il serbatoio sopra il livello del filtro.
3. Riavvitare il tappo del serbatoio dopo aver messo benzina.



LIVELLO MASSIMO DI RIEMPIMENTO



FILTRO BENZINA

ATTENZIONE

- **Effettuare il rifornimento in zona ben ventilata e con motore spento. Non fumare o avvicinare fiamme libere nell'area dove si esegue il rifornimento e dove è immagazzinata la benzina.**
- **Non riempire troppo il serbatoio di benzina.**
- **Evitare il contatto diretto del carburante su parti del corpo e non respirarne i vapori.**
- **Tenere fuori dalla portata dei bambini.**
- **Non usare benzina contenente impurità o miscele di benzina e olio.**

Usare benzina con numero di ottani ≥ 90 .

Si consiglia di usare benzina senza piombo, perché produce meno depositi di materiale e prolunga la vita del sistema di scarico.

Non usare mai benzina invecchiata o miscela olio benzina. Evitare che sporczia o acqua entrino nel serbatoio.

AVVIAMENTO DEL GENERATORE

1. AVVIAMENTO MANUALE

1. Togliere tutti i carichi applicati.
2. Girare il rubinetto della benzina in posizione "ON".
3. Posizionare l'interruttore termico o magneto-termico (11) in posizione "Off".
4. Posizionare la leva dell'aria in posizione "CHIUSO".

NOTA

Non chiudere l'aria per avviamenti a motore caldo.

5. Posizionare l'interruttore del generatore (10) in posizione "ON"
6. Tirare la maniglia di avviamento lentamente fino a che non si avverte resistenza, poi tirare bruscamente.
7. Quando il motore è avviato, riportare la leva dell'aria in posizione "APERTO".
8. Non collegare apparecchiature elettriche prima di aver posizionato l'interruttore termico o magneto-termico (11) in posizione "On".

NOTA

Non chiudere l'aria per avviamenti a motore caldo.

4. Ruotare la chiave del generatore (10) verso la posizione "START".
5. Rilasciare la chiave appena il motore si è avviato. In automatico tornerà su "ON".
6. Quando il motore è avviato, riportare la leva dell'aria in posizione "APERTO".

NOTA

Si può danneggiare il motore se la chiave di avviamento viene tenuta per più di 5 secondi in posizione "START". In caso di mancato avviamento attendere 10 secondi tra un avviamento e l'altro.

Se la velocità del motorino di avviamento diminuisce nel tempo, significa che la batteria deve essere ricaricata.

ARRESTO DEL GENERATORE

1. Posizionare l'interruttore termico o magneto-termico (11) in posizione "Off".
2. Posizionare l'interruttore del generatore (10) in posizione "Off".
3. Girare il rubinetto della benzina in posizione "Off".

NOTA

Per spegnere il generatore in caso di emergenza, portare l'interruttore del generatore (11) in posizione "Off".

MANUTENZIONE

Una buona manutenzione è essenziale per il funzionamento sicuro, economico e senza problemi del generatore, essa contribuirà anche a ridurre l'impatto ambientale.



**Spegnere il motore prima di fare qualsiasi manutenzione.
I gas di scarico contengono monossido di carbonio. Quando il motore è acceso, assicurarsi che l'area sia ben ventilata.**

La manutenzione periodica è necessaria per mantenere il generatore in buone condizioni di funzionamento. Eseguire la manutenzione e le ispezioni agli intervalli indicati nella tabella di manutenzione mostrata di seguito:

PROGRAMMA DI MANUTENZIONE		Ogni Uso	Primo Mese o 20 Ore. (3)	Ogni 3 Mesi o 50 Ore. (3)	Ogni 6 Mesi o 100 Ore. (3)	Ogni Anno o 300 Ore. (3)
Olio Motore	Controllare livello	○				
	Cambio		○		○	
Filtro Aria	Controllare	○				
	Pulire			○ (1)		
Coppa sedimenti benzina	Pulire				○	
Candela	Pulire				○	Nuova
Tolleranza Valvole	Controllare - Aggiustare					○ (2)
Copertura Cilindro	Pulire		Ogni 300 Ore			
Serbatoio benzina e filtro	Pulire		Ogni 2 Anni			
Tubi benzina	Sostituire		Ogni 2 Anni (2)			
WX1200–WX3250 Testa del pistone e testa del cilindro	Pulire		Ogni 125 Ore (2)			
WX5500–WX7000 Testa del pistone e testa del cilindro	Pulire		Ogni 250 Ore (2)			

1. Pulire più frequentemente se il generatore è utilizzato in zone molto polverose.
2. Queste operazioni devono essere eseguita da un nostro rivenditore autorizzato.
3. Solo una manutenzione eseguita seguendo i corretti intervalli mostrati in tabella può assicurare un lungo utilizzo del generatore.



**Manutenzione errata, o mancata manutenzione prima di un utilizzo può causare dei malfunzionamenti in cui si può rimanere seriamente lesionati o uccisi.
Eseguire sempre le operazioni di controllo e manutenzione, con gli intervalli elencati sopra.**

1. CAMBIO OLIO MOTORE

Togliere l'olio quando il motore è ancora tiepido, per assicurare un completo e rapido svuotamento.

1. Togliere l'asta dell'olio e svitare il tappo di drenaggio olio, quindi togliere tutto l'olio.
2. Rimettere il tappo di drenaggio e poi serrarlo bene.
3. Riempire con l'olio raccomandato e controllare il livello.

Capacità serbatoio olio: WX1200-WX2200-WX3200-WX3250: 0.6L;
WX5000-WX5500-WX6200-WX6250-WX7000: 1L



AVVERTENZA

Fare riferimento alla scheda di sicurezza dell'olio motore.

Smaltire l'olio secondo la normative vigente

2. MANUTENZIONE FILTRO ARIA

Un filtro dell'aria sporco limiterà il flusso di aria al carburatore. Per evitare malfunzionamenti del carburatore, controllare il filtro dell'aria regolarmente. Controllare più frequentemente se il generatore lavora in aree molto polverose.

AVVERTENZA

Pulire solo con acqua e sapone o con solventi non infiammabili.

NON pulire il filtro dell'aria usando benzina o solventi infiammabili, può causare incendi o esplosioni.

NOTA

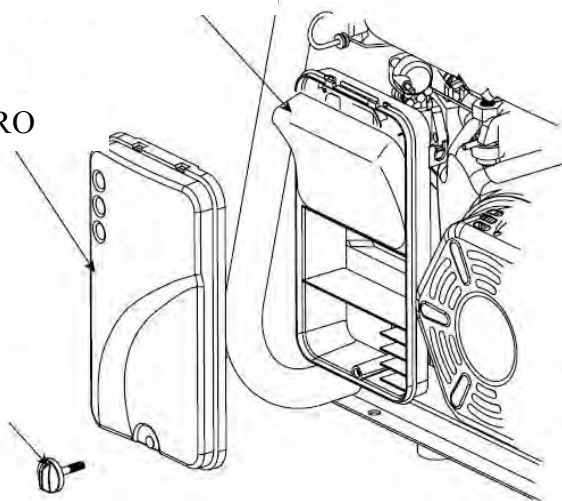
Non fare mai funzionare il generatore senza il filtro dell'aria. In caso contrario il motore avrà un usura veloce.

1. Togliere la vite e rimuovere il copri-filtro. Controllare che il filtro sia pulito.
2. Se il filtro dell'aria è sporco, pulirlo: lavare l'elemento filtrante in una soluzione di acqua calda e sapone, poi risciacquare accuratamente; in alternativa lavarlo con solvente non infiammabile o ad alto punto di infiammabilità; Mettere qualche goccia di olio motore e poi strizzare energicamente.

ELEMENTO FILTRANTE

COPRI FILTRO

VITE



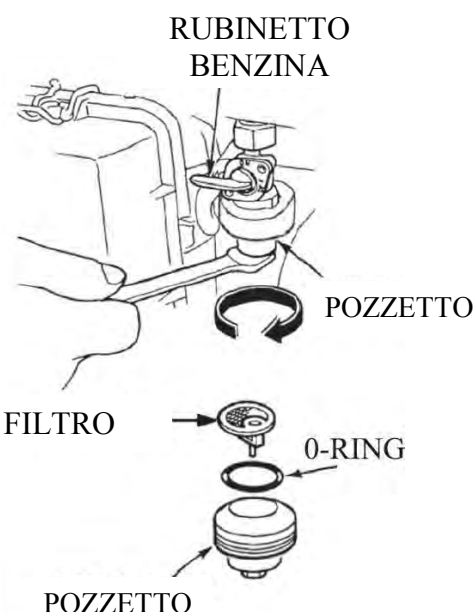
ELEMENTO FILTRANTE



3. Rimontare il filtro e il copri-filtro.

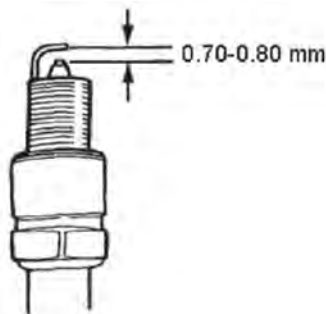
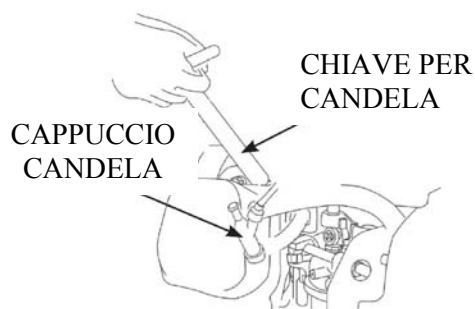
3. PULIZIA COPPA SEDIMENTI BENZINA

1. Ruotare il rubinetto benzina in posizione "Off". Rimuovere il pozzetto del filtro e l'anello ad O-ring, seguendo la direzione della freccia. Lavare il pozzetto, l'anello O-ring ed il filtro con un solvente non infiammabile o ad alto punto di infiammabilità.
2. Riposizionare l'anello O-ring, il filtro e serrare saldamente il pozzetto.
3. Ruotare il rubinetto benzina in posizione "On" e controllare che non ci siano perdite.



4. MANUTENZIONE CANDELA

1. Si raccomanda l'utilizzo di candele: F7RTC o equivalenti
2. Rimuovere il cappuccio della candela.
3. Rimuovere la candela con l'apposita chiave.
4. Ispezionare la candela e se è danneggiata sostituirla con una nuova.
5. Misurare la distanza tra gli elettrodi della candela con uno spessore. Correggere la distanza, se necessario, piegando l'elettrodo laterale. La distanza deve essere: 0.70-0.80 mm.
6. Controllare l'integrità della rondella di tenuta della candela.
7. Avvitare la candela, serrare con apposita chiave fino a comprimere la guarnizione. Installare la candela con precauzione.



NOTA

Utilizzare candele con un grado termico adeguato.

RIMESSAGGIO



**Attendere che il generatore sia freddo prima di immagazzinarlo.
NON toccare parti calde del motore o dello scarico, possono causare bruciature o incendi.**

Se il generatore viene immagazzinato per un lungo periodo, assicurarsi che l'area non sia troppo umida o polverosa.

1. Svuotare il serbatoio di benzina. Pulire il filtro benzina, l'anello O-ring e il pozzetto del filtro dai sedimenti. Rimuovere la benzina dal carburatore allentando il bullone di scarico, poi rimontarlo e serrare il bullone.



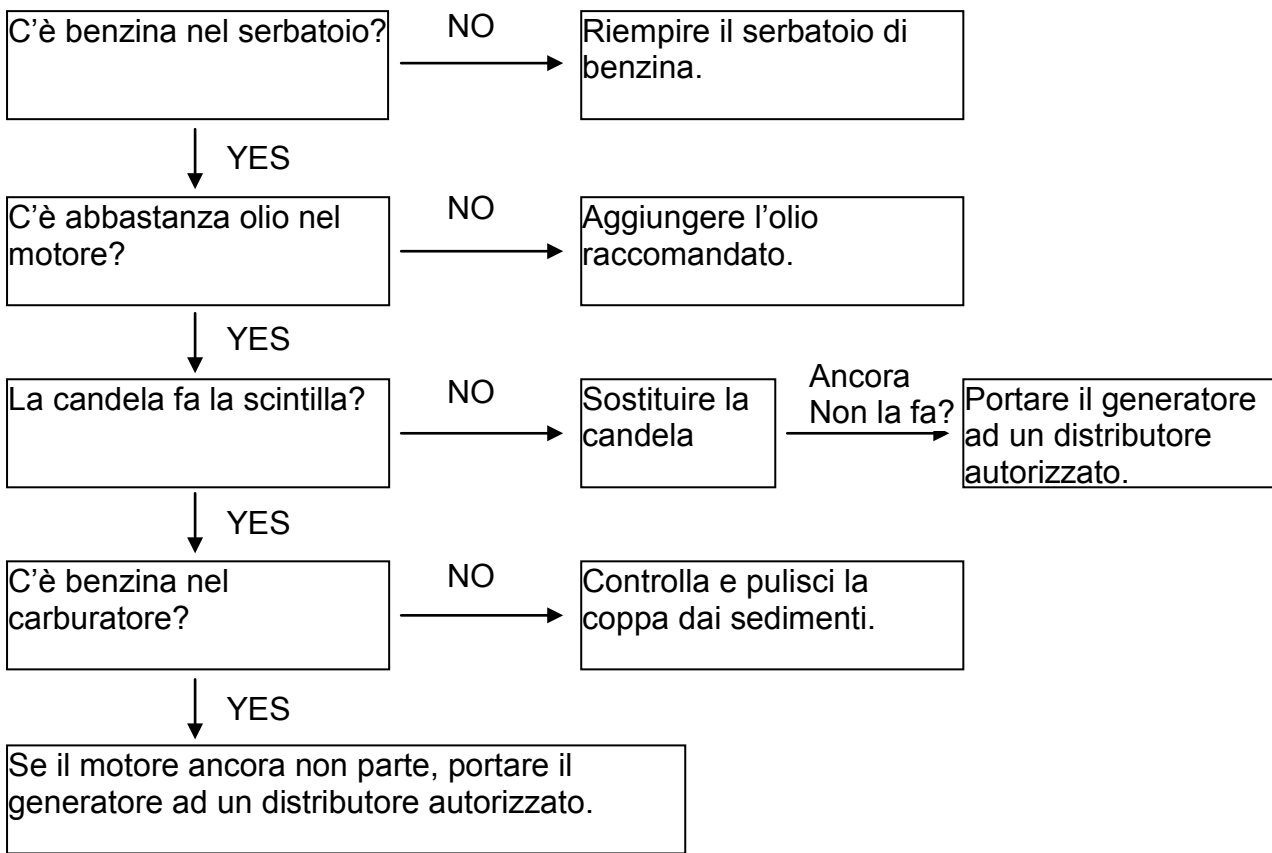
**Rimuovere la benzina dal serbatoio con il motore spento e in una zona ben areata.
Non fumare e non avvicinare fiamme o scintille al generatore durante le operazioni di rimessaggio.**

La benzina è altamente infiammabile ed esplosiva in determinate condizioni.

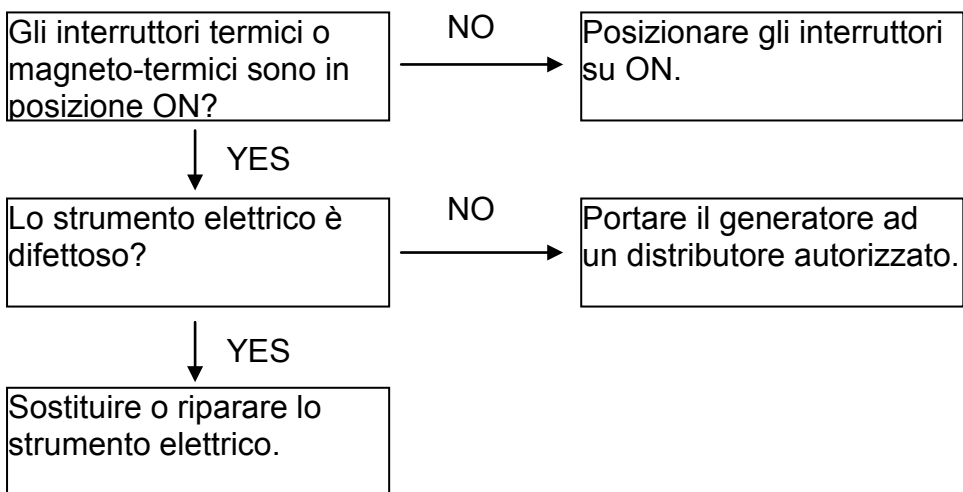
2. Togliere l'asta dell'olio e svitare il tappo di drenaggio, quindi togliere tutto l'olio dal motore. Poi avvitare il tappo di drenaggio e riempire il motore con olio nuovo fino al livello superiore.
3. Togliere la candela e versare un cucchiaino di olio all'interno del cilindro. Tirare la maniglia dell'avviamento a strappo per far eseguire qualche rotazione al motore e distribuire l'olio all'interno del cilindro, infine rimontare la candela.
4. Tirare lentamente la maniglia dell'avviamento fino a sentire resistenza e lasciare le valvole di aspirazione e scarico in posizione chiusa.
5. Posizionare il generatore in un area pulita.

INDIVIDUAZIONE PROBLEMI

IL MOTORE NON SI AVVIA:

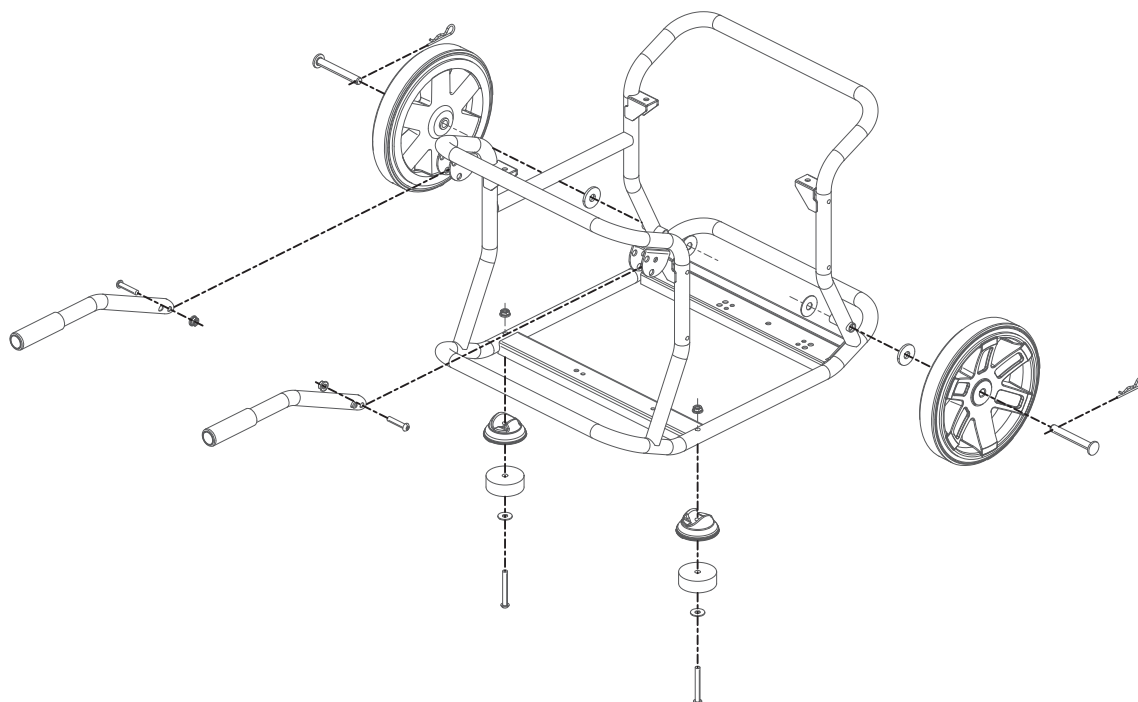
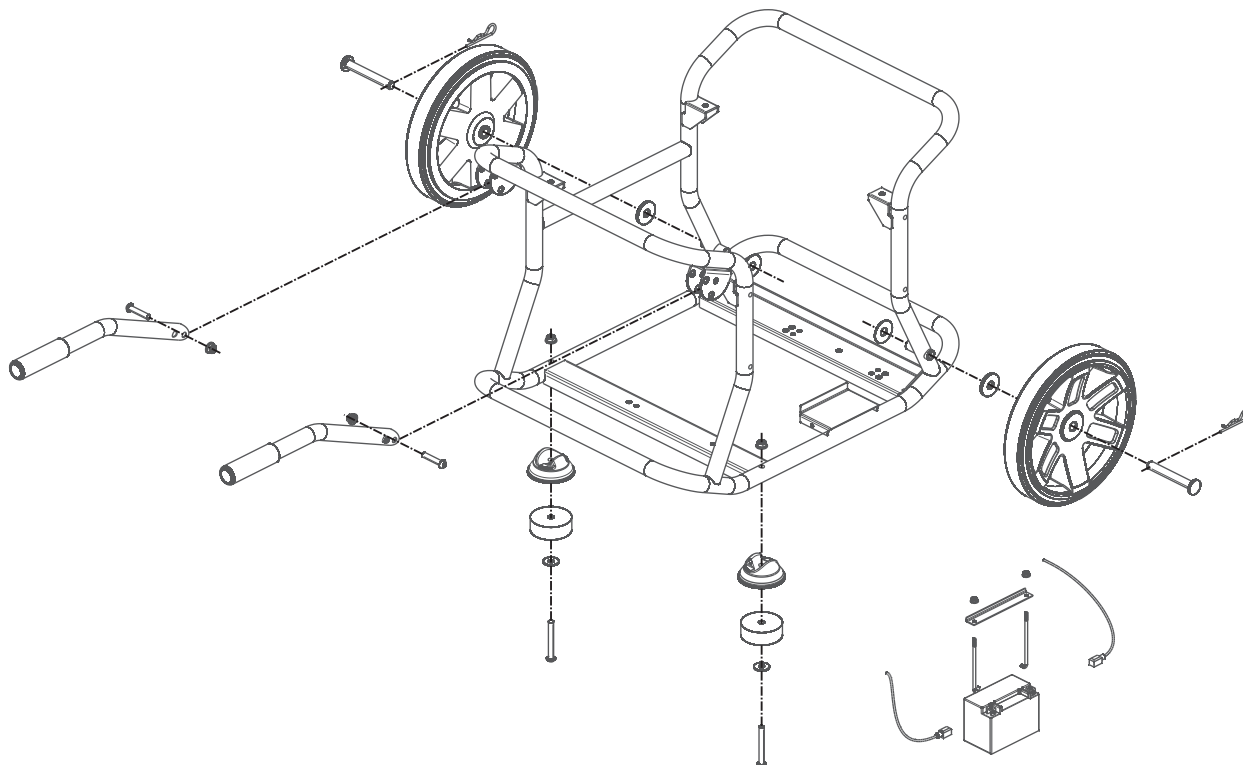


NON ARRIVA TENSIONE ALLA PRESA:



KIT DI TRASPORTO

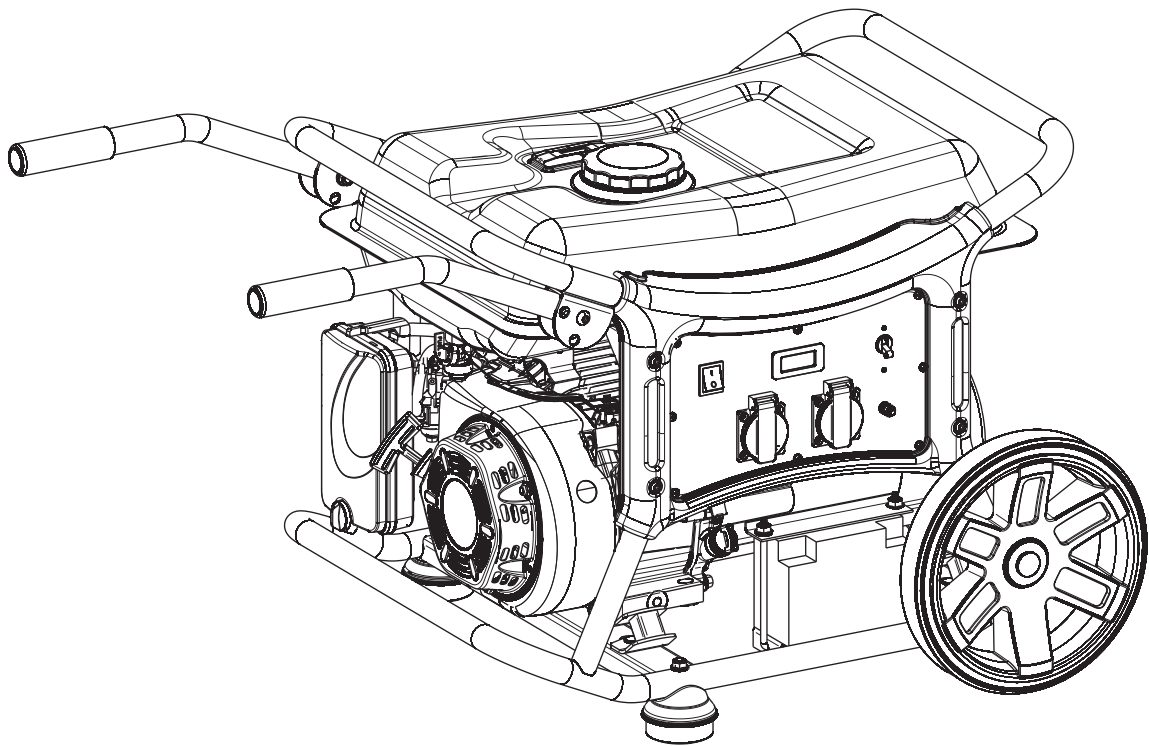
1. Montare le due ruote sull'asse usando rosette e copiglie.
2. Montare l'asse delle ruote nella parte bassa del telaio usando viti e dadi.
3. Fissare le maniglie al telaio con la relativa viteria.





Manuel de l'utilisateur

WX



Nous vous remercions pour avoir choisi un groupe électrogène de notre société.

Ce manuel contient toutes les informations nécessaires à l'utilisation de celui-ci. Veuillez le lire attentivement avant toute utilisation. Une utilisation conforme et qui respecte les normes de sécurité vous aidera à obtenir les meilleurs résultats.

Toutes les informations contenues dans ce manuel correspondent aux dernières informations sur le produit disponibles au moment où ce manuel passe sous presse. Elles peuvent par conséquent être quelques peu différentes par rapport aux composants effectifs de nos groupes à la suite de révisions ou d'autres modifications.

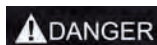
Notre société se réserve le droit d'apporter toute modification, à tout moment, sans aucun avis préalable et sans qu'aucune obligation ne lui soit faite en ce sens. Toute reproduction, même partielle, de ce document est interdite sans le consentement écrit de notre société.

Le présent manuel doit être considéré comme une partie intégrante du groupe électrogène et devra toujours accompagner ce dernier, même en cas de revente.

MESSAGES DE SÉCURITÉ

Votre sécurité ainsi que celle des autres sont très importantes. Nous fournissons d'importants messages de sécurité dans ce manuel ainsi que sur le groupe électrogène. Veuillez lire ces messages très attentivement.

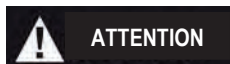
Un message de sécurité avertit des risques potentiels de blessures de l'utilisateur ou de toute autre personne. Tout message de sécurité est précédé d'un symbole de sécurité d'alerte et d'un de ces trois mots: DANGER, AVERTISSEMENT, ou ATTENTION. Ces termes signifient:



BLESSURES MORTELLES ou GRAVES BLESSURES si vous ne respectez pas les instructions.



Risques de BLESSURES MORTELLES ou de GRAVES BLESSURES si vous ne respectez pas les instructions.



Risques de BLESSURES si vous ne respectez pas les instructions.



Risque d'abîmer votre groupe électrogène ou tout autre équipement si vous ne respectez pas les instructions.

PR INDUSTRIAL s.r.l.
Loc. Il Piano
CAP 53031, Casole D'Elsa (SI)
ITALIE

SOMMAIRE

AVIS DE SÉCURITÉ.....	40
REPÉRAGE DES COMPOSANTS.....	41
ORGANES DE COMMANDE.....	43
FONCTIONNEMENT DU GROUPE ÉLECTROGÈNE	44
VÉRIFICATIONS AVANT LA MISE EN SERVICE	45
MISE EN MARCHÉ DU MOTEUR.....	47
ARRÊT DU MOTEUR.	47
ENTRETIEN.	48
REMISAGE.	51
RECHERCHE DE PANNES.	52
KIT DES ROUES.....	53
DÉCLARATION CE	54
PLAQUETTES NUMÉROS DE SÉRIE	54

AVIS DE SÉCURITÉ

1. NORMES DE SÉCURITÉ

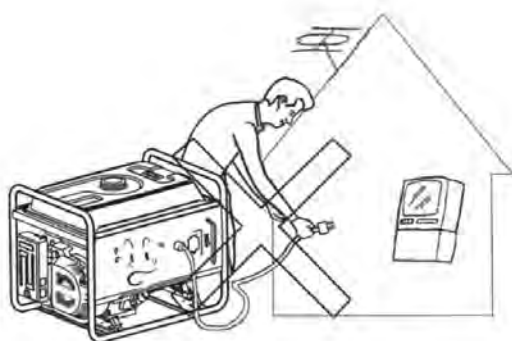
Avant de mettre en marche votre groupe électrogène, il est nécessaire de lire et comprendre parfaitement toutes les informations et les manoeuvres. Vous préviendrez les accidents en connaissant bien les organes de commande de votre groupe et en respectant les procédures opérationnelles.



Ne jamais utiliser le groupe à l'intérieur.



Ne jamais utiliser le groupe en milieu humide



Ne jamais connecter le groupe directement à une prise domestique



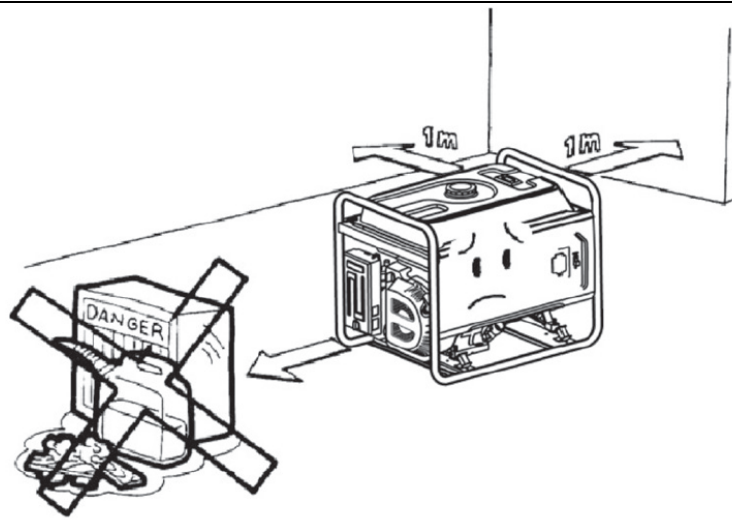
Ne jamais fumer en faisant le plein



Ne jamais déborder en faisant le plein.



Arrêter le moteur avant de refaire le plein

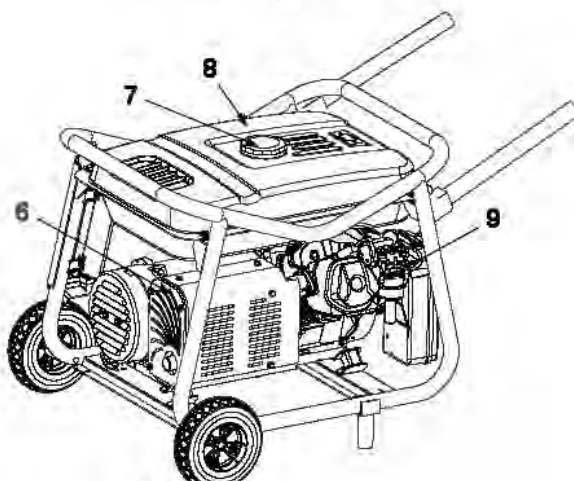
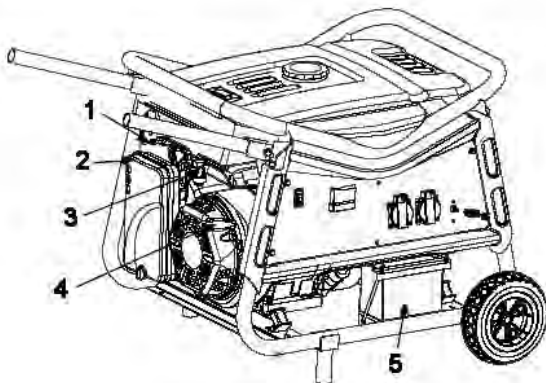


Garder le groupe à au moins 1m de tout matériel inflammable

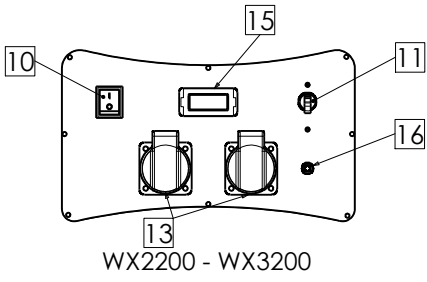
2. EXIGENCES PARTICULIÈRES

- Le matériel électrique, dont les prises et les fils, doit être intact et ne pas présenter de câbles dénudés.
- Les disjoncteurs thermiques et magnétothermiques doivent être spécialement prévus pour le groupe électrogène. Si ces derniers doivent être remplacés, ils doivent l'être par des disjoncteurs ayant des valeurs nominales et des caractéristiques identiques.

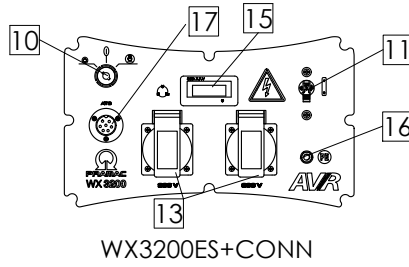
REPÉRAGE DES COMPOSANTS



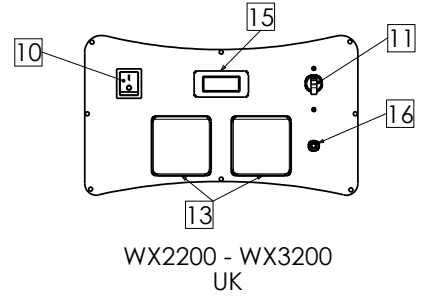
1	MANETTE DU STARTER
2	FILTRE À AIR
3	VANNE DU CARBURANT
4	POIGNÉE DU LANCEUR RÉENROULEUR
5	BATTERIE (ES)
6	SILENCIEUX
7	BOUCHON RÉSERVOIR CARBURANT
8	RÉSERVOIR CARBURANT
9	CARBURATEUR
10	CONNECTEUR GROUPE ÉLECTROGÈNE
11	DISJONCTEUR
12	DISJONCTEUR PRISE
13	SCHUKO
14	PRISES CEE
15	HOROMÈTRE – VOLTMÈTRE – FRÉQUENCIMÈTRE
16	PRISE DE TERRE
17	CONNECTEUR ATS (CONN)



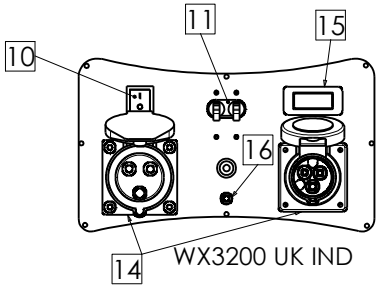
WX2200 - WX3200



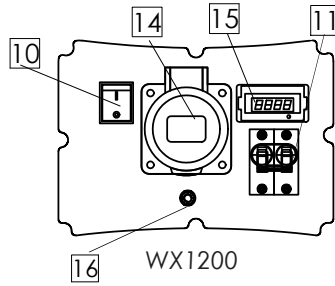
WX3200ES+CONN



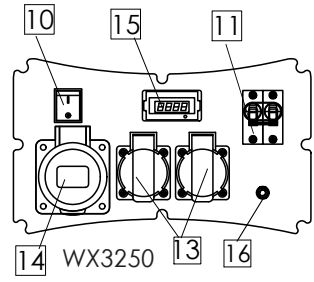
WX2200 - WX3200
UK



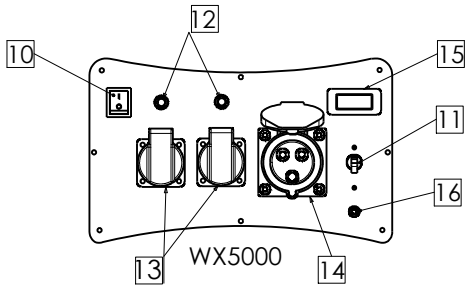
WX3200 UK IND



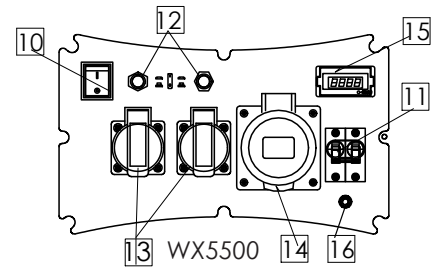
WX1200



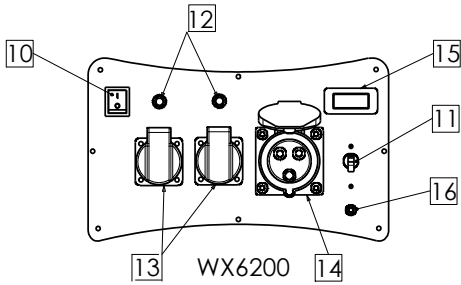
WX3250



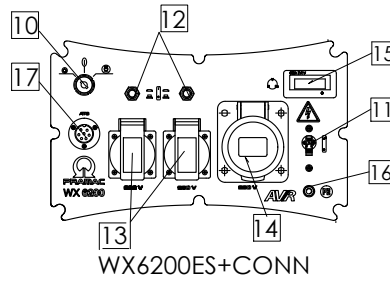
WX5000



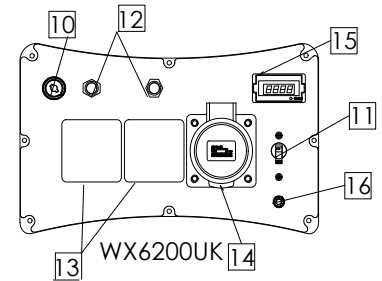
WX5500



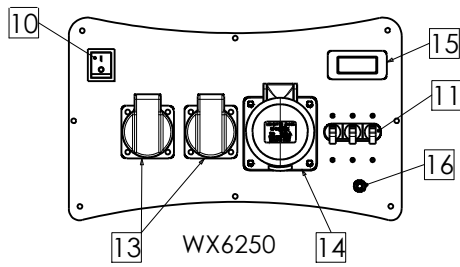
WX6200



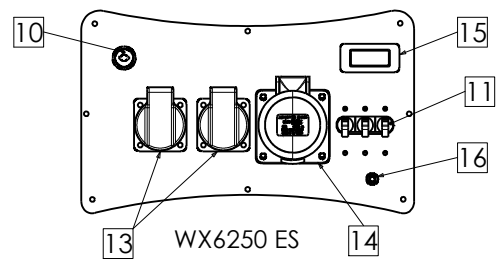
WX6200ES+CONN



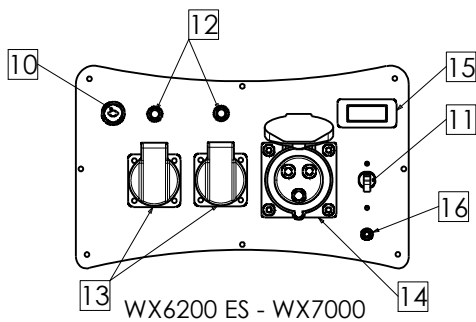
WX6200UK



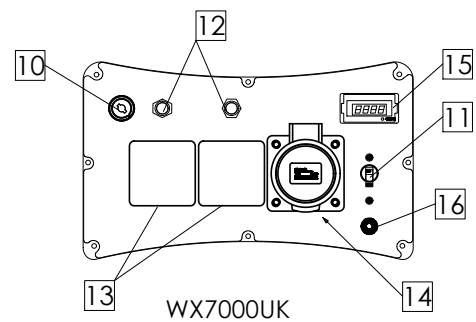
WX6250



WX6250 ES



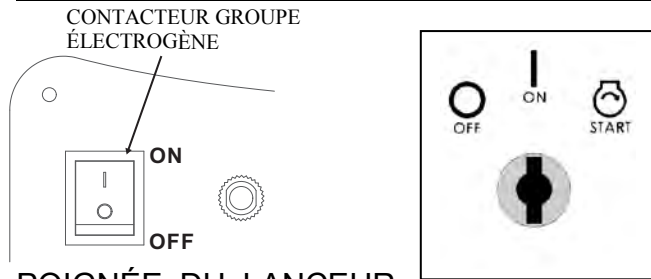
WX6200 ES - WX7000



WX7000UK

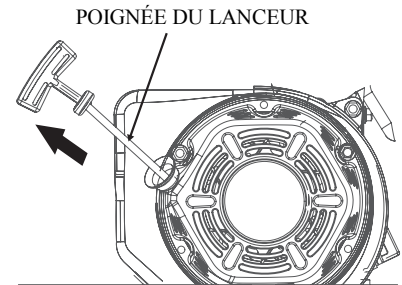
ORGANES DE COMMANDE

1. CONTACTEUR DU GROUPE ÉLECTROGÈNE



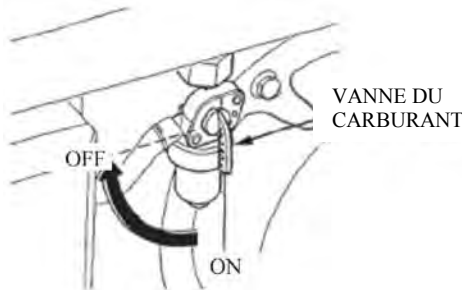
2. POIGNÉE DU LANCEUR RÉENROULEUR

Pour le démarrage, saisir la poignée du lanceur puis tirer lentement jusqu'à rencontrer une légère résistance. Tirer ensuite par un mouvement court et sec.



NOTA

Ne pas lâcher brusquement la poignée du lanceur pour éviter qu'il ne cogne brusquement contre le moteur. Accompagner l'enroulement pour éviter d'endommager le lanceur.

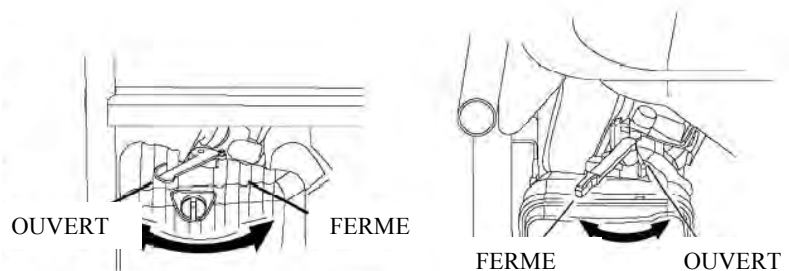


3. VANNE DU CARBURANT

La vanne de carburant contrôle le passage du carburant du réservoir vers le carburateur. Faire attention à bien mettre sur "OFF" la manette après avoir arrêté le moteur.

4. MANETTE DU STARTER

La manette du starter a été prévue pour fournir un mélange de carburant enrichi lorsqu'on démarre avec le moteur à froid. Tirer lentement la manette du starter en position "OPEN" après réchauffement du moteur.



5. DISJONCTEUR C.A. / PROTECTION CONTRE LES SURCHARGES

Tout courant de surcharge déclenche immédiatement le disjoncteur pour éviter tout court-circuit et toute surcharge. Si l'indicateur de surcharge C.A. intervient, le protecteur de surcharge passe à la position "OFF". Remettre le bouton du protecteur de surcharge C.A. sur la position "ON" quelques minutes après. Si le disjoncteur s'éteint (OFF) automatiquement, le rallumer (ON).

6. SÉCURITÉ D'HUILE

Cette sécurité a été spécialement conçue pour prévenir tout dégât au moteur à cause d'un manque d'huile dans le bloc moteur. Lorsque le niveau d'huile dans ce dernier descend en dessous d'un certain seuil, la sécurité d'huile arrête le moteur (même si l'interrupteur du groupe électrogène reste allumé (ON)) et ce, afin d'éviter tout dégât au moteur à cause d'un niveau d'huile insuffisant.

FONCTIONNEMENT DU GROUPE ÉLECTROGÈNE

Environnement pour le fonctionnement du groupe:

Température: $-15^{\circ}\text{C} \sim 40^{\circ}\text{C}$.

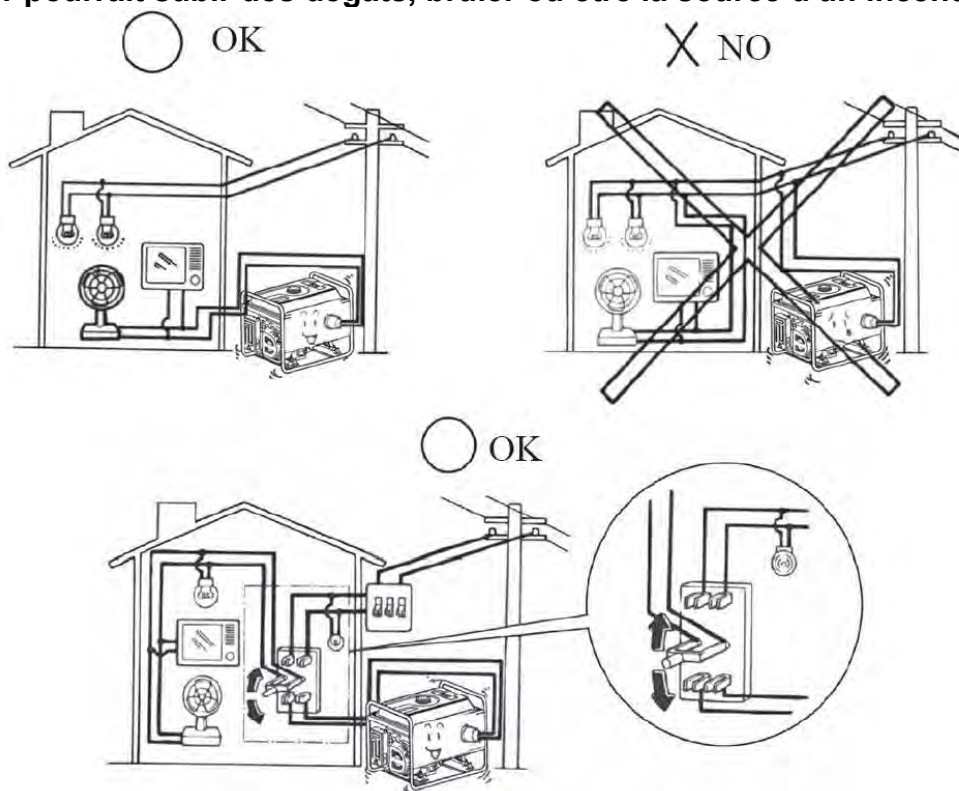
Degré hygrométrique: moins de 95%.

Altitude s/m: moins de 1000 m (si le lieu d'utilisation se trouve à plus de 1000 m, la puissance sera diminuée au cours du fonctionnement).

1. CONNEXION AU RÉSEAU DE DISTRIBUTION DOMESTIQUE

NOTA

La connexion du groupe électrogène au réseau de distribution domestique sera uniquement effectuée par un électricien qualifié. La connexion effectuée, en vérifier le bon état et les conditions de sécurité en l'absence desquelles le groupe générateur pourrait subir des dégâts, brûler ou être la source d'un incendie.



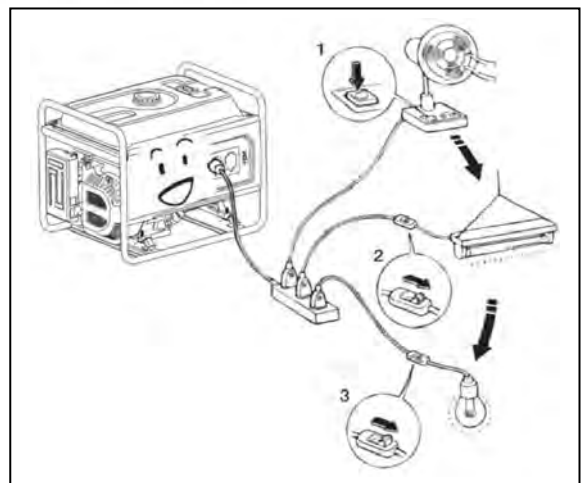
2. COURANT ALTERNATIF

Avant de mettre le groupe électrogène en marche, vérifier que la charge totale de l'appareil (Résistance totale, capacitive et inductive) n'est pas supérieure à la charge nominale du groupe électrogène.

NOTA

Tout fonctionnement en conditions de surcharge risque de réduire considérablement la durée de vie de votre groupe électrogène.

Si vous devez alimenter plusieurs charges simultanément, vous devez d'abord connecter la charge plus importante lourde puis les autres jusqu'à la plus faible.



En général, les engins motorisés avec charge capacitive et inductive, surtout, présentent une charge élevée au démarrage.

3. FONCTIONNEMENT EN HAUTE ALTITUDE

En haute altitude, le mélange carburé du carburateur est trop riche. La puissance dégagée diminue et la consommation de carburant grimpe. On peut améliorer les performances du moteur en installant un gicleur principal de plus petit diamètre sur le carburateur et en réglant la vis pilote. Si le moteur fonctionne toujours à des altitudes de 1000 mètres au-dessus du niveau de la mer, demandez à un revendeur autorisé de notre société d'effectuer cette modification sur le carburateur. Sinon, vous obtiendrez moins de charge pendant le fonctionnement du groupe électrogène. Car même si vous avez un carburateur adéquat, la puissance de votre moteur baissera d'environ 3.5% à chaque élévation de hauteur de 300 m. L'impact de l'altitude sur la puissance dégagée se fera sentir davantage si aucune modification n'est apportée au carburateur.

NOTA

Si le carburateur qui est utilisé à hauteur élevée est équipé d'un moteur convenant aux basses altitudes, le maigre mélange carburé sera à l'origine d'une diminution de la puissance dégagée par le moteur, ce qui provoquera une surchauffe et des dégâts sérieux.

VÉRIFICATIONS AVANT LA MISE EN SERVICE

1. NIVEAU D'HUILE DU MOTEUR

NOTA

L'huile moteur est un élément essentiel pour les bonnes performances et la longévité de votre groupe électrogène. Les huiles moteur non détergentes et 2 temps endommageront le moteur et sont dès lors à déconseiller. Avant chaque démarrage vérifier le niveau d'huile moteur. La vérification se fera le groupe posé sur une surface horizontale avec moteur arrêté.

Huile conseillée

Huile pour moteur essence 4 temps

API Service classe SF

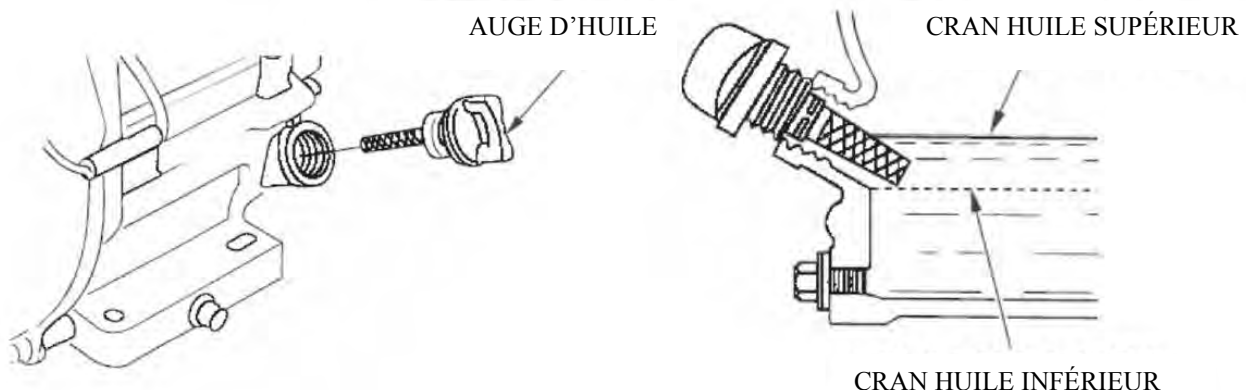
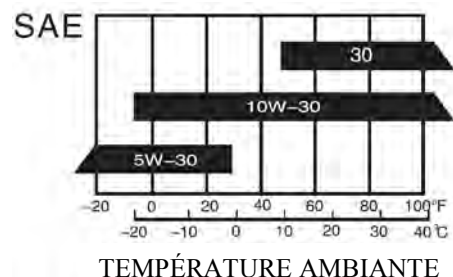
ou SAE 10W-30 ou classe SG équivalente.

Méthode pour vérifier le niveau d'huile:

Retirer le bouchon de remplissage et essuyer la jauge de niveau. Contrôler le niveau d'huile en introduisant la jauge dans le col de remplissage sans la visser.

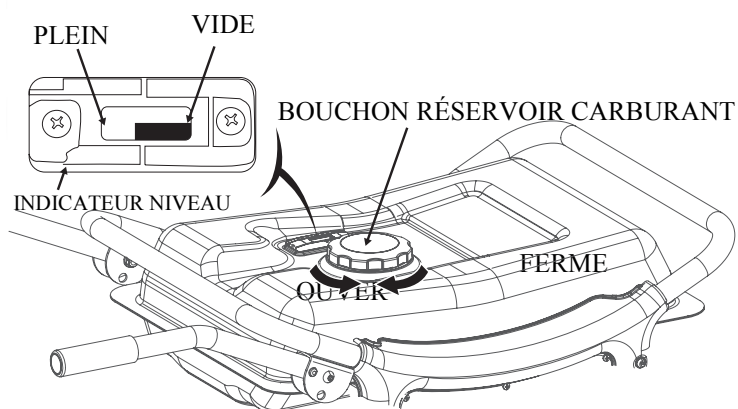
Si le niveau d'huile est bas, faire l'appoint jusqu'au cran supérieur de la jauge.

Après avoir fait l'appoint, n'oubliez pas de remettre la jauge en place et de la revisser.

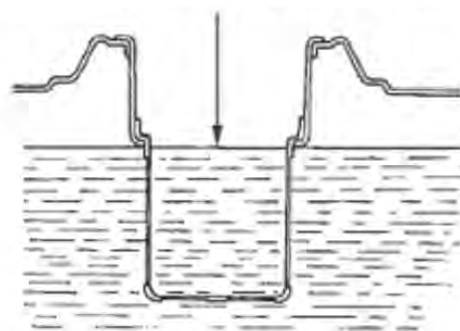


2. CARBURANT

1. Contrôler l'indicateur de niveau de carburant.
2. Faire le plein si le niveau de carburant est bas. Ne pas dépasser le niveau de l'épaule du décanteur.
3. Après avoir fait le plein, remettre le bouchon de remplissage et le visser.



NIVEAU MAXIMAL CARBURANT



DECANTER CARBURANT



- **Faire le plein dans un endroit bien aéré et avec moteur à l'arrêt. Ne pas fumer ou approcher de flammes vives ou d'étincelles près du lieu où le plein est effectué ou près du lieu de stockage du carburant.**
- **Ne pas trop remplir le réservoir.**
- **Éviter tout contact prolongé avec la peau ou toute respiration prolongée des vapeurs.**
- **Ne pas garder à la portée des enfants.**
- **N'utiliser que de l'huile ou un mélange d'essence propres, sans impuretés.**

Utiliser de l'essence à ≥ 90 octanes.

Nous conseillons l'essence sans plomb qui produit moins de dépôts au niveau du moteur et de la bougie et qui assure une meilleure longévité du système d'échappement.

Ne jamais utiliser de l'huile ou un mélange huile/essence contaminé ou usé. Éviter toute présence d'eau ou de dépôts dans le réservoir.

MISE EN MARCHÉ DU MOTEUR

1. LANCEUR RÉENROULEUR

1. Enlever toute charge.
2. Mettre la vanne de carburant sur la position "ON".
3. Tourner le disjoncteur C.A. sur "OFF".
4. Tourner la manette du starter sur la position "FERMÉ".

NOTA

Ne fermez jamais le starter lorsque vous mettez le moteur en marche à chaud

5. Placer le contacteur du groupe électrogène sur la position "ON".
6. Saisir la poignée du lanceur puis tirer lentement sur celle-ci jusqu'à sentir une certaine résistance puis tirer avec un coup vif.
7. Lorsque le moteur est chaud, mettre la manette du starter sur la position "OPEN".
8. N'utilisez jamais d'appareils électriques avant de mettre le disjoncteur sur la position ON.

NOTA

Ne fermez jamais le starter lorsque vous mettez en marche le moteur à chaud.

4. Tourner le contacteur du groupe électrogène à la position Mise en marche électrique.
5. Après la mise en marche du moteur, libérer immédiatement le contacteur du groupe électrogène; ce dernier retournera automatiquement à la position 'ouvert'.
6. Mettre la manette du starter à la position "OUVERT" après que le moteur est chaud.

NOTA

Mettre le contacteur du groupe électrogène sur la position Mise en marche électrique pendant plus de 5 secondes peut endommager le démarreur. S'il ne démarre pas, libérez le contacteur et attendre 10 secondes avant de remettre en marche.

Si la vitesse du démarreur baisse après un certain temps, il faut recharger la batterie.

ARRÊT DU MOTEUR

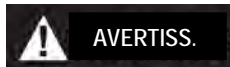
1. Mettre le disjoncteur C.A. sur la position OFF.
2. Mettre le contacteur du groupe électrogène sur la position OFF.
3. Mettre la vanne de carburant sur la position OFF.

NOTA

Pour arrêter le moteur d'une façon urgente, placer le contacteur du groupe électrogène sur la position OFF.

ENTRETIEN

Un bon entretien est une condition essentielle pour un fonctionnement en toute sécurité, économique et sans problèmes. Il réduit également l'impact sur la pollution de l'air ambiant.



Les gaz d'échappement contiennent du monoxyde de carbone qui est toxique. Éteignez toujours le moteur avant d'effectuer tout entretien. Si le moteur doit tourner, assurez-vous que l'environnement dans lequel il se trouve est bien aéré.

Un entretien et des mises au point ponctuels sont nécessaires si vous voulez conserver votre groupe électrogène dans de bonnes conditions de fonctionnement. Pour la fréquence de l'entretien et les opérations à effectuer, voir le programme d'entretien qui suit:

PÉRIODE D'ENTRETIEN RÉGULIER		A chaque utilisation	Premier mois ou 20 heures (3)	Tous les 3 mois ou 50 heures (3)	Tous les 6 mois ou 100 heures (3)	Chaque année ou 300 heures (3)
Huile moteur	Vérifier le niveau	○				
	Renouveler		○		○	
Filtre à air	Vérifier	○				
	Nettoyer			○ (1)		
Cuvette de sédimentation	Nettoyer				○	
Bougie d'allumage	Nettoyer				○	Renouveler
Soupape	Vérifier-régler					○ (2)
Couvercle du cylindre	Nettoyer	toutes les 300 heures (2)				
Réservoir et décanteur	Nettoyer	tous les 2 ans (2)				
Conduit carburant	Remplacer	tous les 2 ans (2)				
WX1200–WX3250 Culasse et tête du piston	Nettoyer les charbons	toutes les 125 heures (2)				
WX5500–WX7000 Culasse et tête de piston	Nettoyer les charbons	toutes les 250 heures (2)				

1. Les intervalles d'entretien seront plus courts si le groupe électrogène est utilisé dans un environnement poussiéreux.
2. L'entretien sera effectué par un revendeur autorisé de groupes électrogènes.
3. En cas d'utilisation plus fréquente, un entretien effectué avec les intervalles indiqués ci-dessus assurera une utilisation à long terme de votre groupe électrogène.



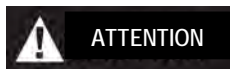
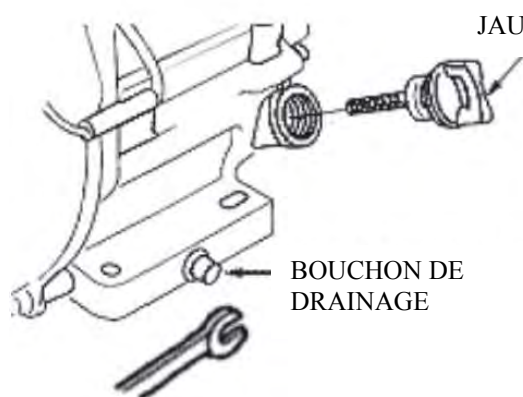
**Tout entretien non conforme ou ne pas résoudre un problème avant la mise en marche peut être la source de dysfonctionnements qui risque de provoquer de blessures graves, voire mortelles.
Toujours respecter les consignes d'entretien et de contrôle données dans ce livret.**

1. RENOUEMNT DE L'HUILE MOTEUR

Vidangez l'huile lorsque le moteur est encore chaud afin d'assurer une vidange rapide et complète.

1. Enlever la jauge d'huile et le bouchon de vidange pour vidanger l'huile.
2. Remettre et resserrer à fond le bouchon de vidange.
3. Faire le plein d'huile et vérifier le niveau.

Capacité huile: WX1200-WX2200-WX3200-WX3250: 0.6 l.
WX5000-WX5500-WX 6200-WX6250-WX7000: 1 l.

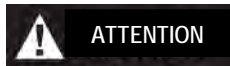


Voir la fiche correspondante.

Éliminer l'huile usée selon la législation locale

2. ENTRETIEN DU FILTRE À AIR

Un filtre à air encrassé réduit l'arrivée d'air au carburateur. Afin d'éviter tout mauvais fonctionnement du carburateur, il y a lieu de procéder à un entretien régulier de celui-ci. Multiplier les intervalles d'entretien si le groupe électrogène fonctionne dans un environnement très poussiéreux.



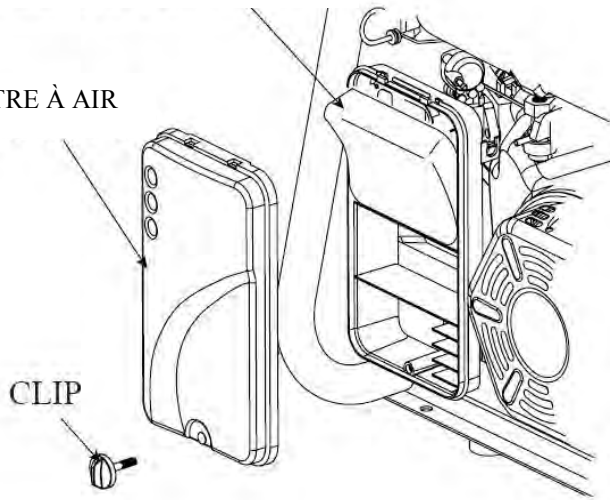
Ne jamais utiliser de l'essence ou un produit inflammable pour nettoyer les composants du filtre : un incendie ou une explosion peut en résulter. N'utilisez que de l'eau savonnée ou un solvant non inflammable.

NOTA

Ne jamais faire fonctionner le groupe électrogène sans son filtre à air, pour ne pas provoquer une usure rapide du moteur.

1. Ouvrir le clip du filtre à air et ouvrir le couvercle. Vérifier soigneusement la mousse du filtre et nettoyer.
2. Si l'élément en mousse du filtre est encrassé, le nettoyer: Laver avec un détergent ménager et de l'eau chaude puis rincer soigneusement ou nettoyer avec un solvant non inflammable ou avec un point d'éclair élevé: Verser quelques gouttes d'huile

COUVERCLE DU FILTRE À AIR

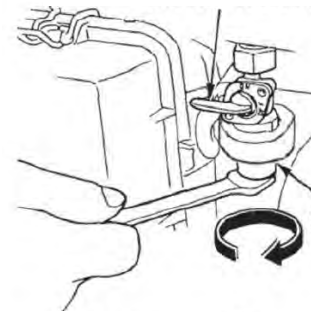


CLIP

ELEMENT



VANNE DE CARBURANT



SÉDIMENT

DÉCANTEUR

O-RING

SEDIMENT



3. Réinstaller le filtre et le couvercle.

3. ENTRETIEN DE LA CUVETTE DE SÉDIMENTATION

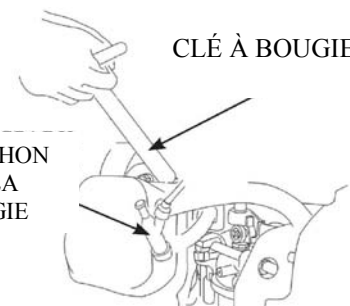
1. Tourner la vanne du carburant sur la position OFF. Enlever la cuvette de sédimentation, le joint torique et le décanteur dans le sens indiqué par la flèche.
2. Nettoyer la cuvette de sédimentation, le joint torique et le décanteur avec un solvant non inflammable ou un point d'éclair élevé.
3. Réinstaller le joint torique, le décanteur et la vis sur la cuvette de sédimentation.
4. Tourner la vanne du carburant sur ON et contrôler qu'il n'y ait pas de fuites.

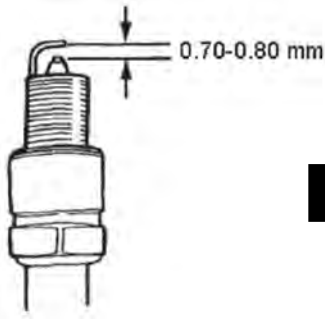
4. ENTRETIEN DE LA BOUGIE D'ALLUMAGE

1. Bougies d'allumage conseillées: F7RTC ou équivalentes
2. Déposer le capuchon de la bougie d'allumage.
3. A l'aide d'une clé à bougie déposer la bougie d'allumage.
4. Inspecter visuellement la bougie d'allumage et contrôler si l'isolant est fendu ou écaillé. Si oui, remplacer avec une bougie neuve.
5. Mesurer l'écartement des électrodes à l'aide d'un calibre épaisseur. Le cas échéant, corriger l'écartement en pliant doucement les électrodes. l'écartement doit être de: 0.70-0.80 mm.
6. Vérifier que la rondelle de la bougie d'allumage est en bon état.
7. Remettre la bougie en place comme il se doit et la serrer à l'aide d'une clé à bougie pour comprimer la rondelle.

CLÉ À BOUGIE

CAPUCHON DE LA BOUGIE





NOTA

Utiliser une bougie d'allumage avec la plage de température adéquate.

REMISAGE

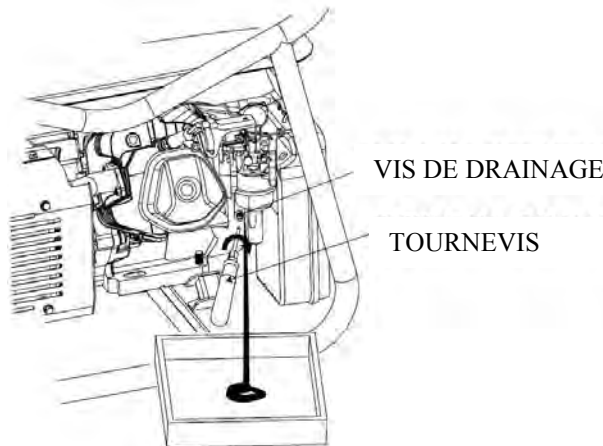


AVERTISS.

NE touchez jamais les parties chaudes du moteur ou du système d'échappement: vous risquez des brûlures ou un incendie. Laisser toujours refroidir le moteur avant de stocker le groupe électrogène.

Si on prévoit d'inutiliser le groupe électrogène pendant une longue durée, s'assurer que le lieu de remisage n'est pas poussiéreux ou humide.

1. Vidanger le réservoir du carburant, nettoyer le décanteur, le joint torique et la cuvette de sédimentation puis les remettre en place. Vidanger complètement le carburateur et desserrant la vis de drainage, la remettre en place et serrer l'écrou du carburateur.



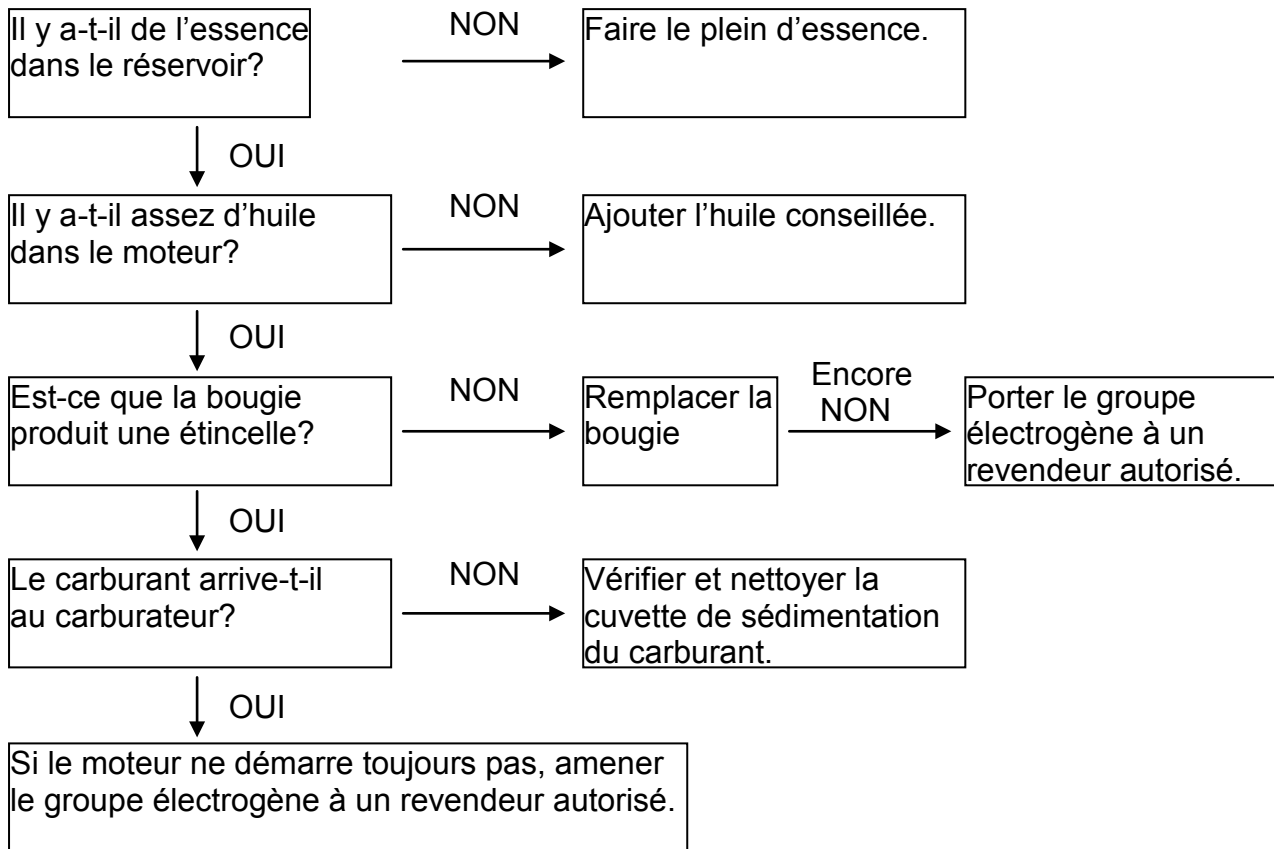
AVERTISS.

L'essence est un produit extrêmement inflammable et explosif dans certaines conditions. Faites toujours la vidange du carburant dans un environnement bien aéré avec le moteur à l'arrêt. Ne pas fumer ou approcher une flamme ou une étincelle pendant toute cette procédure.

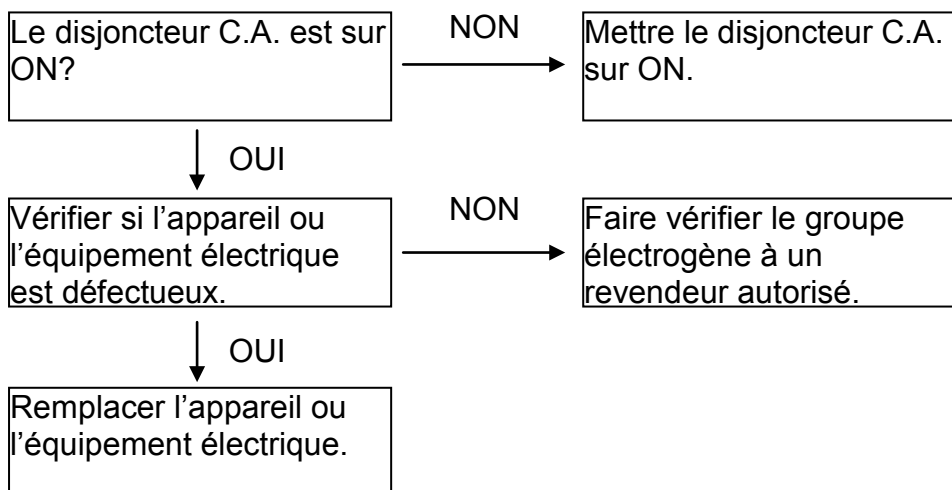
2. Dévisser la jauge d'huile et dévisser la vis de drainage du bloc moteur pour vidanger complètement l'huile. Déposer la vis de drainage et remplir avec de l'huile neuve jusqu'au cran supérieur avant de remettre à sa place la jauge d'huile.
3. Enlever la bougie d'allumage et verser environ une cuillère à soupe d'huile moteur propre dans le cylindre. Faire faire quelques tours au moteur pour distribuer l'huile partout puis remettre la bougie à sa place.
4. Tirer doucement sur la poignée du lanceur jusqu'à sentir une résistance (fermeture des soupapes d'admission et d'échappement).
5. Stocker le groupe électrogène dans un endroit propre.

RECHERCHE DE PANNES

LE MOTEUR NE DÉMARRE PAS:

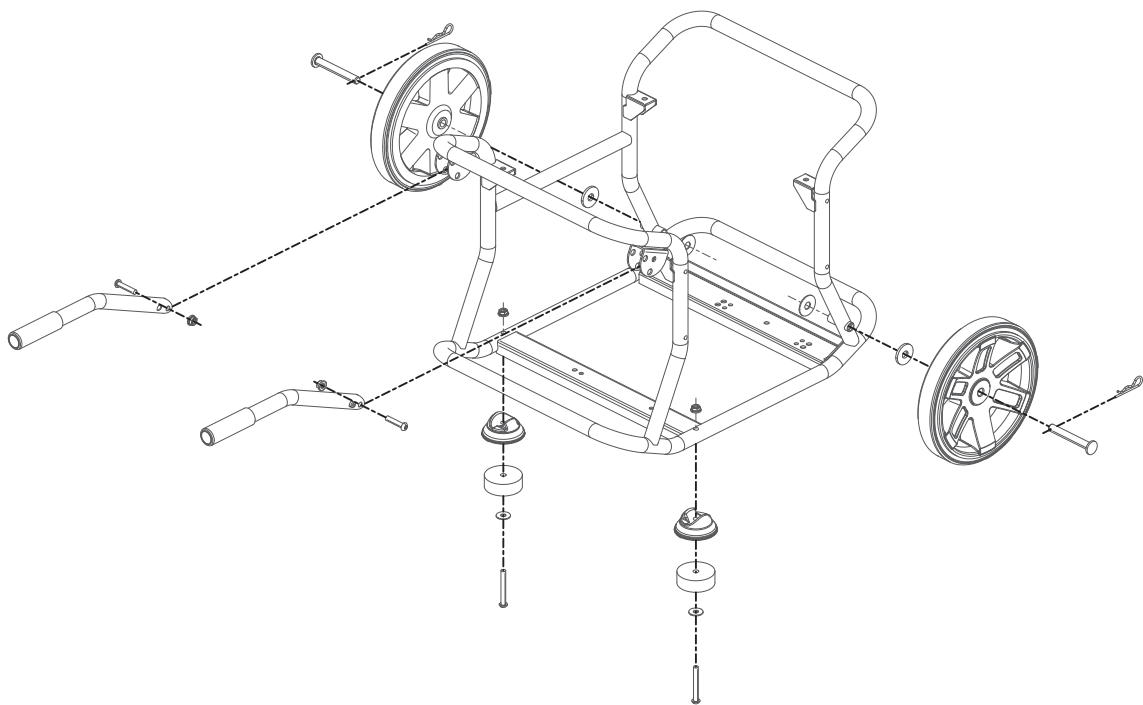
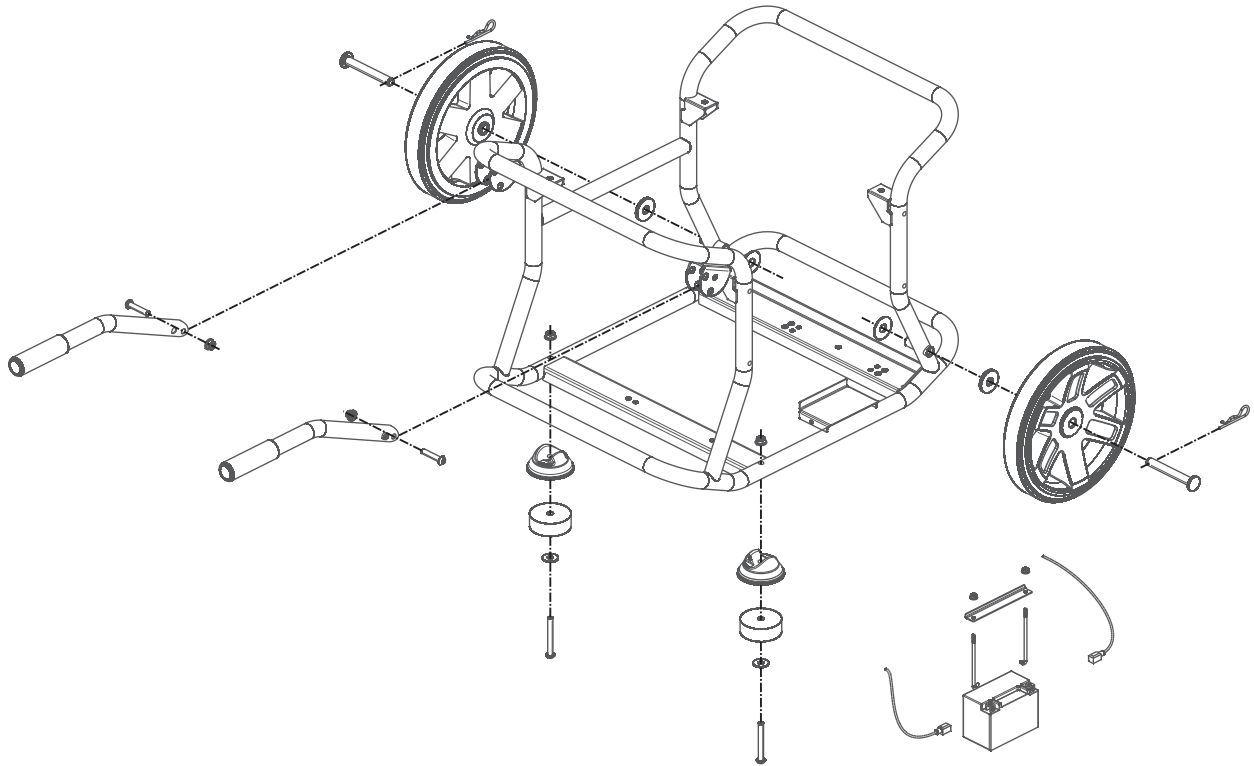


PAS DE COURANT ÉLECTRIQUE:



KIT DES ROUES

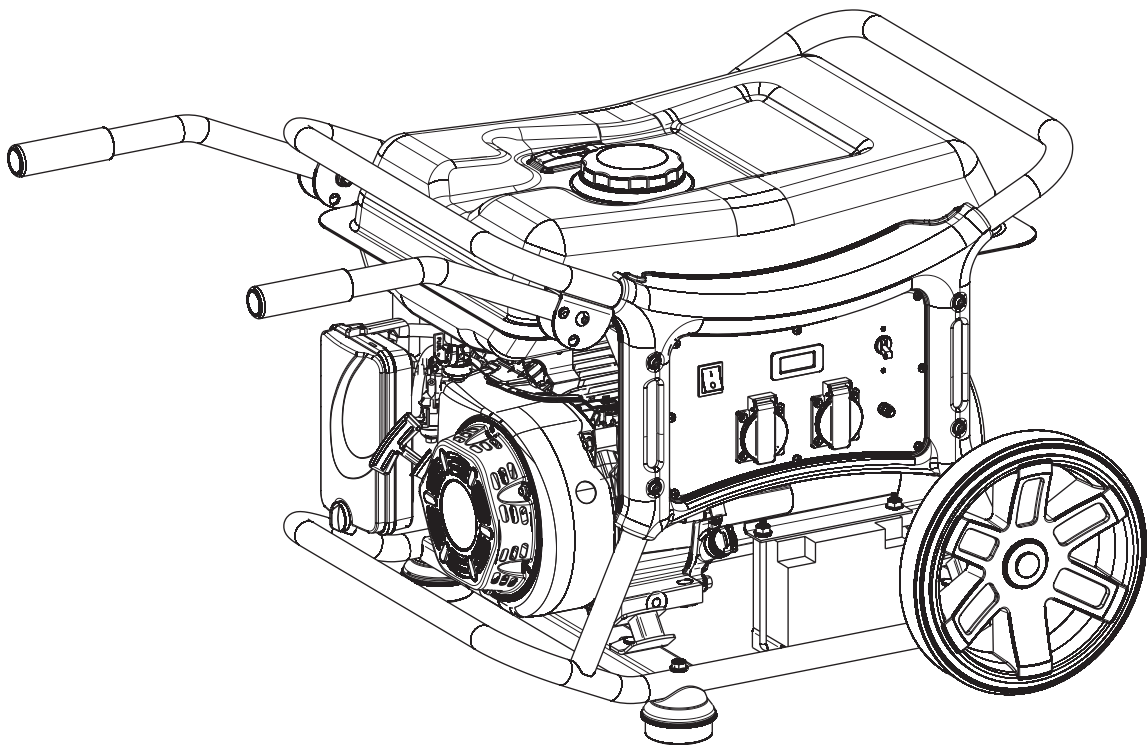
1. Installer les deux roues sur l'arbre des roues à l'aide des joints et des goupilles prévus à cet effet.
2. Installer la roue sur la plaque de fond du châssis du groupe électrogène à l'aide des boulons et des écrous.
3. Fixer la poignée sur le châssis.





Manual del Usuario

WX



Gracias por haber elegido un grupo electrógeno de nuestra producción.

Este manual contiene información relativa a la operación del producto que ha adquirido: por favor, léalo con atención antes de usar su grupo electrógeno. Una operación correcta y en condiciones de seguridad le permitirá obtener el mejor resultado técnicamente posible de este equipo.

Toda la información incluida en este documento está basada en los últimos datos relativos al producto disponibles al momento de su edición. Tenga presente que la información contenida en este manual puede diferir de la aplicable a su producto específico en virtud de posibles revisiones y/o modificaciones aportadas tras su impresión.

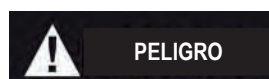
Nuestra empresa se reserva el derecho de aportar modificaciones en cualquier momento sin previo aviso y sin que por ello pueda derivar obligación, compromiso y/o responsabilidad alguna. Queda terminantemente prohibido reproducir este documento parcial o totalmente sin la debida autorización escrita de la empresa.

Este manual ha de considerarse parte integrante del grupo electrógeno, por lo que debe entregarse junto con el mismo en caso de su cesión y/o venta a un nuevo usuario.

MENSAJES DE SEGURIDAD

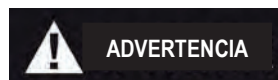
Recuerde que tanto su seguridad como la de las demás personas son de una relevancia inestimable. Es por ello que hemos incluido mensajes de seguridad importantes en este manual y aplicado etiquetas con mensajes de seguridad específicos en el grupo electrógeno. Por favor, lea todos estos mensajes con la debida atención.

Los mensajes de seguridad le proporcionan información específica con el fin de alertarlo sobre ciertos peligros potenciales que podrían derivar en daño y/o perjuicio de su propia persona y/o de Terceros. Cada mensaje de seguridad se identifica con un símbolo característico que lo precede y una de las siguientes palabras: PELIGRO, ADVERTENCIA o PRECAUCIÓN, debiendo interpretarse según le indicamos a continuación.



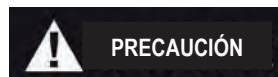
PELIGRO

Certeza de MUERTE o LESIONES GRAVES en caso de no respetar las instrucciones dadas.



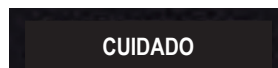
ADVERTENCIA

Posibilidad de MUERTE o LESIONES GRAVES en caso de no respetar las instrucciones dadas.



PRECAUCIÓN

Posibilidad de LESIONES GRAVES en caso de no respetar las Instrucciones dadas.



CUIDADO

Posibilidad de daño a su grupo electrógeno y/u otros daños materiales en caso de no respetar las instrucciones dadas.

PR INDUSTRIAL s.r.l.
Loc. Il Piano
53031 - Casole D'Elsa (SI)
ITALIA

ÍNDICE

CONSIDERACIONES GENERALES Y PARTICULARES DE SEGURIDAD	58
IDENTIFICACIÓN DE LOS COMPONENTES DEL GRUPO ELECTRÓGENO	60
FUNCIÓN DE LOS COMPONENTES PRINCIPALES	61
OPERACIÓN DEL GENERADOR.....	62
CONTROLES PRELIMINARES.....	63
PUESTA EN MARCHA DEL MOTOR.....	65
PARADA DEL MOTOR	65
MANTENIMIENTO	66
ALMACENAMIENTO	71
ANÁLISIS Y SOLUCIÓN DE PROBLEMAS OPERATIVOS	72
KIT DE RUEDAS PARA TRANSPORTE.....	73
DECLARACIÓN CE DE CONFORMIDAD.....	74
PLACA DE IDENTIFICACIÓN DEL GRUPO ELECTRÓGENO	74

CONSIDERACIONES GENERALES Y PARTICULARES DE SEGURIDAD

1. PAUTAS DE SEGURIDAD

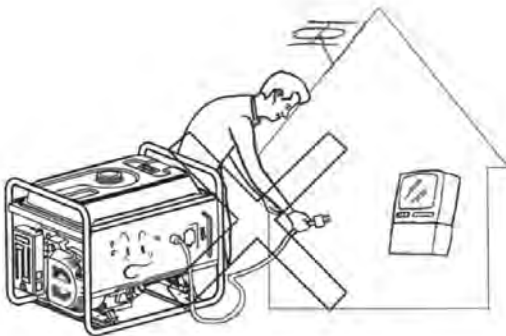
Lea este Manual del Usuario y asegúrese de haber comprendido cabalmente su contenido antes de utilizar su grupo electrógeno. Familiarizarse con los mandos y dispositivos de su equipo y respetar los procedimientos operativos descritos le permitirá prevenir accidentes.



No use este equipo en ambientes cerrados.



No use este equipo en condiciones de extrema humedad.



No conecte este equipo directamente a la red eléctrica doméstica.



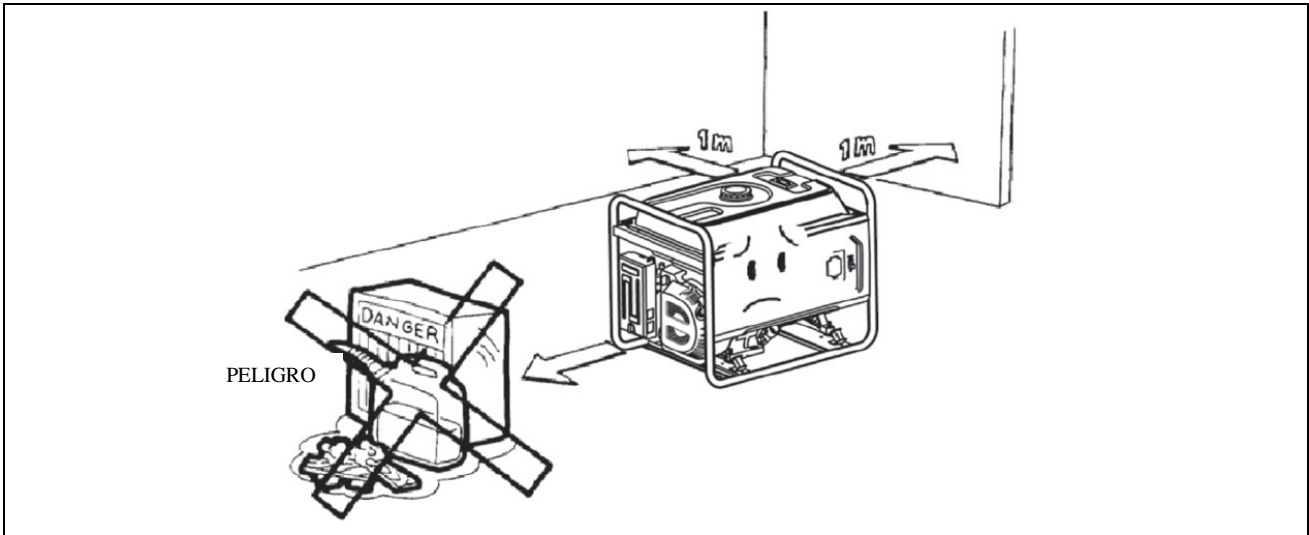
No fume mientras llena el depósito de combustible.



No exceda el máximo nivel de combustible durante el llenado del depósito.



Pare el motor antes de cargar combustible en el depósito.

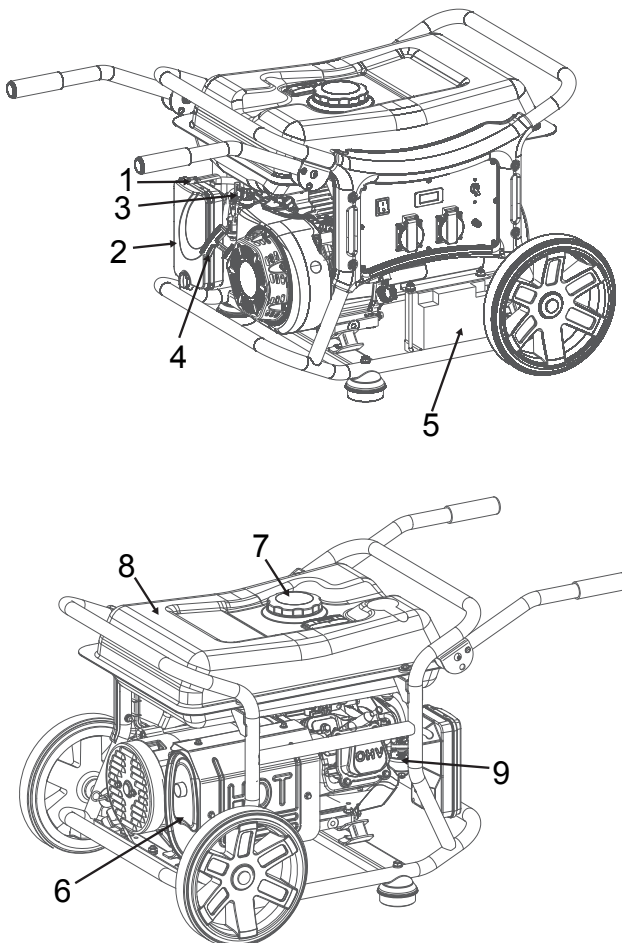


Mantenga este equipo como mínimo a 1 metro de distancia de todo material inflamable.

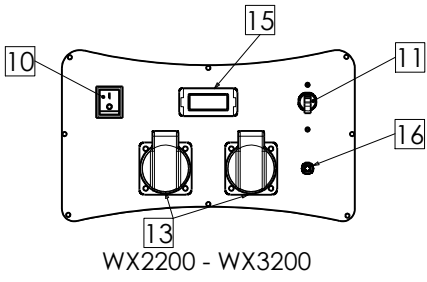
2. REQUISITOS PARTICULARES

- Todo tipo de equipo eléctrico, cable eléctrico y conexión debe contar con su debida cubierta y/o protección específica.
- Los interruptores de línea deben ser compatibles con las especificaciones del generador. En caso de sustituirse, deben instalarse interruptores de línea de idénticas características (respuesta, capacidad, etc.).

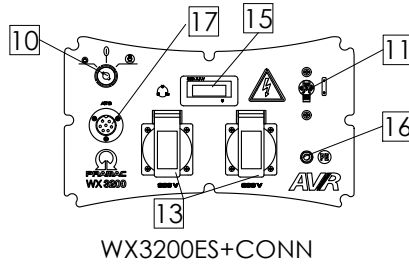
IDENTIFICACIÓN DE LOS COMPONENTES DEL GRUPO ELECTRÓGENO



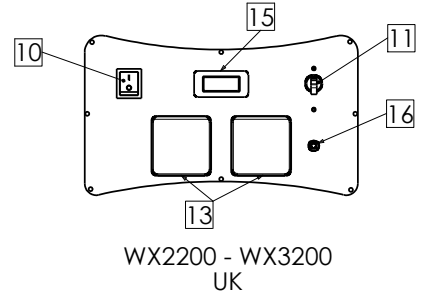
1	PALANCA VÁLVULA CONTROL RELACIÓN MEZCLA (CEBADOR)
2	FILTRO DE AIRE
3	VÁLVULA DE COMBUSTIBLE
4	MANIJA DEL ARRANCADOR AUTORRETRÁCTIL
5	BATERÍA (ES)
6	SILENCIADOR
7	TAPA DEPÓSITO COMBUSTIBLE
8	DEPÓSITO DE COMBUSTIBLE
9	CARBURADOR
10	INTERRUPTOR DEL GENERADOR
11	INTERRUPTOR DE LÍNEA
12	ACOMETIDA INTERRUPTOR DE LÍNEA
13	TOMA
14	TOMA CEE
15	CONTADOR HORAS - VOLTÍMETRO - FRECUENCÍMETRO
16	TERMINAL DE TIERRA
17	CONECTOR ATS (CONN)



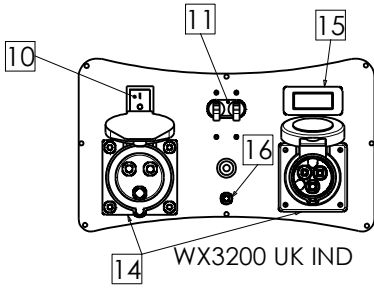
WX2200 - WX3200



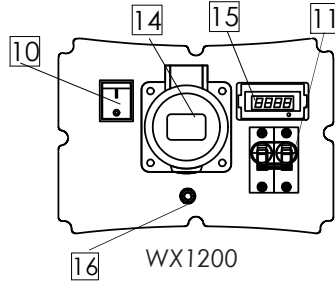
WX3200ES+CONN



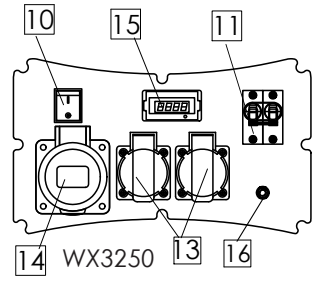
WX2200 - WX3200
UK



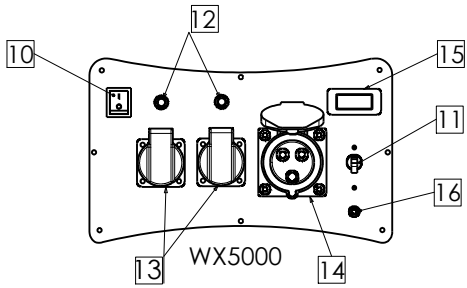
WX3200 UK IND



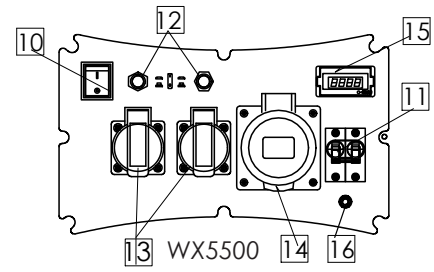
WX1200



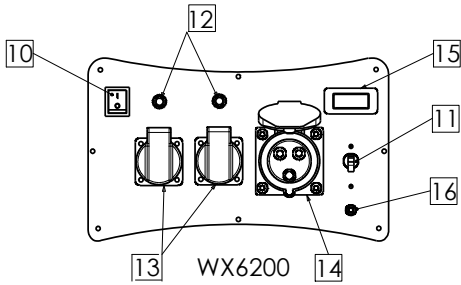
WX3250



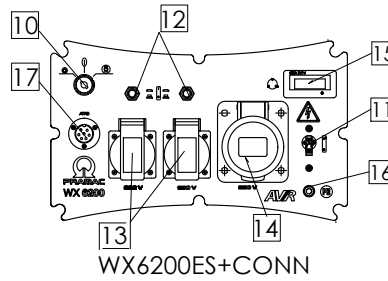
WX5000



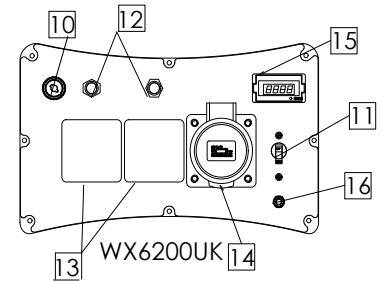
WX5500



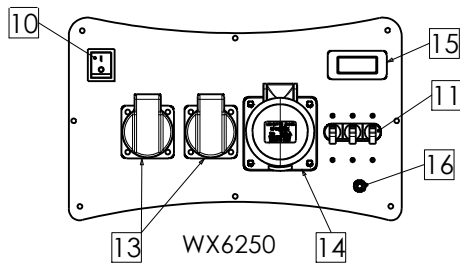
WX6200



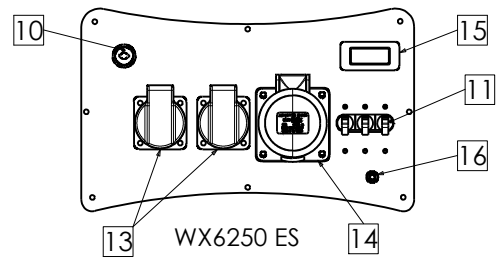
WX6200ES+CONN



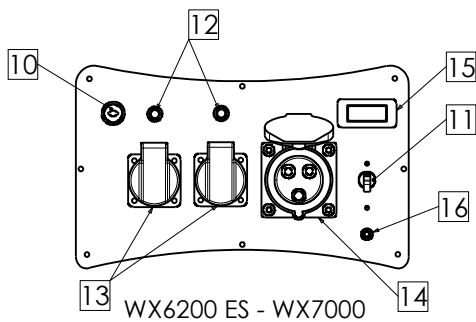
WX6200UK



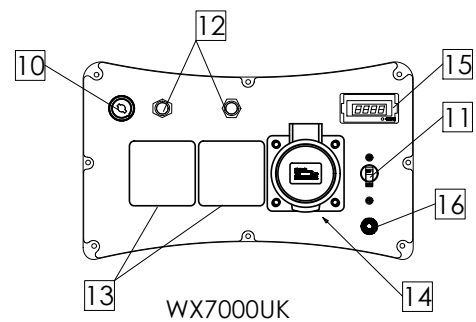
WX6250



WX6250 ES



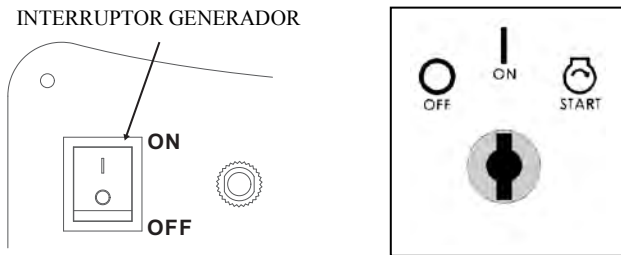
WX6200 ES - WX7000



WX7000UK

FUNCIÓN DE LOS COMPONENTES PRINCIPALES

1. INTERRUPTOR DEL GENERADOR

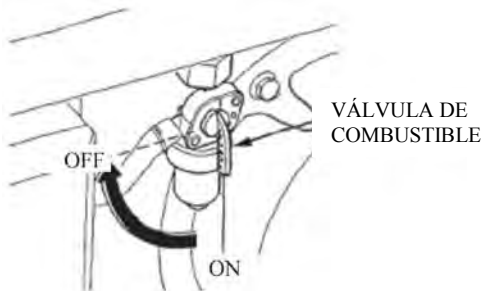
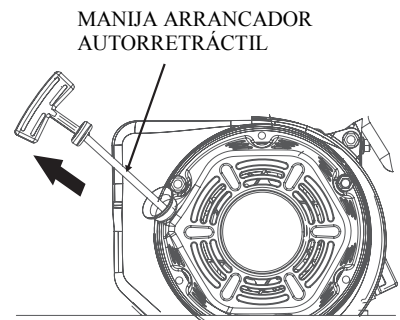


2. ARRANCADOR AUTORRETRÁCTIL

Para arrancar el motor tire ligeramente de la manija del arrancador autorretráctil hasta sentir una cierta resistencia; tire entonces de la manija con firmeza.

CUIDADO

No permita que el dispositivo del arrancador retroceda bruscamente y golpee contra el motor: acompañelo suavemente durante su retroceso para evitar dañar el arrancador.

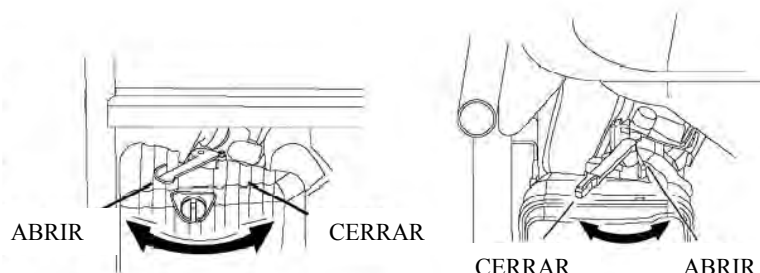


3. VÁLVULA DE COMBUSTIBLE

La válvula de combustible controla el flujo de carburante desde el depósito de combustible hacia el carburador. Recuerde llevar la palanca a la posición "OFF" tras parar el motor.

4. PALANCA DE LA VÁLVULA DE CONTROL DE LA RELACIÓN DE LA MEZCLA (CEBADOR)

Con esta palanca puede regular la válvula de control de la relación aire/combustible de la mezcla (cebador) para proporcionar una mezcla más rica durante la puesta en marcha del motor en frío. Una vez que el motor esté caliente, gire esta palanca en el sentido "ABRIR" lentamente.



5. INTERRUPTOR DE LÍNEA / PROTECCIÓN CONTRA SOBRECARGAS (CORRIENTE ALTERNA)

Toda corriente excesiva abrirá automáticamente el interruptor de línea para evitar una condición de sobrecarga o un cortocircuito en la carga. Si el indicador del dispositivo de protección contra sobrecargas está en la posición superior, éste se encuentra en la posición "OFF". Presione el pulsador del dispositivo de protección contra sobrecargas para engancharlo en la posición "ON" tras esperar algunos minutos. Si el interruptor de línea se abre automáticamente, ciérrelo nuevamente.

6. SISTEMA DE PROTECCIÓN EN CASO DE ACEITE INSUFICIENTE

Este sistema ha sido especialmente diseñado para impedir que el motor se dañe en caso de aceite insuficiente en el cárter. Cuando este nivel de aceite cae por debajo de un cierto límite de seguridad, este sistema provoca la parada automática del motor para evitar que pueda dañarse. (El interruptor del generador permanecerá en la posición "ON" no obstante este sistema determine la parada del motor).

OPERACIÓN DEL GENERADOR

El ambiente en el que ha de operar el generador debe satisfacer las condiciones indicadas a continuación.

Temperatura: $-15^{\circ}\text{C} \div 40^{\circ}\text{C}$.

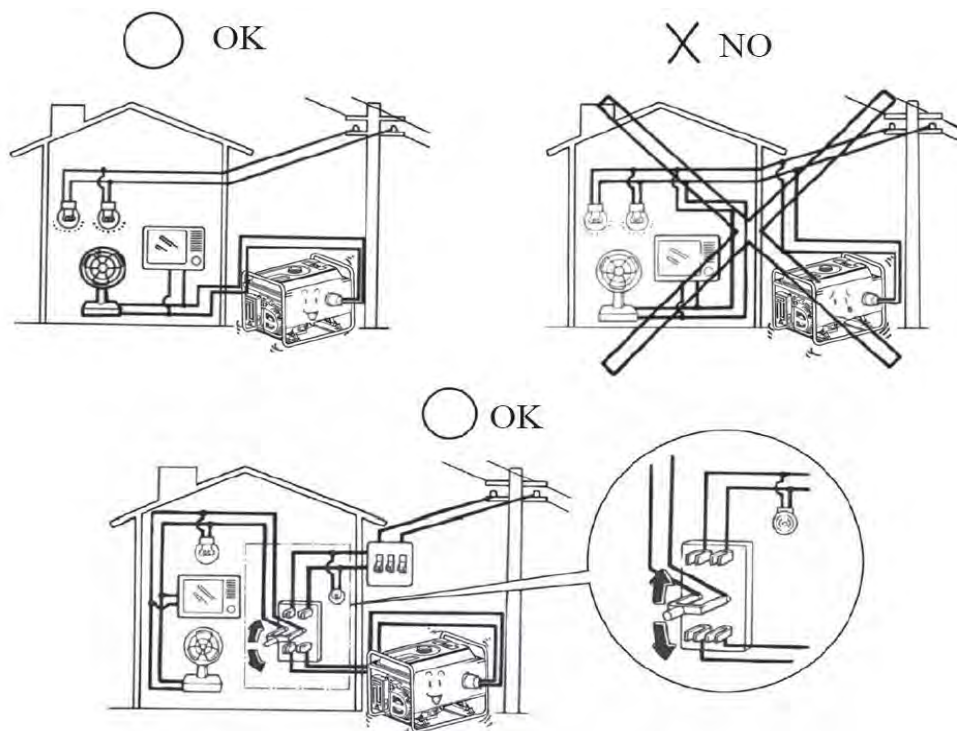
Humedad máxima: 95%.

Altitud máxima: 1000 msnm. (Una altitud mayor a los 1000 msnm redundará en una potencia entregada menor).

1. MODALIDAD DE CONEXIÓN A LA RED ELÉCTRICA DOMÉSTICA

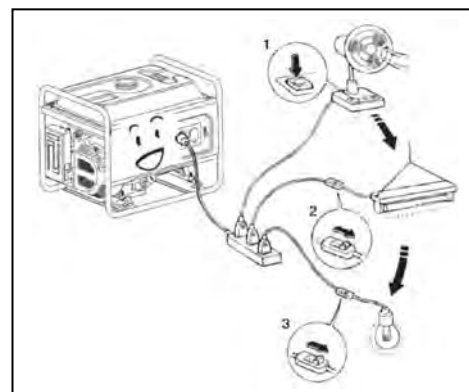
CUIDADO

Sólo un electricista competente debe conectar el generador a la red eléctrica doméstica. Tras realizar esta conexión debe comprobarse su fiabilidad y seguridad para evitar posibles daños irreversibles al generador y/o incendios.



2. CORRIENTE ALTERNA

Antes de poner el generador en servicio compruebe que la suma total de la potencia consumida por la carga (RLC) conectada al mismo no sea mayor que la potencia nominal del generador.



CUIDADO

La operación en condiciones de sobrecarga reducirá significativamente la vida útil de su generador.

Si han de conectarse al generador cargas (aparatos eléctricos) de potencia diferente, conecte en primer lugar la que más consume prosiguiendo de este modo hasta conectar la de menor consumo (en la figura, 1 - 2 - 3).

Las cargas inductivas y capacitivas –en particular, los aparatos accionados a motor– requieren en general una corriente de alta intensidad durante el transitorio de arranque.

3. OPERACIÓN A ALTITUDES CONSIDERABLES

A mayor altitud, más rica será la relación de la mezcla aire/combustible que llega al carburador del motor, pudiendo incluso resultar excesivamente rica en caso de altitudes considerables. En estas condiciones, la potencia entregada por el motor será menor y el consumo de combustible será mayor. Puede mejorar el rendimiento del motor instalando una tobera inyectora de combustible de menor diámetro en su carburador y ajustando convenientemente el tornillo de regulación correspondiente (piloto). Si este generador ha de operar a una altitud mayor de 1000 msnm, póngase en contacto con nuestro vendedor autorizado para solicitar esta modificación. En caso contrario, se verá obligado a conectar una carga menor al generador.

Incluso si su motor cuenta con un carburador *ad hoc*, la potencia entregada por el mismo [HP] decrecerá aproximadamente 3,5% por cada 300 metros de incremento de la altitud. Recuerde que si no solicita una modificación específica del carburador de su grupo electrógeno, la potencia entregada por el motor [HP] se reducirá con un porcentaje incluso mayor al aumentar la altitud.

CUIDADO

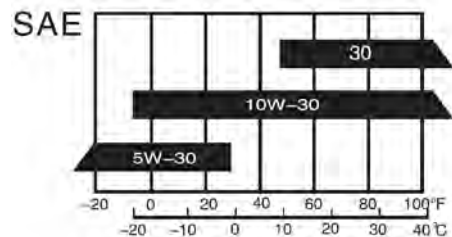
Si se instala un carburador específico para grandes altitudes en un motor predispuesto para operar a una altitud menor, la mezcla aire/combustible pobre determinará una reducción de la potencia entregada por el motor, su sobrecalentamiento y/o daños considerables al mismo.

CONTROLES PRELIMINARES

1. ACEITE DEL MOTOR

CUIDADO

El aceite del motor representa un factor determinante para la respuesta, el rendimiento y la vida útil de su grupo electrógeno.



TEMPERATURA AMBIENTE

Evite usar aceites que carecen de propiedades detergentes y aceites destinados a los motores de explosión de 2 tiempos: los aceites de estas categorías dañarán el motor de su grupo electrógeno. Cada vez que deba poner en marcha su grupo electrógeno, controle antes el nivel del aceite –el grupo electrógeno debe estar perfectamente horizontal y su motor debe estar parado.

Aceite recomendado:

Aceite para motores de explosión de 4 tiempos que funcionan con gasolina (nafta).

Clasificación de Servicio API SF

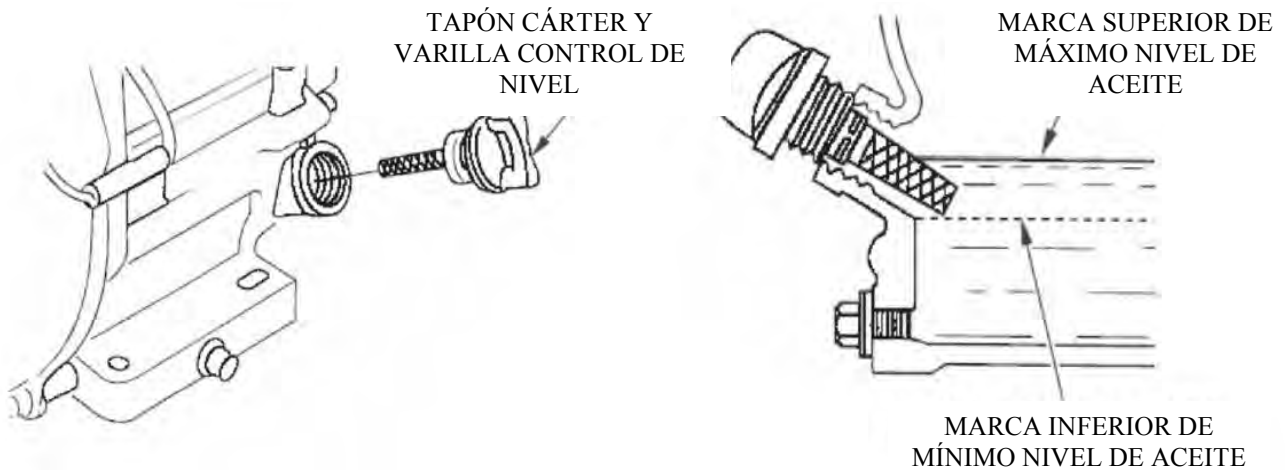
o SAE10W-30 de Clase SG equivalente.

Cómo controlar el nivel de aceite:

Quite el tapón de la boca de llenado del cárter y limpie la varilla de control del nivel de aceite. Introduzca completamente la varilla en la boca de llenado sin enroscar el tapón y vuelva a controlar la marca del nivel en su varilla.

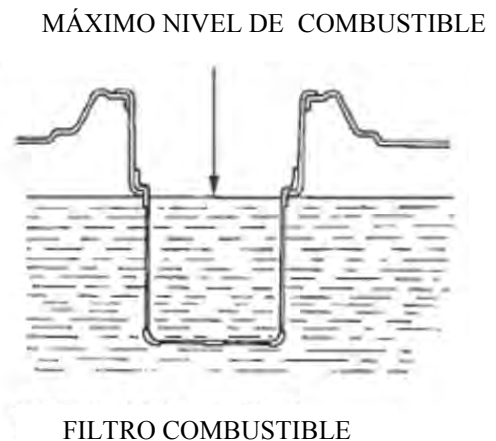
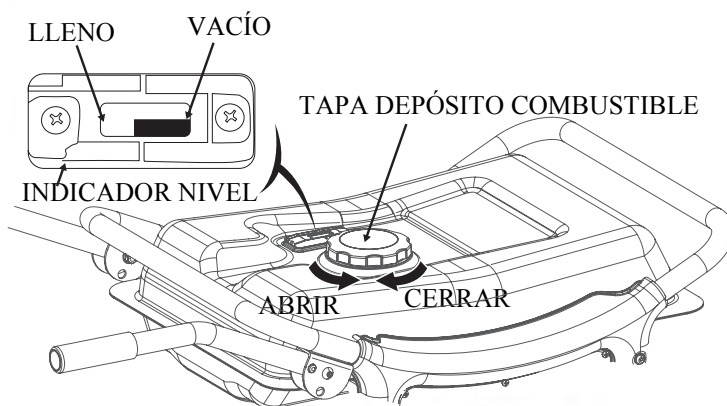
En caso de bajo nivel de aceite, agregue el aceite recomendado hasta que el nivel coincida con la marca superior de la varilla de control del nivel.

Recuerde colocar correctamente el tapón y enroscarlo completamente tras realizar un control/un llenado a nivel del cárter.



2. COMBUSTIBLE

1. Controle la cantidad de combustible disponible en el depósito con el indicador de nivel.
2. Agregue combustible si el medidor indica un bajo nivel: el nivel de combustible no debe superar el reborde del filtro.
3. Recuerde colocar correctamente la tapa del depósito y enroscarla completamente tras agregar combustible.



ADVERTENCIA

• **Cargue el combustible en el depósito del grupo electrógeno con su motor parado y en un área bien ventilada. No fume en el lugar en que mantiene la gasolina (nafta) almacenada ni en el área en que carga el combustible. Tome todas las medidas necesarias para evitar la presencia de llamas y/o chispas de cualquier origen en estas áreas.**

• **No llene el depósito de combustible excesivamente.**

• **Evite todo contacto reiterado y/o prolongado entre el combustible y la piel, así como respirar los vapores emanados por el mismo.**

• **Mantenga el combustible fuera del alcance de los niños.**

• No use mezclas de aceite y gasolina (nafta) ni un combustible que contenga impurezas.

Use una gasolina (nafta) con un índice de octano ≥ 90 .

Recomendamos usar combustibles sin plomo puesto que producen menos depósitos indeseables en las bujías y partes internas del motor y prolongan la vida útil de los sistemas de escape.

Nunca use un combustible contaminado con partículas en suspensión y/o con sedimentos. Nunca use mezclas de gasolina (nafta) y aceite. Evite que entre suciedad y/o agua dentro del depósito de combustible.

PUESTA EN MARCHA DEL MOTOR

1. ARRANCADOR AUTORRETRÁCTIL

1. Desconecte todas las cargas que puedan estar conectadas a la salida del grupo electrógeno.
2. Lleve la válvula de combustible a la posición "ON".
3. Lleve el interruptor de línea a la posición "OFF".
4. Gire la palanca de la válvula de control de la relación de la mezcla (cebador) en el sentido "CERRAR".

CUIDADO

No cierre la válvula de control de la relación de la mezcla (cebador) si el motor ya está caliente.

5. Lleve el interruptor del generador a la posición "ON".
6. Tire suavemente de la manija del arrancador autorretráctil hasta sentir una cierta resistencia y tire entonces con firmeza.
7. Una vez que el motor esté caliente, gire la palanca de la válvula de control de la relación de la mezcla (cebador) en el sentido "ABRIR".
8. No utilice ningún aparato eléctrico hasta llevar el interruptor de línea a la posición "ON".

CUIDADO

No cierre la válvula de control de la relación de la mezcla (cebador) si el motor ya está caliente.

4. Lleve el interruptor del generador a la posición “Start eléctrico”.
5. Cuando el motor arranca, suelte inmediatamente el interruptor del generador para que pueda retornar automáticamente a la posición “ABIERTO”.
6. Una vez que el motor esté caliente, gire la palanca de la válvula de control de la relación de la mezcla (cebador) en el sentido “ABRIR”.

CUIDADO

Mantener el interruptor del generador en la posición “Start eléctrico” durante más de 5 segundos puede dañar el motor de arranque. Si el motor del grupo electrógeno no logra ponerse en marcha, suelte el interruptor y espere unos 10 segundos antes de volver a intentar.

Si la velocidad del motor de arranque cae rápidamente tras un cierto tiempo, sustituya la batería.

PARADA DEL MOTOR

1. Lleve el interruptor de línea a la posición “OFF”.
2. Lleve el interruptor del generador a la posición “OFF”.
3. Lleve la válvula de combustible a la posición “OFF”.

CUIDADO

Para parar el motor ante una condición de emergencia, lleve el interruptor del generador a la posición “OFF”.

MANTENIMIENTO

El mantenimiento correcto de este grupo electrógeno es esencial para garantizar una operación segura, económica y sin problemas, además de contribuir con una menor contaminación atmosférica.



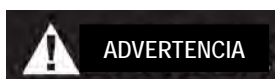
ADVERTENCIA

El gas de escape del motor contiene una cierta concentración de monóxido de carbono, un gas altamente tóxico e incluso letal. Pare el motor antes de realizar cualquier tipo de trabajo de mantenimiento. Si por una exigencia particular el motor debe permanecer en marcha, asegúrese de que el lugar en que han de realizarse los trabajos de mantenimiento sea bien ventilada.

Mantener este grupo electrógeno en buenas condiciones operativas requiere un mantenimiento periódico y la realización de controles y regulaciones con una cierta frecuencia. Respete las frecuencias de mantenimiento e inspección indicadas en la tabla del programa de mantenimiento incluida a continuación.

FRECUENCIA DE MANTENIMIENTO ORDINARIO		Antes de cada uso	1º mes o tras 20 hs. de servicio (3)	Cada 3 meses o 50 hs. de servicio (3)	Cada 6 meses o 100 hs. de servicio (3)	Anual o tras 300 hs. de servicio (3)
Aceite del motor	Control nivel	○				
	Cambio		○		○	
Filtro de aire	Control	○				
	Limpieza			○ (1)		
Depósito retención sedimentos	Limpieza				○	
Bujía	Limpieza				○	Cambio
Huelgo de válvulas	Control / Regulación					○ (2)
Tapa de cilindro	Limpieza	Cada 300 hs. de servicio (2)				
Depósito combustible y filtro	Limpieza	Cada 2 años (2)				
Línea de combustible	Reemplazo	Cada 2 años (2)				
WX1200–WX3250: Cabeza de cilindro y cabeza (culata) de pistón	Limpieza depósitos carbonosos	Cada 125 hs. de servicio (2)				
WX5500–WX7000: Cabeza de cilindro y cabeza (culata) de pistón	Limpieza depósitos carbonosos	Cada 250 hs. de servicio (2)				

1. Se requiere una mayor frecuencia de mantenimiento en caso de atmósferas con una alta concentración de partículas de suciedad/polvo en suspensión.
2. Operación de mantenimiento reservada a los técnicos de un vendedor autorizado de este grupo electrógeno.
3. Frecuencia indispensable para garantizar la vida útil del grupo electrógeno.



Un mantenimiento ineficiente y usar este grupo electrógeno sin haber solucionado posibles anomalías pueden redundar en una operación incorrecta, con el riesgo consiguiente de lesiones graves, daños y/o perjuicio de diversa naturaleza e incluso la muerte.

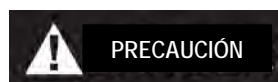
Respete escrupulosamente las recomendaciones y el programa de inspección y mantenimiento incluidos en este Manual del Usuario.

1. CAMBIO DEL ACEITE DEL MOTOR

Drene el aceite del cárter mientras el motor está aún caliente para acelerar el vaciado y asegurarse de que se realiza en forma completa.

1. Quite el tapón del drenaje y desenrosque el tapón con la varilla de control de nivel incorporada para vaciar el motor completamente.
2. Vuelva a colocar el tapón del drenaje y asegúrese de apretarlo perfectamente.
3. Llene con aceite y controle su nivel.

Capacidad de aceite: WX1200- WX2200 - WX3200 - WX3250 = 0,6 litros;
WX5000 - WX5500- WX6200 - WX6250 - WX7000 = 1 litro



PRECAUCIÓN

Consulte siempre la ficha de seguridad del aceite.

Elimine el aceite de conformidad con las normas y leyes locales aplicables en materia de recogida y tratamiento de residuos.

2. MANTENIMIENTO DEL FILTRO DE AIRE

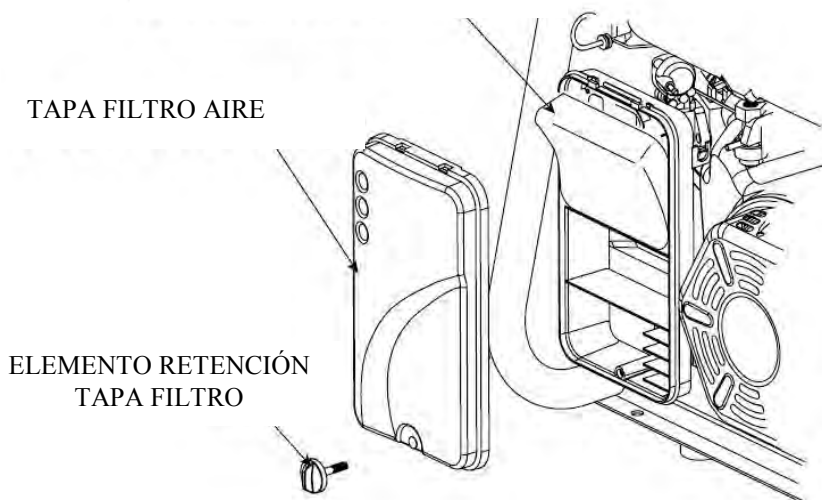
Un filtro de aire sucio reduce el flujo de aire que pasa al carburador. Para evitar posibles anomalías en el carburador, realice un mantenimiento regular del filtro de aire. La frecuencia con que debe realizarse este mantenimiento será mayor si el grupo electrógeno opera en atmósferas con una alta concentración de partículas contaminantes y/o polvo en suspensión.

CUIDADO

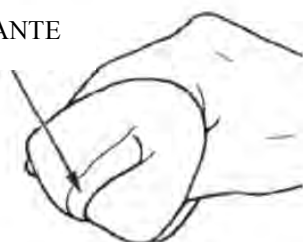
Usar gasolina (nafta) o un solvente inflamable para limpiar el elemento filtrante puede provocar incendios y/o explosiones. Utilice sólo una solución de agua y

1. Extraiga el elemento de retención de la tapa del filtro de aire y quite la tapa. Inspeccione el elemento filtrante para determinar su estado (debe estar íntegro y limpio).
2. Si el filtro está sucio lave el elemento filtrante con una solución de agua caliente y detergente común para uso doméstico y enjuáguelo con abundante agua. Puede lavar el elemento filtrante con un solvente no inflamable de bajo punto de ignición.

ELEMENTO FILTRANTE



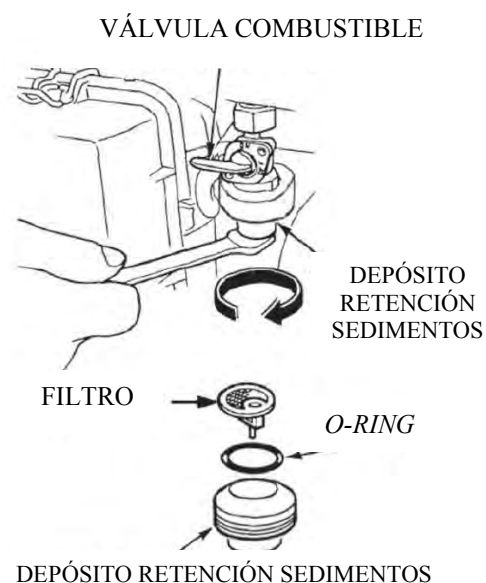
ELEMENTO FILTRANTE



3. Vuelva a colocar el filtro en su posición y su tapa.

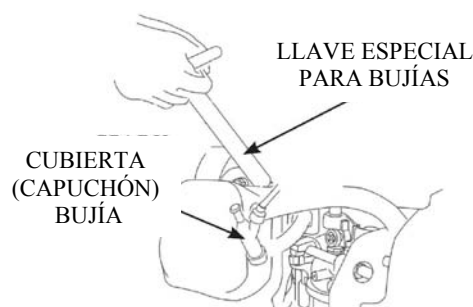
3. LIMPIEZA DEL DEPÓSITO DE RETENCIÓN DE SEDIMENTOS

1. Lleve la válvula de combustible a la posición "OFF". Extraiga el depósito de retención de los sedimentos, el anillo de retención (O-ring) y el filtro respetando el sentido de la flecha de la figura.
2. Limpie el depósito de retención de los sedimentos, el anillo de retención (O-ring) y el filtro con un solvente no inflamable de bajo punto de ignición.
3. Coloque correctamente el anillo de retención (O-ring) y el filtro y enrosque completamente el depósito en su posición.
4. Lleve la válvula de combustible a la posición "ON" e inspeccione para comprobar que no existan pérdidas.

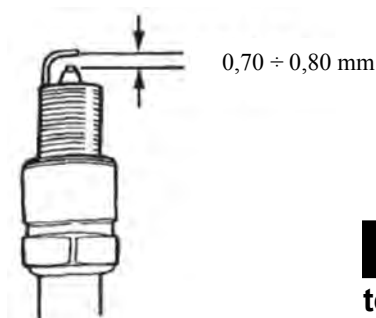


4. MANTENIMIENTO DE LA BUJÍA

1. Bujías recomendadas: F7RTC o equivalentes.
2. Quite la cubierta (capuchón) de la bujía.
3. Extraiga la bujía con la ayuda de una llave especial para bujías.



4. Inspeccione la bujía para comprobar que el cuerpo de su aislamiento no presente fisuras ni grietas. Si no se satisface esta condición, sustituya la bujía.
5. Mida el huelgo de la bujía con una galga y corrija, si es necesario, flexionando con extremo cuidado el electrodo. Huelgo admisible: $0,70 \div 0,80$ mm.
6. Controle el estado y la condición de la arandela de la bujía.
7. Instale la bujía, apriétela con la llave especial para bujías e inmovilice firmemente la arandela.



CUIDADO Use siempre bujías compatibles con las temperaturas operativas aplicables.

ALMACENAMIENTO

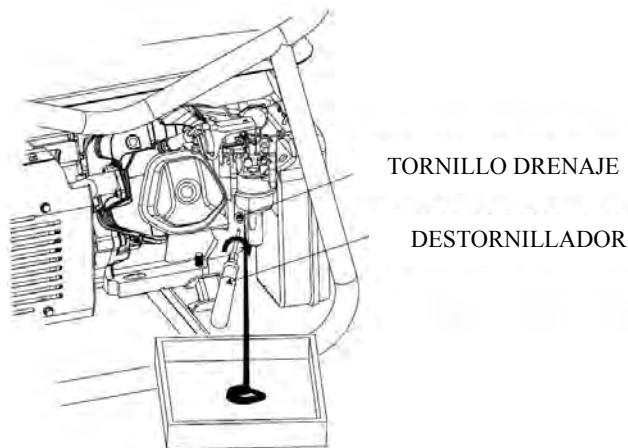


ADVERTENCIA

Espere hasta que el grupo electrógeno se enfríe antes de disponerlo en el lugar de almacenamiento en que ha de permanecer mientras se encuentre fuera de servicio para evitar todo contacto con partes a alta temperatura (motor y/o sistema de escape) que pueda redundar en quemaduras y/o incendio.

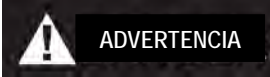
Si el grupo electrógeno ha de permanecer fuera de servicio durante un período prolongado, asegúrese de que el lugar en que ha de mantenerse almacenado no sea excesivamente húmedo y que no contenga una alta concentración de partículas/polvo en suspensión en el aire.

1. Vacíe el depósito de combustible, limpie el filtro, el anillo de retención (*O-ring*) y el depósito de retención de sedimentos y vuelva a instalarlos en su posición. Afloje el tornillo de drenaje del carburador para drenar el combustible que pueda encontrarse en su interior y vuelva a colocar y apretar el tornillo.



TORNILLO DRENAJE

DESTORNILLADOR

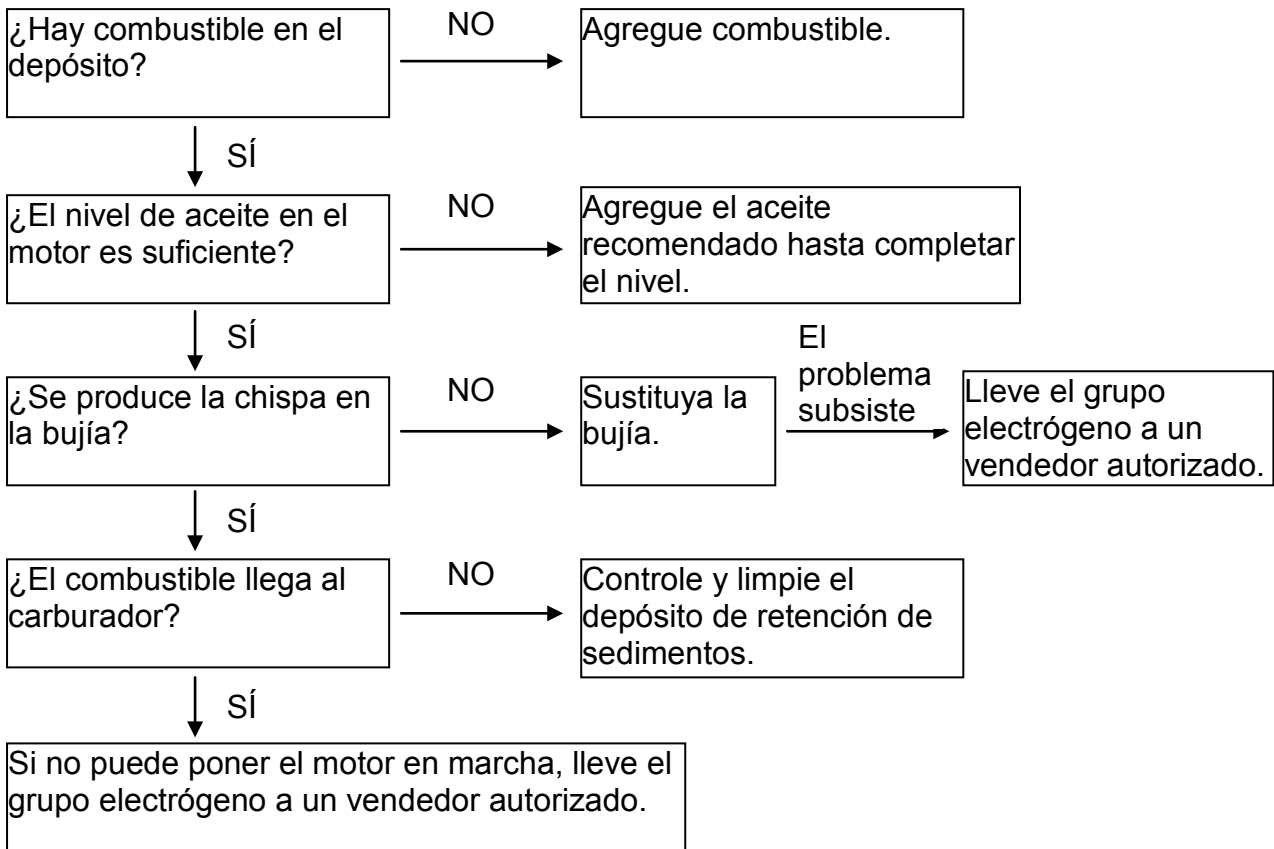


La gasolina (nafta) es un fluido extremadamente inflamable que puede provocar explosiones bajo ciertas condiciones. Drene el combustible del grupo electrógeno en un área bien ventilada y siempre con el motor completamente parado. No fume ni permita que haya fuentes de calor activas (llamas, chispas) en el área mientras drena el combustible del motor.

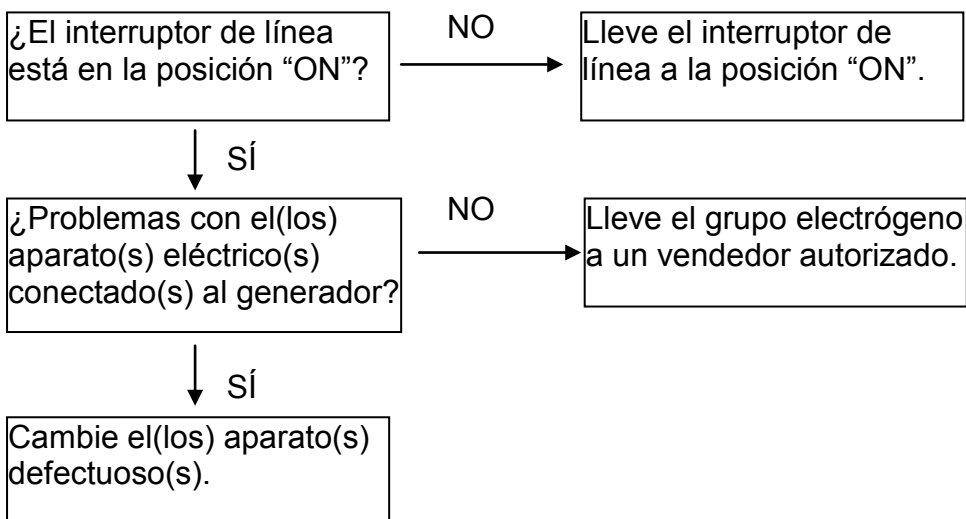
2. Desenrosque el tapón con la varilla de control del nivel de aceite incorporada y el tapón de drenaje del cárter para vaciar completamente el motor. Enrosque el tapón de drenaje y llene el cárter con aceite nuevo hasta alcanzar el nivel máximo (marca superior). Coloque el tapón con la varilla de control de nivel y apriételo firmemente.
3. Extraiga la bujía y vierta aproximadamente 15 ml de aceite de motor nuevo dentro del cilindro. Gire manualmente el motor algunas vueltas para que el pistón recorra varias veces su carrera y el aceite se distribuya uniformemente antes de volver a instalar la bujía.
4. Tire lentamente de la manija del arrancador autorretráctil hasta sentir una cierta resistencia. Asegúrese de que las válvulas de admisión y escape estén cerradas.
5. Disponga el grupo electrógeno convenientemente en una zona limpia.

ANÁLISIS Y SOLUCIÓN DE PROBLEMAS OPERATIVOS

EL MOTOR NO ARRANCA

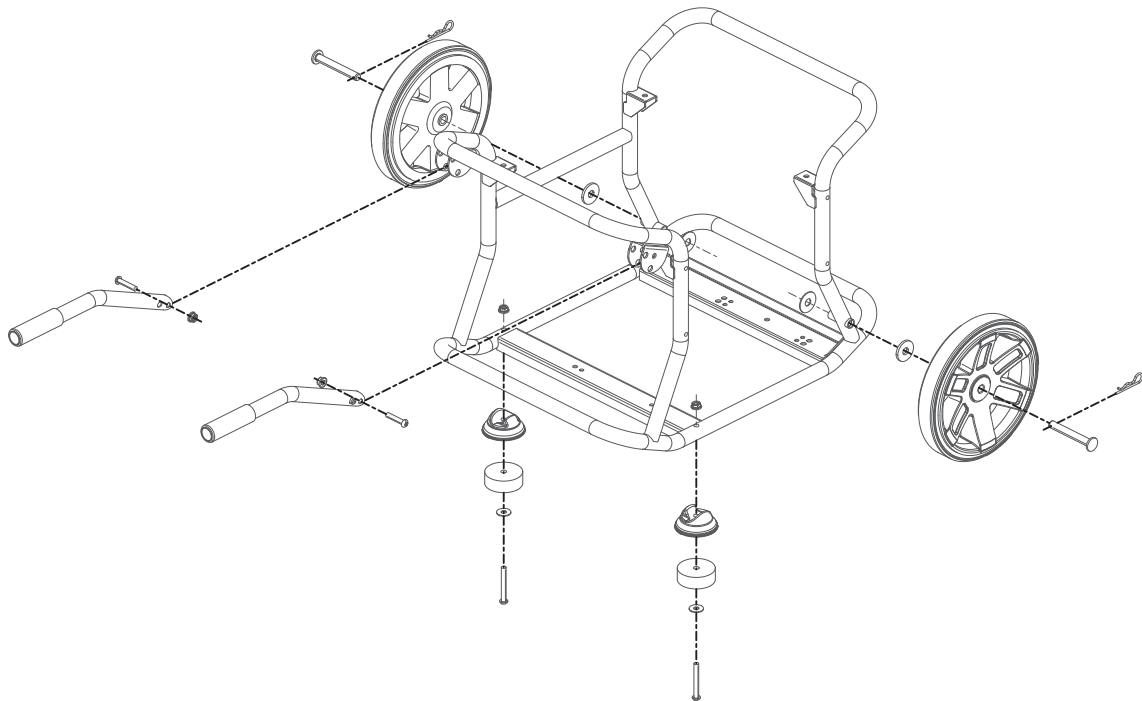
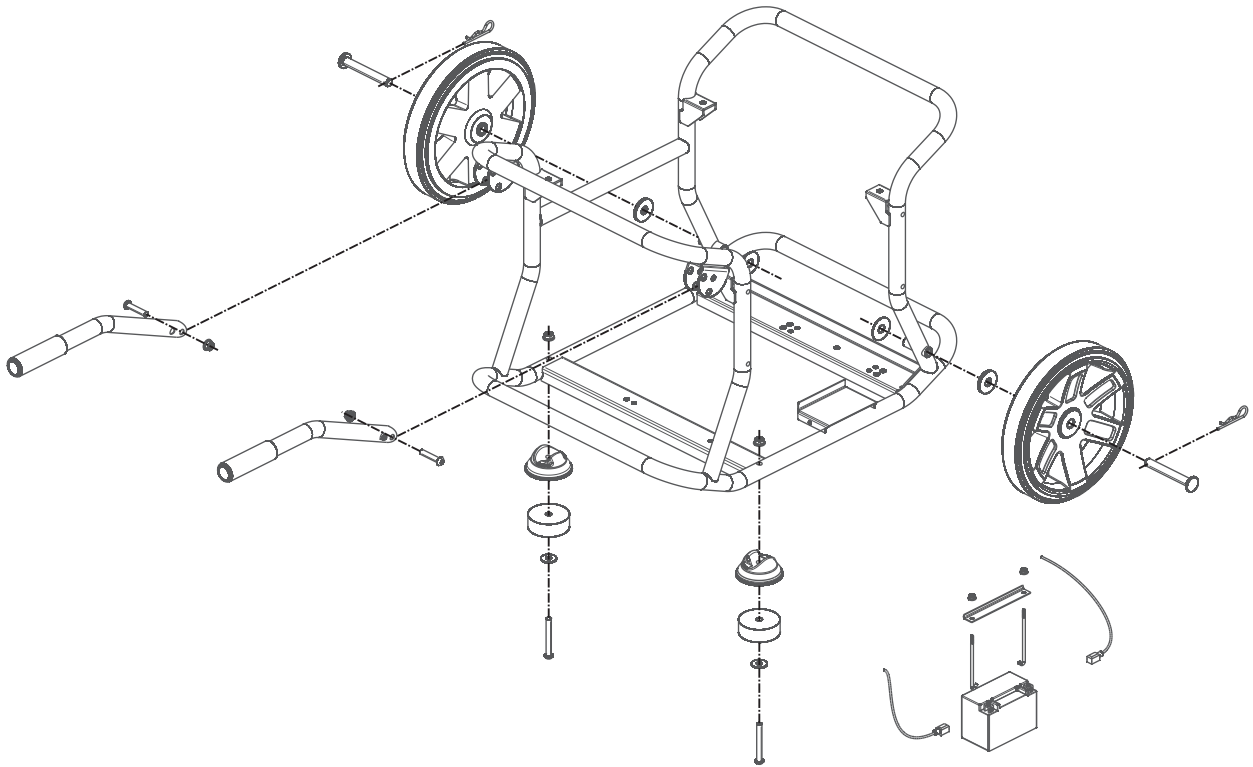


ENERGÍA ELÉCTRICA



KIT DE RUEDAS PARA TRANSPORTE

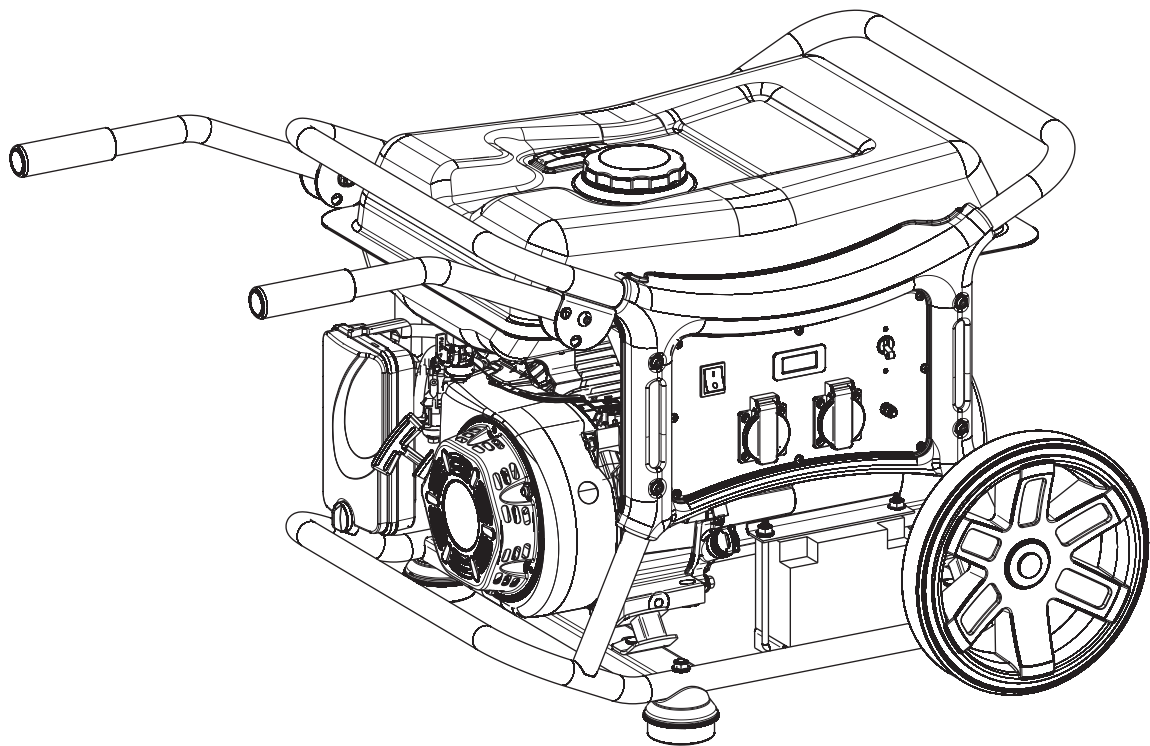
1. Instale las 2 ruedas en el eje posicionando las juntas y los pasadores correctamente.
2. Vincule firmemente el conjunto de las ruedas a la placa inferior del bastidor del grupo electrógeno con tornillos y tuercas.
3. Fije el manillar al bastidor.





BETRIEBSHANDBUCH

WX



Wir danken Ihnen für den Kauf dieses Elektroaggregats unserer Gesellschaft.

Dieses Handbuch enthält die Informationen für den Betrieb. Bitte lesen Sie es vor dem Betrieb aufmerksam durch. Ein sicherer und korrekter Betrieb trägt dazu bei, die besten Ergebnisse zu erzielen.

Alle in diesem Handbuch enthaltenen Informationen entsprechen den neuesten, zum Druckdatum zur Verfügung stehenden Produktinformationen. Der Inhalt des Handbuchs kann sich von den aktuellen Komponenten, die einer Revision oder Änderung unterzogen wurden, unterscheiden.

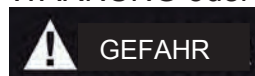
Wir behalten uns das Recht vor, jederzeit und ohne dadurch irgendwelche Verpflichtungen einzugehen, Änderungen anzubringen. Das Handbuch darf nicht – auch nicht teilweise – ohne unsere vorhergehende schriftliche Genehmigung, reproduziert werden.

Dieses Handbuch wird als grundlegender Bestandteil des Generators betrachtet und muss diesen für die gesamte Lebensdauer begleiten.

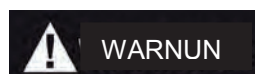
SICHERHEITSHINWEISE

Ihre Sicherheit sowie die Sicherheit der Anderen ist sehr wichtig. In diesem Handbuch sowie auf dem Generator wurden bedeutende Sicherheitshinweise angebracht. Bitte lesen Sie diese Hinweise aufmerksam.

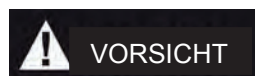
Der Sicherheitshinweis weist Sie auf eine potentielle Gefahr für Ihre Gesundheit bzw. auf andere Gefahren hin. Jeder einzelne Sicherheitshinweis wird durch ein Gefahrensymbol vervollständigt, das eines der folgenden drei Begriffe enthält und zwar: GEFAHR, WARNUNG oder VORSICHT. Diese Begriffe haben folgende Bedeutung:



Falls die Anweisungen nicht beachtet werden, besteht **TODESGEFAHR** bzw. **GEFAHR** die **GEFAHR ERNSTHAFTER VERLETZUNGEN**



Falls die Anweisungen nicht beachtet werden, kann **TODESGEFAHR** bzw. die **GEFAHR ERNSTHAFTER VERLETZUNGEN** bestehen



Falls die Anweisungen nicht beachtet werden, besteht **VERLETZUNGSGEFAHR**



Falls die Anweisungen nicht beachtet werden, können Generator oder andere Gegenstände beschädigt werden.

PR INDUSTRIAL s.r.l.
Loc. Il Piano
PLZ: 53031, Casole D'Elsa (SI)
ITALIEN

INHALTSVERZEICHNIS

SICHERHEITSHINWEISE	78
IDENTIFIZIERUNG DER KOMPONENTE	79
STEUERUNG	81
BETRIEB DES GENERATORS	82
KONTROLLEN VOR DEM BETRIEB	83
INBETRIEBNAHME DER MASCHINE	85
ABSCHALTEN DER MASCHINE	85
WARTUNG	86
LAGERUNG	89
BETRIEBSPROBLEME	90
RÄDER-KIT	91
EU-KONFORMITÄTSERKLÄRUNG	92
MASCHINENSCHILD	92

SICHERHEITSHINWEISE

1. SICHERHEITSSTANDARD

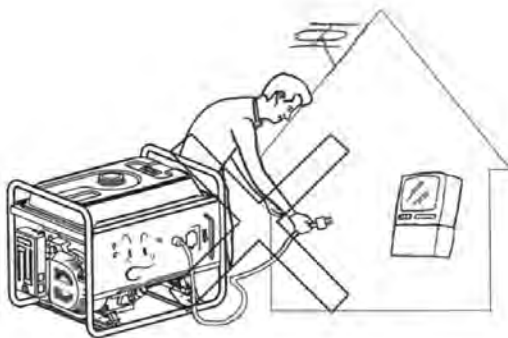
Bevor der Generator in Betrieb genommen wird, muss dieses Betriebshandbuch aufmerksam gelesen und dessen Inhalt verstanden werden. Eine Vertrautheit mit den Steuerungen des Generators sowie die Beachtung der sicheren Betriebsvorgänge kann bei der Vorbeugung von Unfällen von Vorteil sein.



Nicht in geschlossenen Bereichen betreiben



Nicht bei nassen Wetterverhältnissen betreiben



Nicht direkt an die Energieversorgung im Haushalt anschließen.



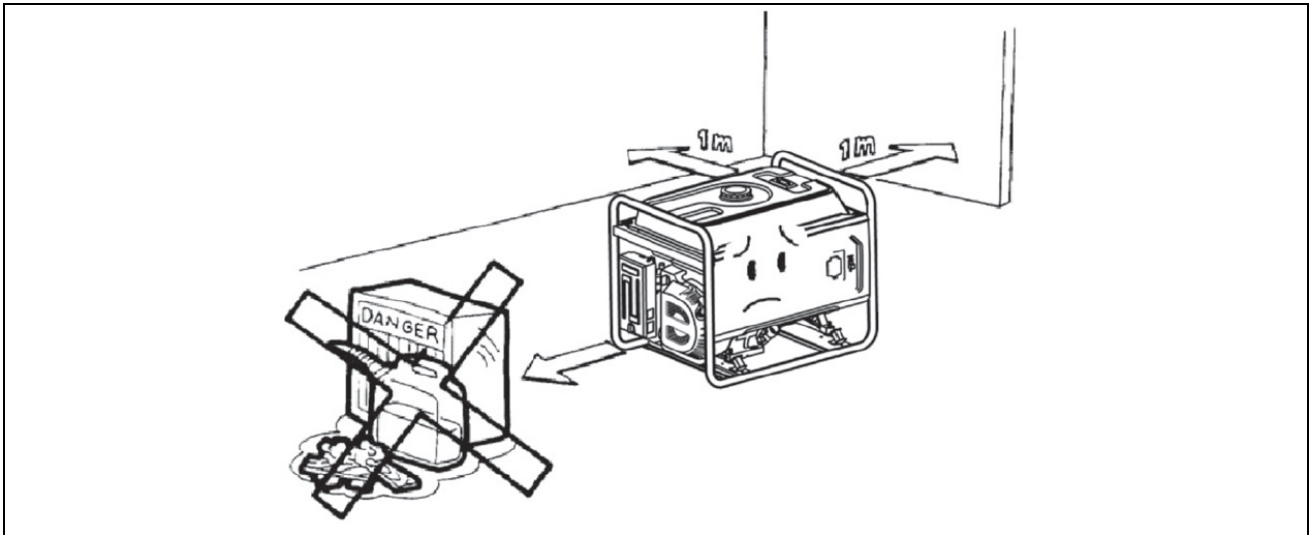
Während des Nachfüllens nicht rauchen



Beim Nachfüllen den maximalen Füllstand beachten



Vor dem Nachfüllen die Maschine abschalten

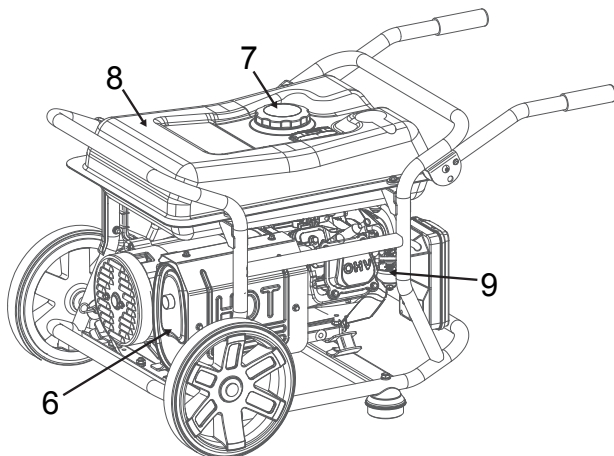
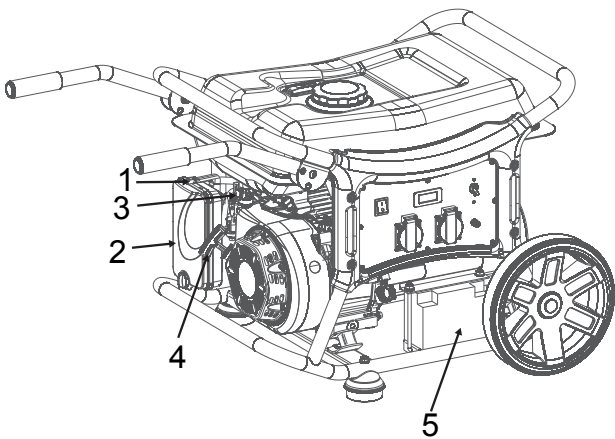


Bitte 1 m Abstand von entflammaren Materialien sicherstellen

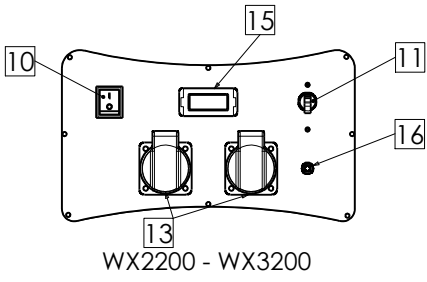
2. BESONDERE SICHERHEITSANFORDERUNGEN

- Das elektrische Material, einschließlich Buchsen und Leiter, muss sich in einem perfekten Zustand befinden und darf keine Abschürfungen aufweisen.
- Die Thermo- und Magnetthermoschalter müssen für jeden einzelnen Generator korrekt dimensioniert werden.

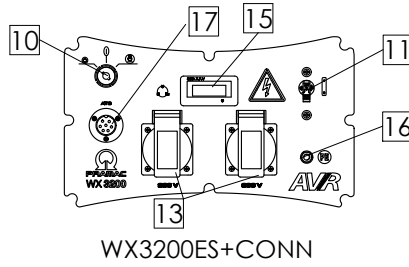
IDENTIFIZIERUNG DER KOMPONENTE



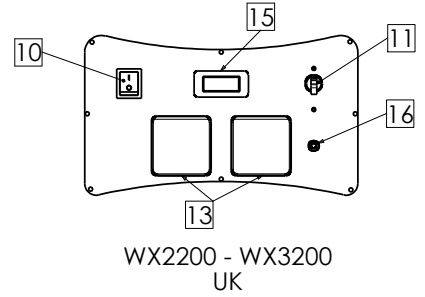
1	DROSSELHEBEL
2	LUFTBEHANDLUNGS-VORRICHTUNG
3	KRAFTSTOFFVENTIL
4	REVERSIERSTARTERGRIFF
5	BATTERIE (ES)
6	SCHALLDÄMPFER
7	KRAFTSTOFFPROPFEN
8	KRAFTSTOFFTANK
9	VERGASER
10	HAUPTSCHALTER
11	MAGNET-THERMOSCHALTER
12	MAGNET-THERMOSCHALTER- BUCHSE
13	BUCHSEN
14	CEE-BUCHSEN
15	STUNDENMESSER – VOLTMESSER – FREQUENZMESSER
16	ERDUNGSANSCHLUSS
17	ATS-ANSCHLUSS (CONN)



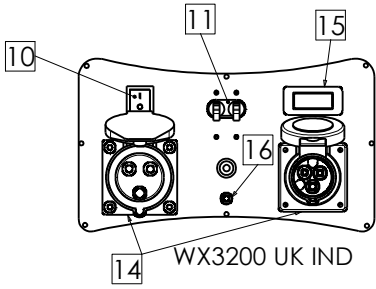
WX2200 - WX3200



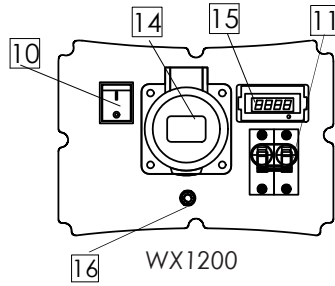
WX3200ES+CONN



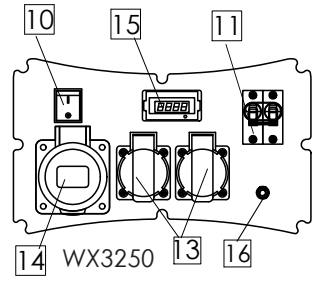
WX2200 - WX3200
UK



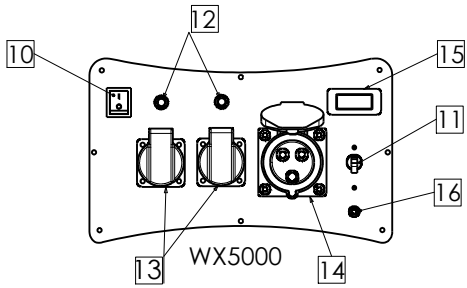
WX3200 UK IND



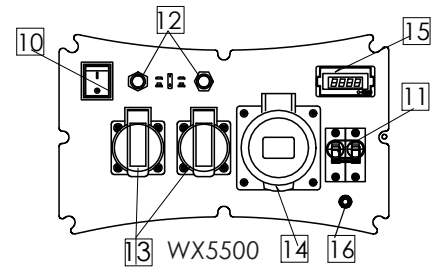
WX1200



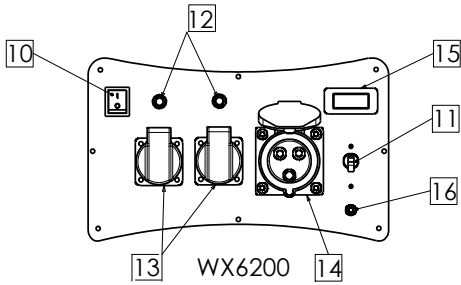
WX3250



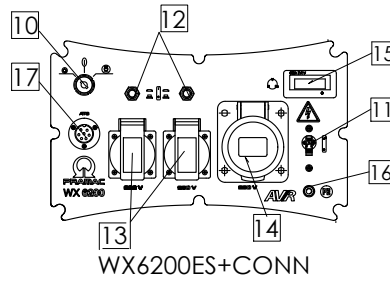
WX5000



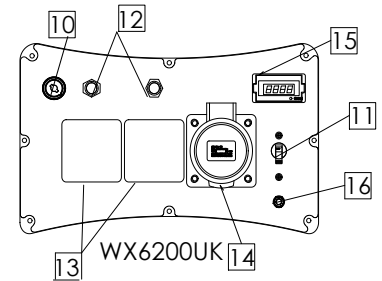
WX5500



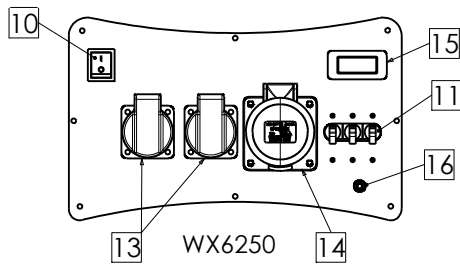
WX6200



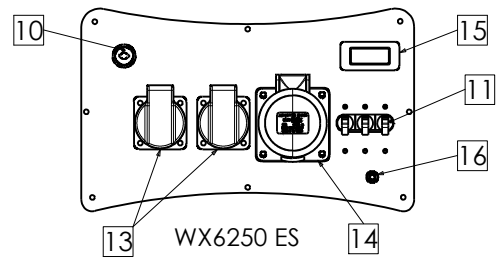
WX6200ES+CONN



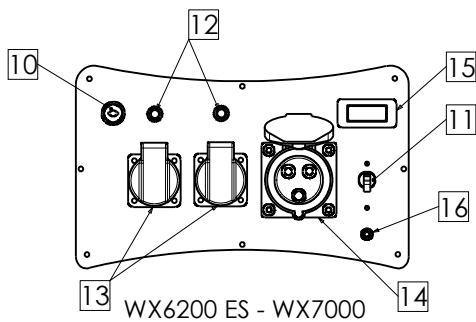
WX6200UK



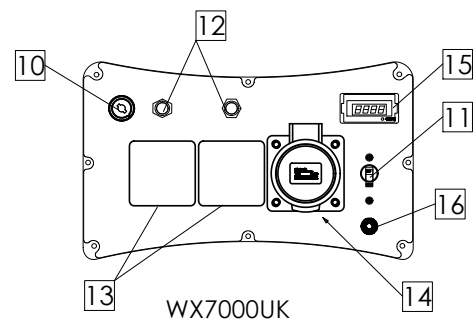
WX6250



WX6250 ES



WX6200 ES - WX7000

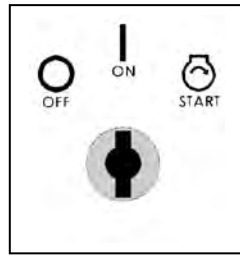
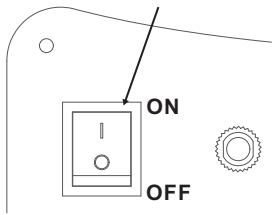


WX7000UK

STEUERUNG

1. HAUPTSCHALTER

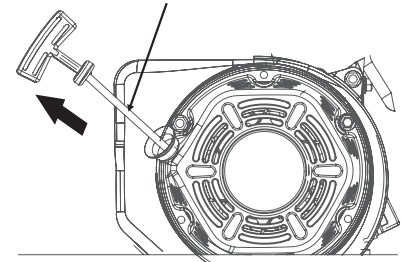
HAUPTSCHALTER



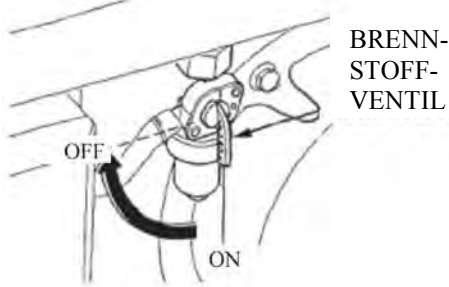
2. REVERSIER-STARTERGRIFF

Zum Start der Maschine den Startergriff leicht ziehen, bis man einen Widerstand spürt und anschließend energisch ziehen.

REVERSIER-STARTERGRIFF



HINWEIS



BRENN-
STOFF-
VENTIL

Der Starter darf nicht mit voller Kraft in die Maschine

zurückkehren. Um eine Beschädigung des Starters zu vermeiden, muss der Griff vorsichtig losgelassen werden.

3. KRAFTSTOFFVENTIL

Das Kraftstoffventil steuert den Kraftstofffluss vom Kraftstofftank zum Vergaser. Sicherstellen, dass man nach dem Abschalten der Maschine den Hebel auf 'OFF' positioniert hat.

4. DROSSELHEBEL

Der Drosselhebel wird eingesetzt, um beim Starten einer kalten Maschine eine angereicherte Kraftstoffmischung zu erhalten. Den Hebel langsam auf "OPEN" (AUF) drehen, nachdem sich die Maschine erwärmt hat.



5. WS-THERMOSCHALTER / ÜBERHITZUNGSSCHUTZ

Eine elektrische Überlastung führt automatisch zum Abschalten des Thermoschalters, um einen Kurzschluss bei Belastung bzw. Überbelastung zu vermeiden. Falls die Anzeige des AC-Überbelastungsschalters ansteigt, befindet sich der Überbelastungsschutzschalter auf 'OFF'. Nach einigen Minuten erneut die Taste des AC-Überbelastungsschutzschalters auf 'ON' stellen. Schaltet der Thermoschalter automatisch auf OFF muss der Thermoschalter erneut auf ON positioniert werden.

6. ÖL-ALARMSYSTEM (Ausnahme WX2200)

Das Öl-Alarmsystem wurde spezifisch zur Vorbeugung von Maschinenschäden entwickelt, die durch eine unzureichende Ölmenge im Kurbelwellengehäuse verursacht werden. Sinkt der Ölstand im Kurbelwellengehäuse unter das Sicherheitslimit, schaltet das Öl-Alarmsystem automatisch die Maschine ab (der Hauptschalter bleibt weiter auf ON), damit die Maschine keine durch Ölmangel verursachte Schäden erleiden kann.

BETRIEB DES GENERATORS

BETRIEBSDINGUNGEN DES GENERATORS:

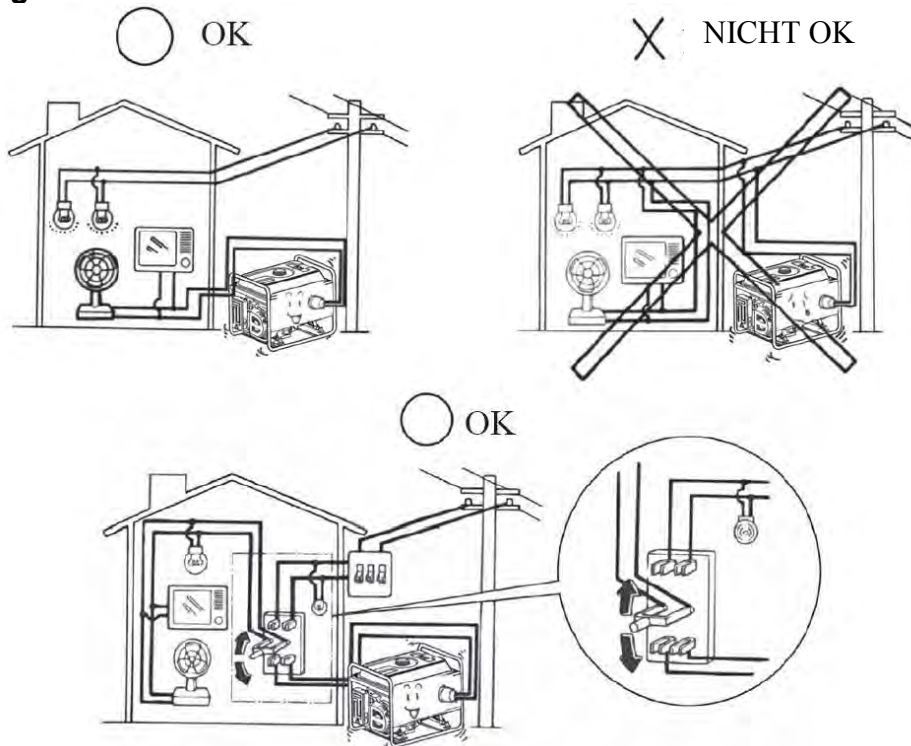
Temperaturbereich: $-15^{\circ}\text{C} \sim 40^{\circ}\text{C}$

Feuchtigkeit : niedriger als 95%

Höhe über dem Meeresspiegel: unter 100 m (bei mehr als 1000 m ü.d.M. kann die Leistung während des Betriebs niedriger sein).

1. ANSCHLUSS AN DIE ENERGIEVERSORGUNG IM HAUSHALT

Der Anschluss an die Energieversorgung im Haushalt muss durch einen qualifizierten Fachelektriker durchgeführt werden. Nach dem Anschluss ist eine Prüfung im Hinblick auf die Sicherheit und die Zuverlässigkeit durchzuführen, um Beschädigungen am Generator und Störungen während des Brenn- und Zündvorgangs zu vermeiden.



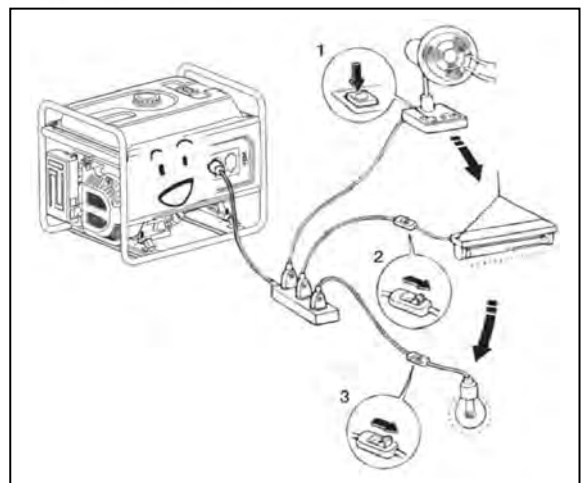
2. WECHSELSTROMVERSORGUNG

Bevor der Generator gestartet wird, die gesamte Leistungsaufnahme der Vorrichtungen prüfen (Gesamtwiderstand, Leistung und Induktanz), damit die Nennleistung des Generators nicht überschritten wird.

HINWEIS

Eine Überlastung führt zu einer erheblichen Reduzierung der Lebensdauer des Generators.

Wird der Generator an einen Mehrfachstecker oder an mehrere elektrische Geräte angeschlossen, bitte zuerst die Vorrichtung mit der größten Stromaufnahme, anschließend mit der zweitgrößten und zum Schluss mit der niedrigsten Stromaufnahme anschließen. Im Allgemeinen weisen Leistungs- und Induktanzladungen und vor allem motorangetriebene Einheiten beim Starten eine hohe Stromaufnahme auf.



3. BETRIEB IN GROSSER HÖHE

Bei großer Höhe ist die Kraftstoffmischung im Vergaser zu reich. Die ausgehende Leistung sinkt, während der Kraftstoffverbrauch ansteigt. Die Maschinenleistung kann durch die Montage einer Kraftstoffdüse von kleinerem Durchmesser im Vergaser und eine erneute Einstellung der Pilotschnecke verbessert werden. Falls die Maschine immer auf einer Höhe von mehr als 100 m über d.M. arbeiten muss, wird unsere Gesellschaft den Verkäufer zur Durchführung der Vergaseränderung berechtigen. Sollte dies nicht erfolgen, arbeitet der Generator mit einer geringeren Leistung.

Ist die Maschine mit einem entsprechenden Vergaser ausgestattet wird die Leistung der Maschine alle 300 m Steigerung der Höhe um ca. 3,5 % sinken. Wurde am Vergaser keine Änderung durchgeführt, verstärkt sich die Wirkung der Höhe auf die Leistung.

HINWEIS

Falls ein für große Höhen bestimmter Vergaser mit Maschinen ausgestattet ist, die für eine niedrigere Höhe vorgesehen sind, wird die luftarme Kraftstoffmischung eine geringere Leistung, Überwärme und ernsthafte Beschädigungen verursachen.

KONTROLLEN VOR DEM BETRIEB

1. MASCHINENÖL

HINWEIS

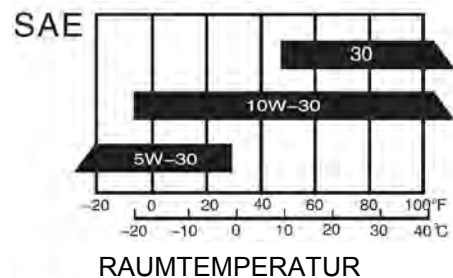
Das Maschinenöl ist der bedeutendste Faktor für die Leistung und die Lebensdauer der Maschine. Ungereinigtes und 2-Taktmaschinenöl kann die Maschine beschädigen und ist deshalb nicht empfehlenswert. Vor jeder Benutzung muss der Ölstand bei gestoppter Maschine gemessen werden.

Empfohlenes Öl

4-Takt-Benzinöl

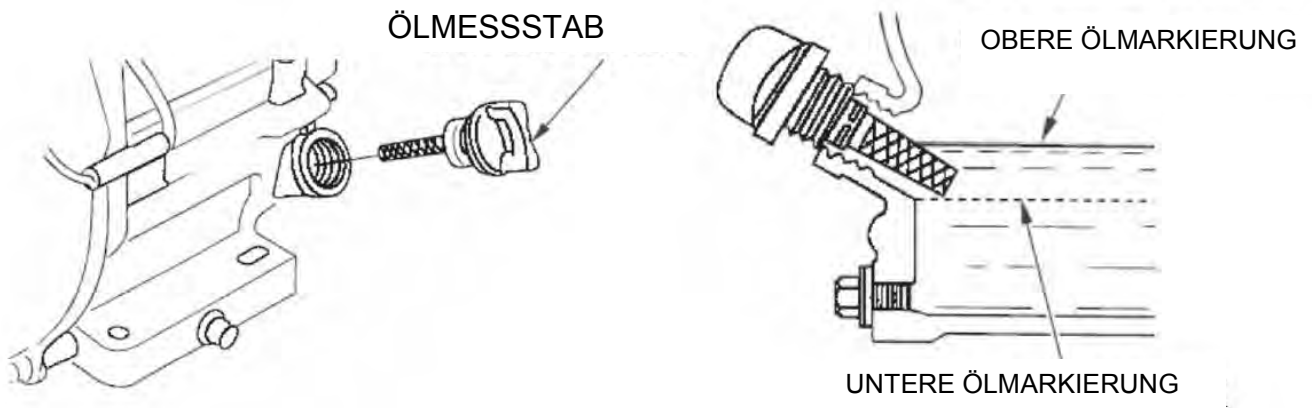
API Service Klassifikation SF

oder SAE 10W-30 gleichwertiger SG-Klasse



Vorgehensweise zur Ölstandkontrolle:

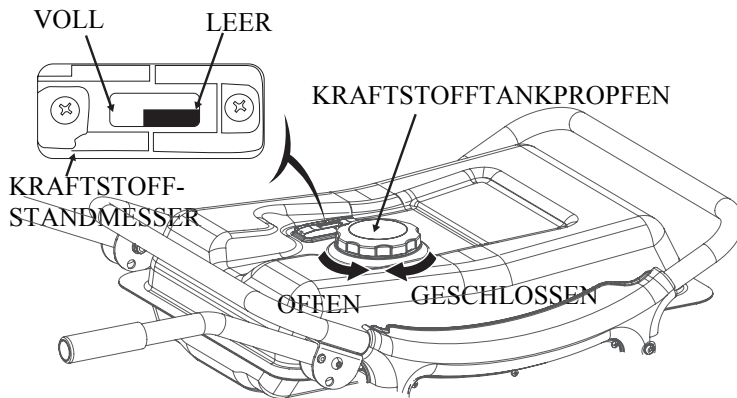
Den Ölbefüllungspropfen entfernen und den Ölmesstab reinigen. Nun den Ölstand prüfen, indem man den Ölmesstab in die Öffnung einschiebt, ohne ihn fest einzustecken. Ist der Ölstand niedrig muss empfohlenes Öl bis zur oberen Markierung des Ölmesstabs nachgefüllt werden. Nach dem Nachfüllen nicht vergessen, den Ölmesstab erneut einzuschieben und anzuschrauben.



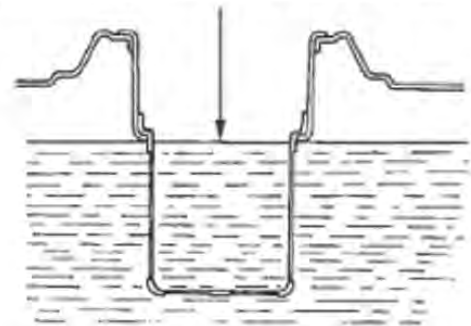
2. KRAFTSTOFF

1. Den Kraftstoffstandmesser kontrollieren

2. Sollte der Kraftstoffstand niedrig sein, muss Kraftstoff nachgefüllt werden. Nie Kraftstoff bis über den Kraftstofffilter einfüllen.
3. Nach dem Nachfüllen den Kraftstofftankstöpsel erneut aufsetzen und einschrauben



MAXIMALER KRAFTSTOFFSTAND



KRAFTSTOFFFILTER



- Die Nachfüllarbeiten sind bei gut gelüfteten Räumen und abgeschalteter Maschine durchzuführen. Während der Durchführung dieser Arbeiten ist Rauchen untersagt, ebenso sind offene Flammen oder Funken in dem Bereich verboten, in welchem man den Kraftstoff nachfüllt.
- Es dürfen kein Öl oder Benzinmischungen bzw. Benzin eingesetzt werden, die Unreinheiten enthalten.

Benzin mit ≥ 90 Oktan einsetzen

Es wird bleifreies Benzin empfohlen, da es weniger Ablagerungen an der Maschine und am Funkenzünder erzeugt und die Lebensdauer des Absaugsystems verlängert.

Kein altes oder verseuchtes Benzin bzw. Öl-/Benzin-Mischung verwenden. Unbedingt vermeiden, dass Schmutz oder Wasser in den Kraftstofftank gelangt.

INBETRIEBNAHME DER MASCHINE

1. REVERSIERSTARTER

1. Alle Verbraucher am Ausgang entfernen.
2. Das Kraftstoffventil auf "ON" positionieren.
3. Den AC-Thermoschalter auf "OFF" positionieren.
4. Den Drosselhebel auf die Position "GESCHLOSSEN" positionieren.

HINWEIS

Falls die Maschine im warmen Zustand gestartet wird, den Drosselhebel nicht schließen.

5. Den Generatorschalter auf "ON" positionieren.
6. Den Startergriff ziehen, bis die man die Kompression hört und nun schnell ziehen.
7. Den Drosselhebel auf "OFFEN" positionieren, sobald die Maschine warm ist.
8. Bevor der Magnetthermoschalter auf ,ON' positioniert wird, dürfen keine elektrischen Geräte benutzt werden.

HINWEIS

Falls die Maschine im warmen Zustand gestartet wird, den Drosselhebel nicht schließen.

4. Den Generatorschalter auf "ON" positionieren.
5. Den Startergriff ziehen, bis die man die Kompression hört und nun schnell ziehen.
6. Den Drosselhebel auf "OFFEN" positionieren, sobald die Maschine warm ist.

HINWEIS

Wir der Generatorschalter mehr als 5 Sekunden in der elektrischen Startposition gehalten, kann dies zur Beschädigung des Startermotors führen. Sollte der Startversuch fehlschlagen, den Schalter loslassen, 10 Minuten abwarten und den Vorgang wiederholen.

Falls die Geschwindigkeit des Startermotors nach einem bestimmten Zeitraum holprig erscheint, kann ein Aufladen der Batterie notwendig werden.

ABSCHALTEN DER MASCHINE

1. Den AC-Thermoschalter auf OFF positionieren.
2. Den Generatorschalter auf OFF positionieren.
3. Das Kraftstoffventil auf OFF positionieren.

HINWEIS

Wird die Maschine in Notfunktion gestoppt, geht der Generatorschalter auf die Position OFF.

WARTUNG

Eine ordnungsgemäße Wartung ist für die Sicherheit, die Wirtschaftlichkeit und den korrekten Betrieb grundlegend. Außerdem trägt sie zur Reduzierung der Luftverschmutzung bei.



WARNUNG

Die erzeugten Abgase enthalten Kohlenmonoxid. Bevor irgendein Wartungseingriff durchgeführt wird, muss die Maschine abgeschaltet werden. Muss für einen bestimmten Eingriff die Maschine in Betrieb bleiben, sicherstellen, dass der Raum gut gelüftet wird.

Damit sich der Generator in einem guten Betriebszustand befindet sind regelmäßige Wartungseingriffe und Einstellungen notwendig. Die Arbeiten und Kontrollen sind in den in der nachstehenden Wartungstabelle aufgeführten Zeitabständen durchzuführen:

ORDNUNGSGEMÄSSER BETRIEBSZEITRAUM		Bei je- dem Ge- brauch	1.Mo- nat oder 20 Std.(3)	Alle 3 Monate bzw. 50 Std. (3)	Alle 6 Monate bzw. 100 Std.. (3)	Jährlich bzw. alle 300 Std. (3)
Maschinenöl	Ölstand messen	○				
	Ölwechsel		○		○	
Luftreiniger	Kontrolle	○				
	Reinigung			○ (1)		
Ablagerungsgefäß	Reinigung				○	
Zündkerze	Reinigung				○	Er- neuern
Ventilspielraum	Kontrolle- Einstellung					○ (2)
Zylinderdeck	Reinigung	Alle 300 Stunden (2)				
Kraftstofftank und Saugfilter	Reinigung	Alle 2 Jahre (2)				
Kraftstoffleitung	Austausch	Alle 2 Jahre (2)				
WX1200–WX3250 Zylinderkopf und Kolbenkopf	Kohlenstoff- reinigung	Alle 125 Stunden (2)				
WX5500–WX7000 Zylinderkopf und Kolbenkopf	Kohlenstoff- reinigung	Alle 250 Stunden (2)				

1. Die Wartungseingriffe sind häufiger durchzuführen, wenn der Generator in schmutzigen Bereichen arbeitet.
2. Diese Punkte müssen durch einen autorisierten Kundendienst durchgeführt werden.
3. Sollte der Generator sehr häufig verwendet werden können nur häufigere Wartungseingriffe eine lange Lebensdauer des Generators sichern.



WARNUNG

**Eine unsachgemäße oder die mangelnde Behebung eines Problems vor der Inbetriebnahme kann zur Fehlfunktionen führen, die zur ernsthaften Verletzungs- und sogar Todesgefahr werden kann.
Bei allen Kontrollen und Wartungsarbeiten sind stets die in diesem Betriebshandbuch aufgeführten Empfehlungen und Anweisungen zu beachten.**

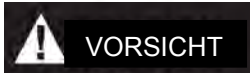
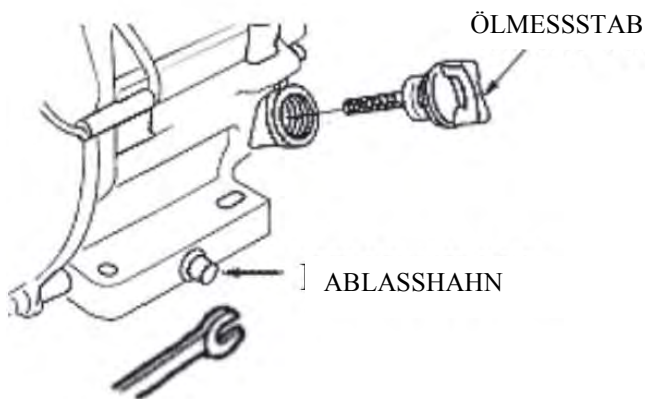
1. MASCHINENÖL-WECHSEL

Das Öl ablassen solange die Maschine noch warm ist, damit ein komplettes und schnelles Entleeren gesichert werden kann.

1. Den Ölmesstab entfernen und das Öl durch den Ablasshahn ablassen
2. Den Ablasshahn erneut montieren und dann fest anziehen
3. Öl nachfüllen und den Ölstand messen.

Ölfassungsvermögen: WX1200 - WX2200-WX3200 -WX3250 : 0.6 Liter

WX5000 - WX5500 -WX6200-WX6250-WX7000 : 1 Liter



Bitte beziehen sich auf das Sicherheitsdatenblatt des eingesetzten Öls

Das Öl muss entsprechend den vor Ort geltenden Bestimmungen eingesetzt werden.

2. LUFTBEHANDLUNG

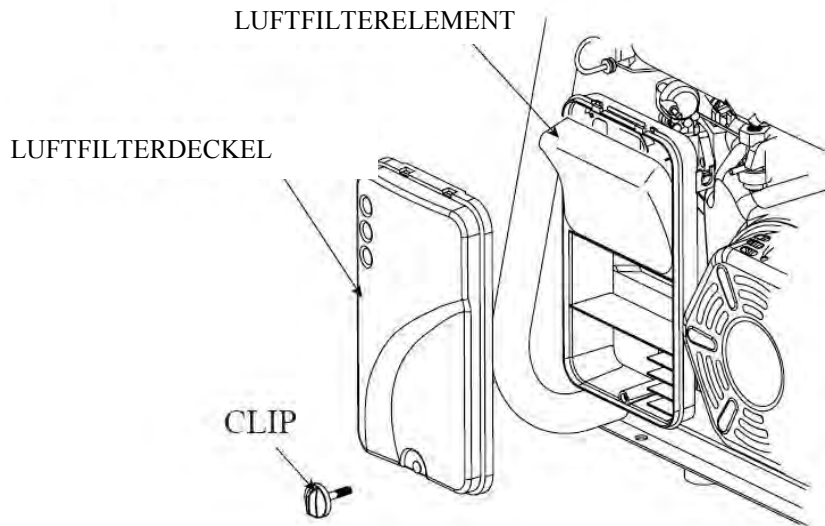
Eine schmutzige Luftbehandlungsanlage reduziert den Luftstrom zum Vergaser. Um Fehlfunktionen des Vergasers vorzubeugen, sollte die Luftbehandlungsanlage regelmäßig gereinigt werden. Diese Reinigungsarbeiten sind bei sehr schmutzigen Arbeitsbereichen häufiger durchzuführen.

HINWEIS

Der Einsatz von Benzin enthaltenden oder entflammaren Lösungsmitteln zur Reinigung der Filterelemente stellt eine Brand- bzw. Explosionsgefahr dar. Man sollte nur Wasser mit Seife oder nicht entflammare Lösungsmittel verwenden.

Der Generator darf nie ohne die Luftbehandlungsanlage eingesetzt werden, da man sonst Schäden an der Maschine verursachen kann.

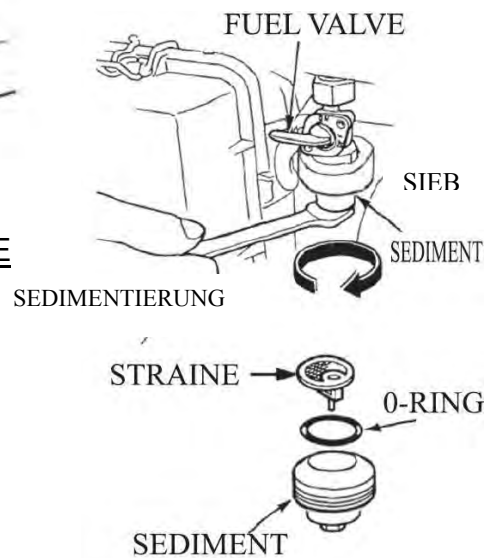
1. Den Luftfilterclip und den Luftdeckel öffnen. Den Luftfilter kontrollieren; er muss sauber und komplett sein.



3. Nun den Luftfilter und den Deck erneut montieren.

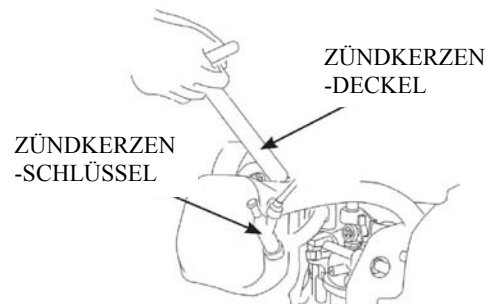
3. REINIGUNG DER BRENNSTOFF-FILTERTASSE

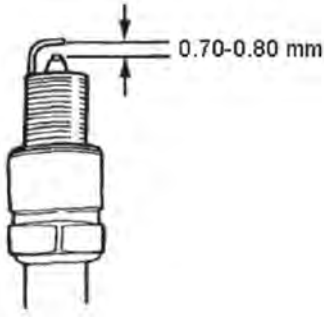
1. Den Benzinhahn auf die Position OFF stellen. Die Sedimentationstasse, den O-Ring und das Sieb in Pfeilrichtung herausziehen
2. Die Sedimenttaste, den O-Ring sowie das Filterelement reinigen; dazu kein brennbares Lösungsmittel oder Lösungsmittel mit hohem Flammpunkt verwenden.
3. O-Ring und Sieb erneut montieren. Die Sedimentierungstasse erneut einschrauben.
4. Den Benzinhahn auf ON positionieren und die Dichtigkeit prüfen



4. ZÜNDKERZENWARTUNG

1. Empfohlene Zündkerzen: RTC oder gleichwertiges Modell
2. Den Zündkerzendeckel entfernen
3. Dazu den spezifischen Schlüssel verwenden
4. Eine Sichtkontrolle der Zündkerze durchführen: sollte die Isolierung beschädigt oder gerissen sein muss eine neue Zündkerze eingesetzt werden.
5. Den Abstand der Elektroden mit einem Kaliber messen; bei Bedarf durch ein vorsichtiges Biegen der Masseelektrode korrigieren. Der Abstand sollte zwischen 0,70 – 0,80 mm liegen.
6. Die Dichtung der Zündkerze kontrollieren.
7. Die Zündkerze erneut montieren, mit dem Schlüssel gut anziehen

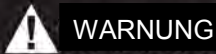




HINWEIS

Bitte verwenden Sie eine Zündkerze mit einem entsprechenden Wärmerange.

LAGERUNG

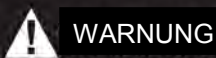
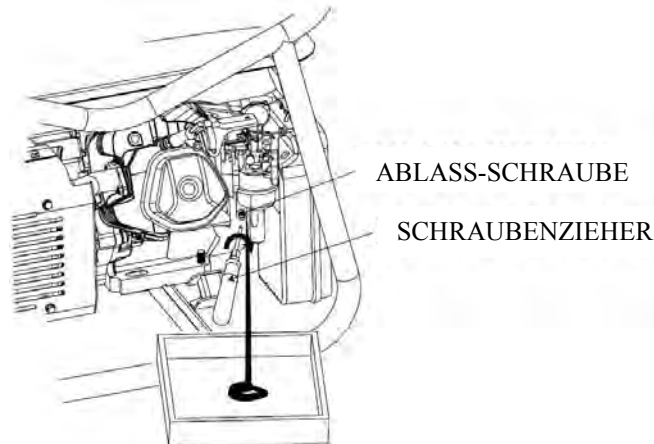


WARNUNG

Um Kontakte mit dem heißen Motor oder einer heißen Abgasanlage und demzufolge Verbrennungen und sogar Brandgefahren zu vermeiden, muss der Motor abgekühlt sein, bevor man den Generator lagert.

Falls die Maschine für einen längeren Zeitraum eingelagert werden sollte, sicherstellen dass der Bereich, in welchem die Maschine gelagert ist, frei von Staub und Feuchtigkeit ist.

1. Das Benzin aus dem Tank ablassen, das Sieb reinigen und anschließend erneut O-Ring und Sedimentationstasse montieren. Den Kraftstoff aus dem Vergaser entleeren, indem man den Ablasshahn öffnet und dann wieder zuschraubt.



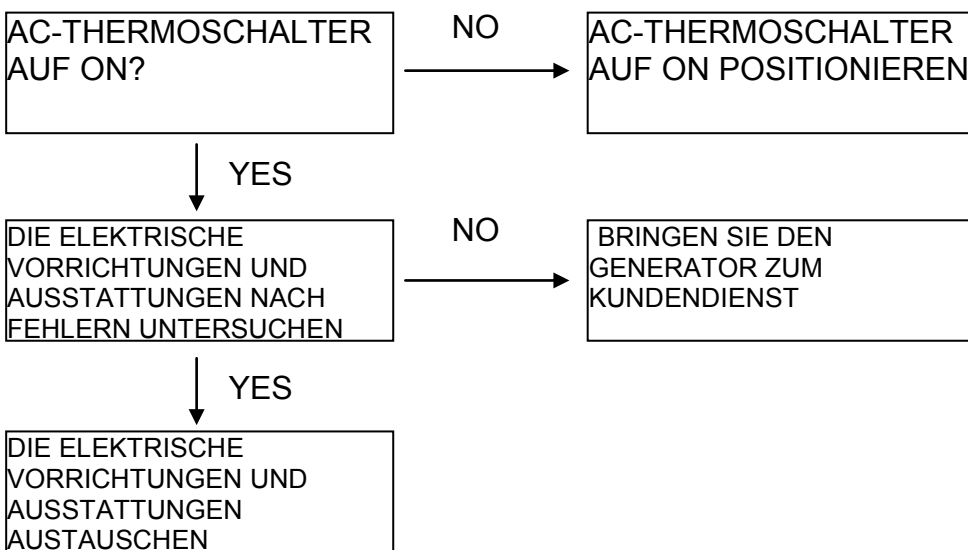
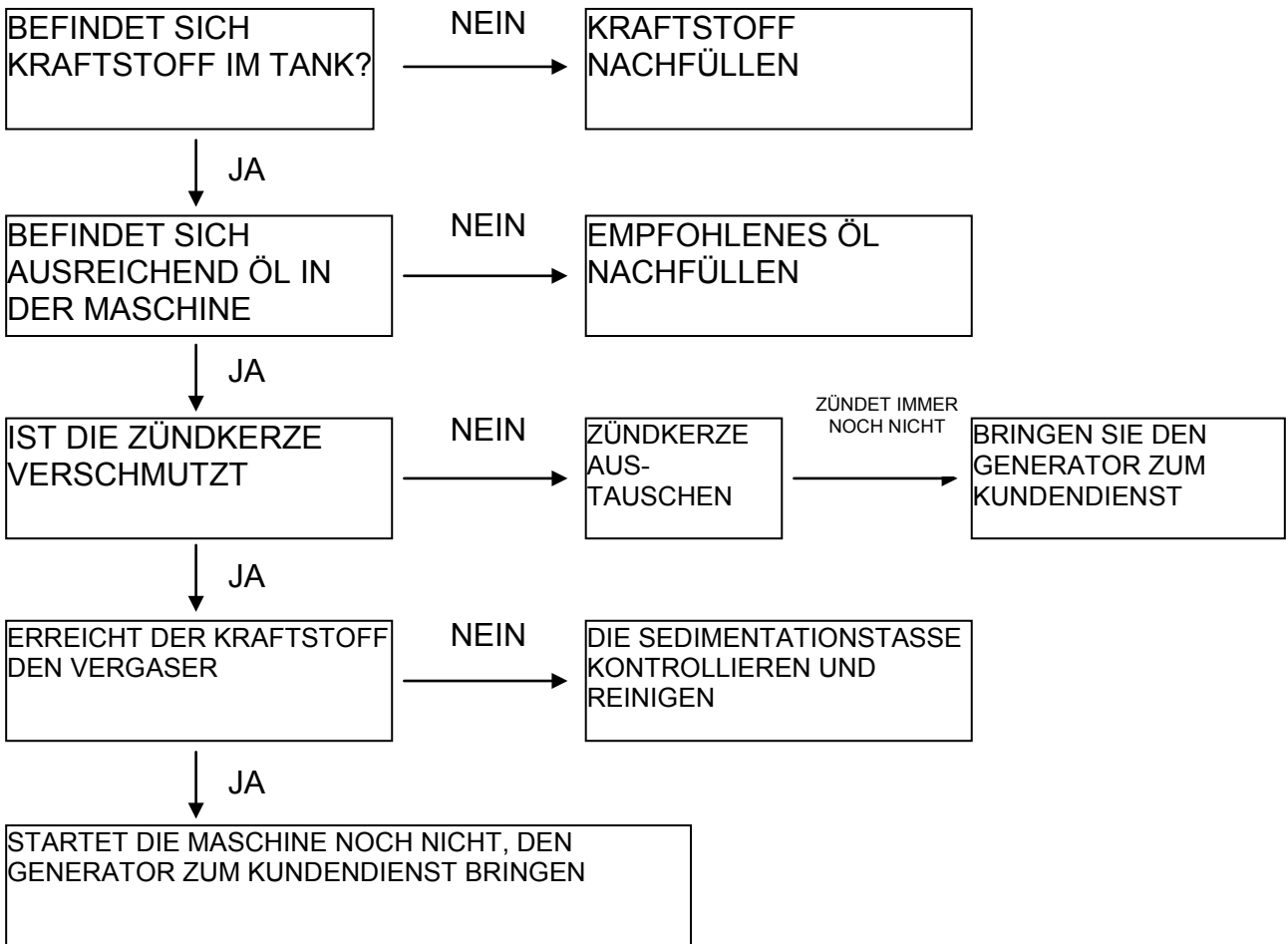
WARNUNG

Benzin ist extrem entflammbar und unter gewissen Bedingungen auch explosiv. Den Kraftstoff in einem gut gelüfteten Raum, bei abgeschaltetem Motor ablassen. Auf keinen Fall während dieser Arbeit rauchen oder offene Flammen und Funken in der Umgebung verwenden.

2. Den Ölmesstab ausschrauben, die Ablassschraube am Kurbelgehäuse abschrauben und das Öl entleeren. Dann erneut die die Schraube anziehen und frisches Öl der empfohlenen Menge einfüllen. Zum Schluss den Ölmesstab erneut einschrauben.
3. Die Zündkerze entfernen und einen Esslöffel sauberes Motorenöl in den Zylinder geben. Durch mehrere Umdrehungen des Motors das Öl gut verteilen und anschließend erneut die Zündkerze einschrauben.
4. Langsam die Kurbelwelle bis zum Widerstand ziehen. Die Ein- und Ablassventile müssen geschlossen sein.
5. Den Generator an einer sauberen Stelle abstellen.

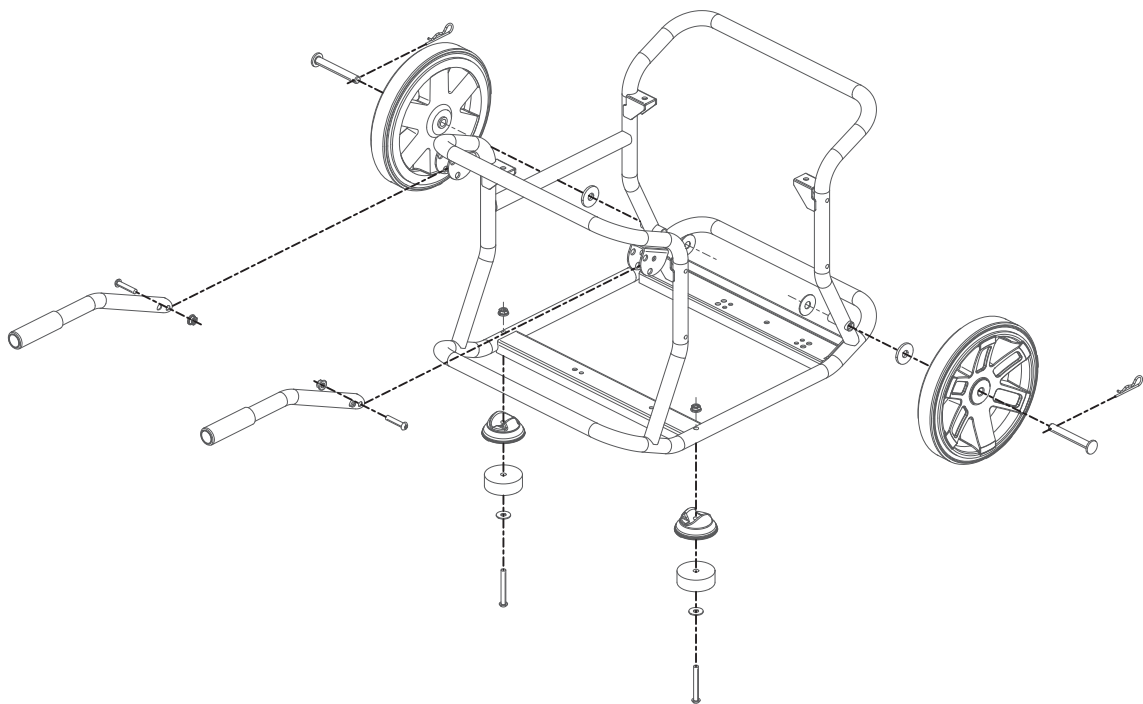
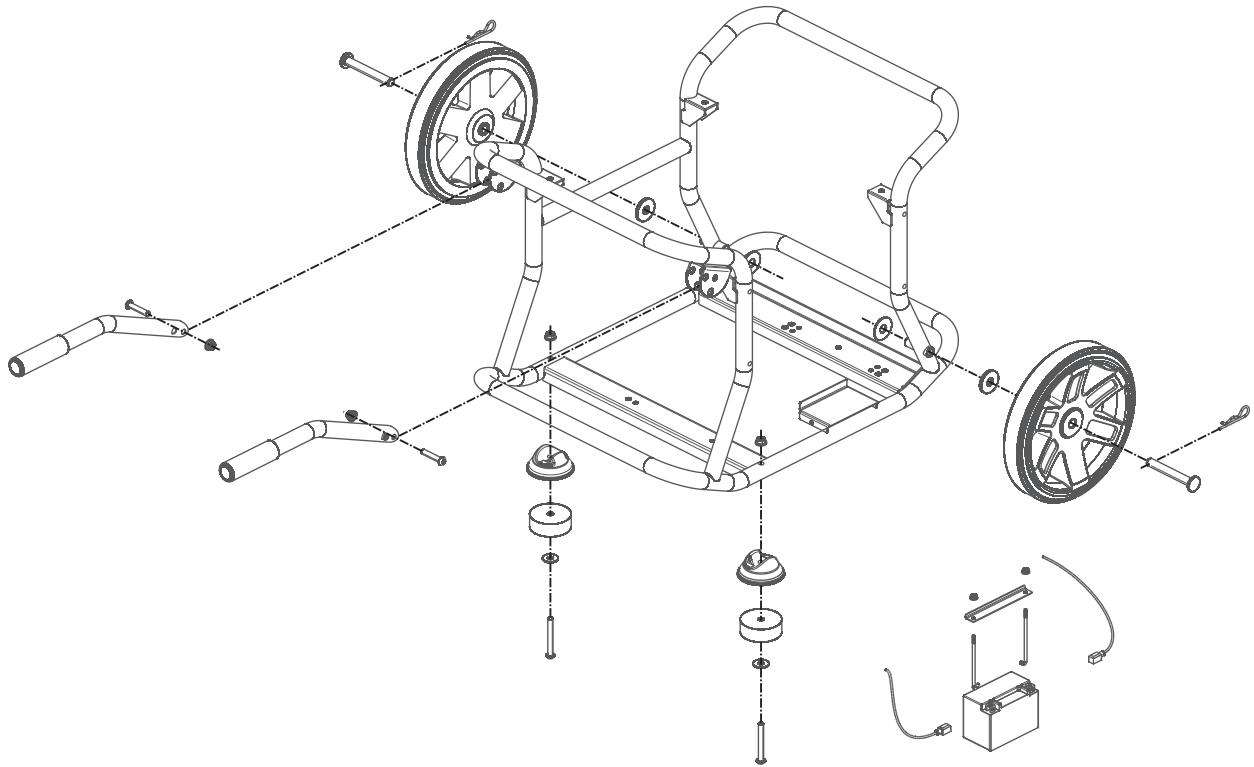
BETRIEBSPROBLEME

MASCHINE STARTET NICHT:



RÄDER-KIT

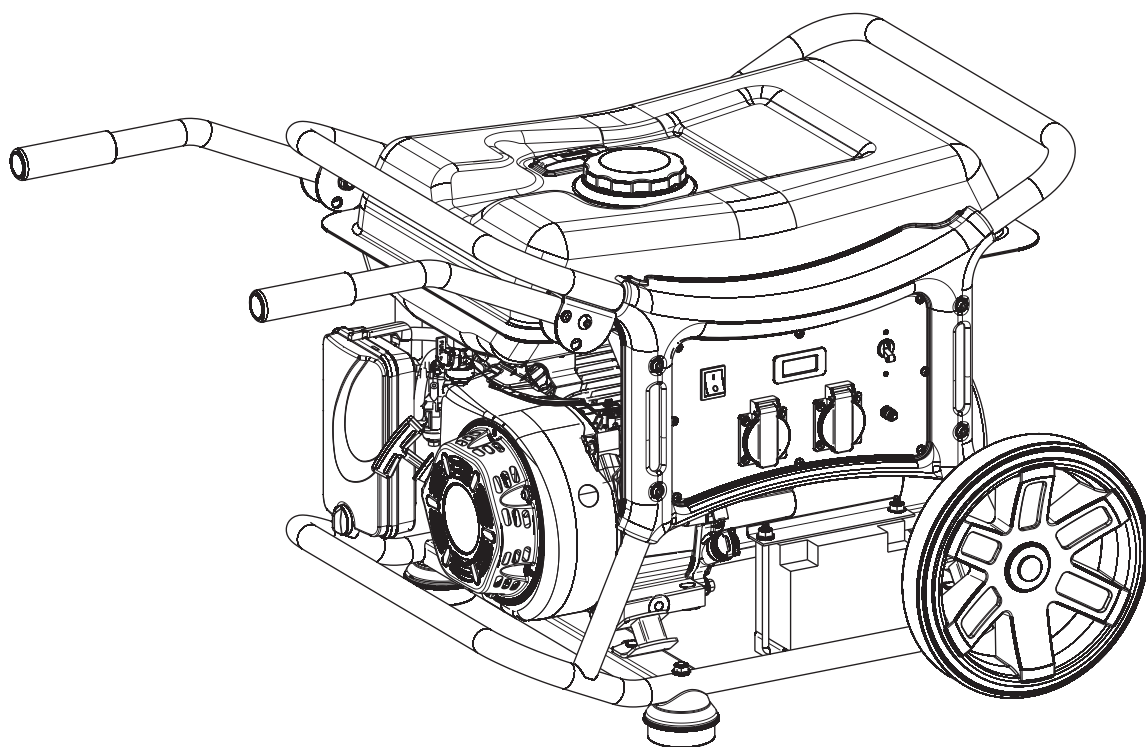
1. Die beiden Räder an die Radachse mit Hilfe von Dichtungen und Stiften montieren.
2. Das Rad an das Bodenblech des Generatorrahmens mit Hilfe von Bolzen und Muttern verbinden.
3. Den Griff am Rahmen befestigen





Instrukcja u̇ytkownika

WX



Dziękujemy Państwu za wybranie generatora naszej firmy.

Niniejsza instrukcja zawiera informacje na temat jego obsługi. Należy ją uważnie przeczytać przed rozpoczęciem użytkowania urządzenia. Bezpieczna i prawidłowa obsługa pozwoli uzyskać najlepsze wyniki użytkowania.

Wszystkie informacje zawarte w niniejszej instrukcji obsługi dotyczą ostatniej wersji wyprodukowanych urządzeń. Zawartość instrukcji może różnić się od rzeczywistych urządzeń, ze względu na wprowadzone w międzyczasie zmiany do wyrobów.

Nasza firma zastrzega sobie prawo do wprowadzania w każdej chwili zmian, bez uprzedzenia i bez żadnych zobowiązań. Nadana niniejszej dokumentacji nie może być powielana bez pisemnej zgody naszej firmy.

Niniejsza instrukcja jest integralną częścią generatora. W przypadku odsprzedaży urządzenia, należy ją przekazać kupującemu.

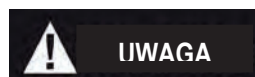
OSTRZEŻENIA BEZPIECZEŃSTWA

Bezpieczeństwo użytkownika oraz osób postronnych jest bardzo ważne. Umieściliśmy ważne ostrzeżenia bezpieczeństwa w instrukcji oraz na generatorze. Należy je uważnie przeczytać.

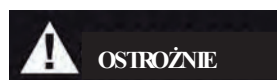
Ostrzeżenia bezpieczeństwa ostrzegają przed potencjalnym niebezpieczeństwem, które może spowodować obrażenia użytkownika lub innych osób. Każde ostrzeżenie jest poprzedzone symbolem i jednym z trzech słów: NIEBEZPIECZEŃSTWO, UWAGA lub OSTROŻNIE. Oznaczają one:



Nieprzestrzeganie instrukcji SPOWODUJE ŚMIERĆ lub POWAŻNE OBRAŻENIA.



Nieprzestrzeganie instrukcji MOŻE SPOWODOWAĆ ŚMIERĆ lub POWAŻNE OBRAŻENIA.



Nieprzestrzeganie instrukcji MOŻE SPOWODOWAĆ OBRAŻENIA.



Nieprzestrzeganie instrukcji może spowodować uszkodzenie generatora lub innych przedmiotów.

PR INDUSTRIAL s.r.l.
Loc. Il Piano
CAP 53031, Casole D'Elsa (SI)
WŁOCHY

SPIS TREŚCI

UWAGI NA TEMAT BEZPIECZEŃSTWA	96
IDENTYFIKACJA KOMPONENTÓW.....	97
STEROWANIE	99
UŻYTKOWANIE GENERATORA.....	100
KONTROLA PRZED URUCHOMIENIEM.....	101
URUCHAMIANIE SILNIKA	103
ZATRZYMYWANIE SILNIKA.....	103
KONSERWACJA.	104
MAGAZYNOWANIE	107
USUWANIE USTEREK	108
ZESTAW KÓŁ.....	109
DEKLARACJA CE.	110
TABLICZKA IDENTYFIKACYJNA.....	110

UWAGI NA TEMAT BEZPIECZEŃSTWA

1. NORMY BEZPIECZEŃSTWA

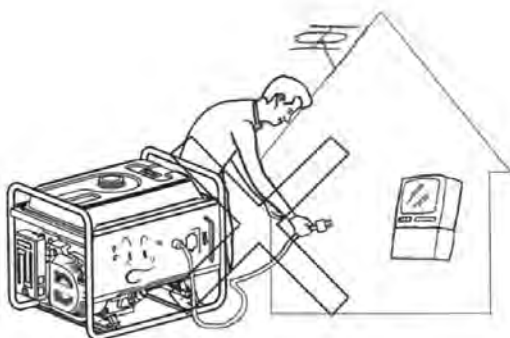
Należy przeczytać i zrozumieć niniejszą instrukcję przed uruchomieniem generatora. Znajomość elementów sterowania oraz przestrzeganie procedur bezpiecznego użytkownika pozwala zapobiec wypadkom.



Nie używać w pomieszczeniach.



Nie używać w warunkach wilgoci



Nie przyłączać bezpośrednio do domowej sieci zasilania



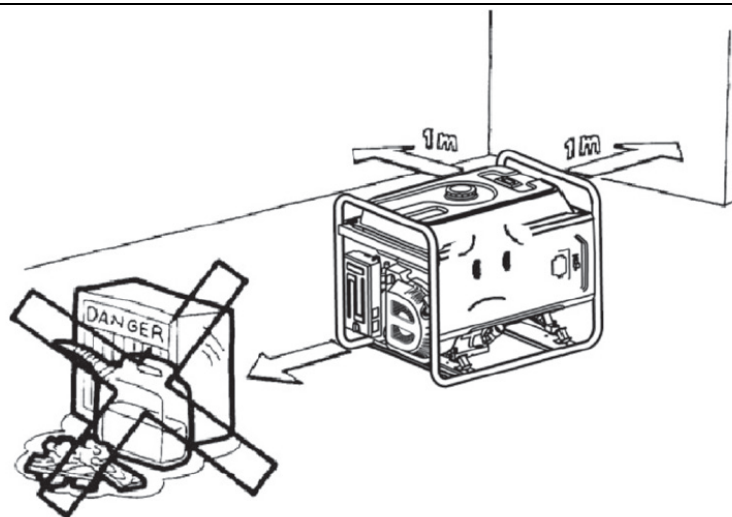
Nie palić podczas uzupełniania paliwa



Nie doprowadzać do przelania się paliwa podczas jego uzupełniania.



Zatrzymać silnik przed dolaniem paliwa

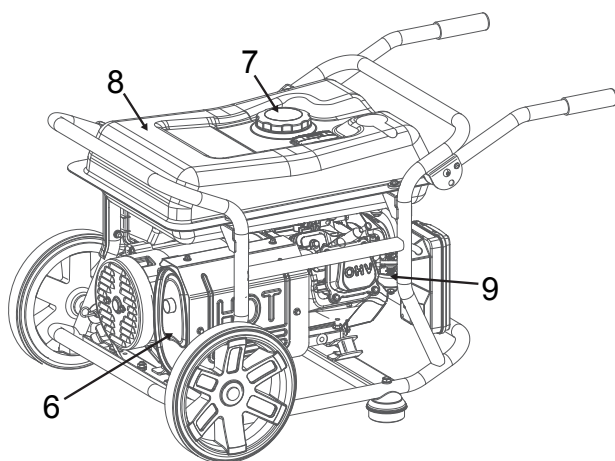
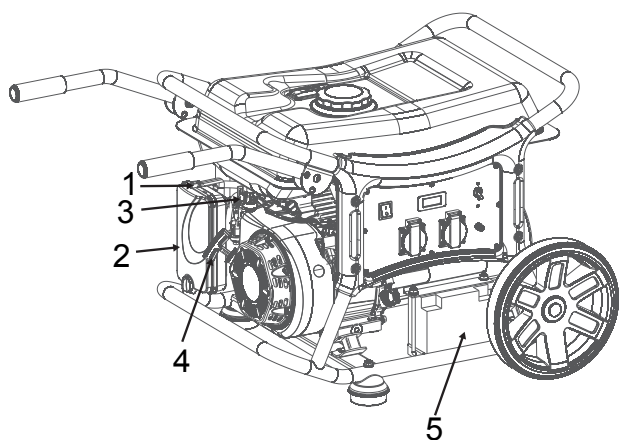


Urządzenie należy ustawić, w odległości co najmniej 1 m od materiałów łatwo palnych

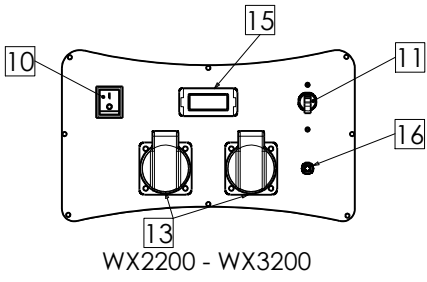
2. WYMAGANIA SPECJALNE

- Wyposażenie elektryczne, wliczając w to gniazdka i przewody, musi być nieuszkodzone i bezotarowe.
- Wyłączniki termiczne i instalacyjne muszą być zwymiarowane odpowiednio do generatora. Jeśli wyłączniki muszą zostać wymienione, należy je zastąpić wyłącznikami o takich samych danych znamionowych i parametrach działania

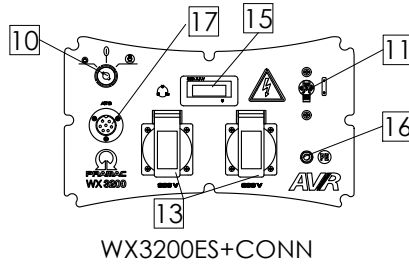
IDENTYFIKACJA KOMPONENTÓW



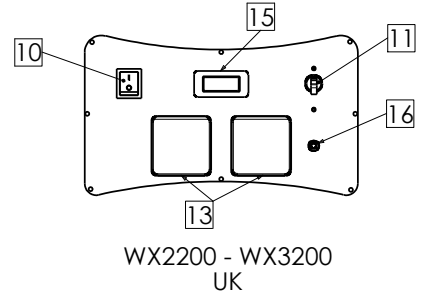
1	DŹWIENIA SSANA
2	FILTR POWIETRZA
3	ZAWÓR PALIWA
4	UCHWYT ROZRUSZNIKA
5	AKUMULATOR (ES)
6	TŁUMIK
7	ZATYCZKA ZBIORNIKA PALIWA
8	ZBIORNIK PALIWA
9	GAŚNIK
10	WYŁĄCZNIK GENERATORA
11	WYŁĄCZNIK OBWODU
12	WYŁĄCZNIK GNIAZDKA
13	GNIAZDKO
14	GNIAZDKO CEE
15	GODZINOMIERZ – WOLTOMIERZ – CZ STOŁTWO CIOMIERZ
16	UZIEMIENIE
17	ZŁĄCZE SZR (POŁĄCZ)



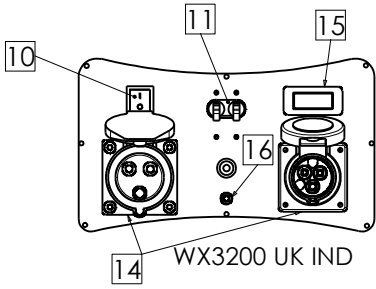
WX2200 - WX3200



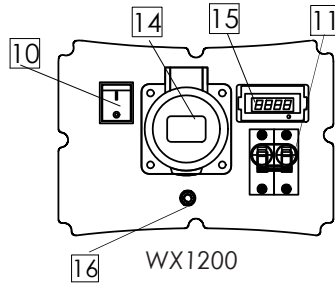
WX3200ES+CONN



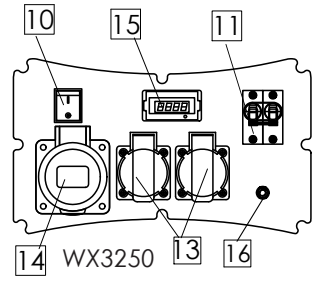
WX2200 - WX3200
UK



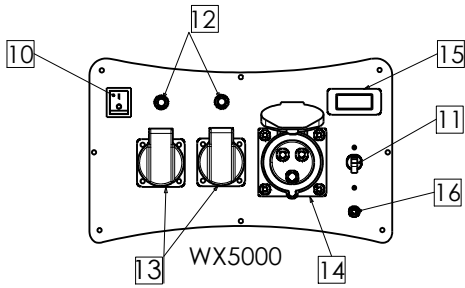
WX3200 UK IND



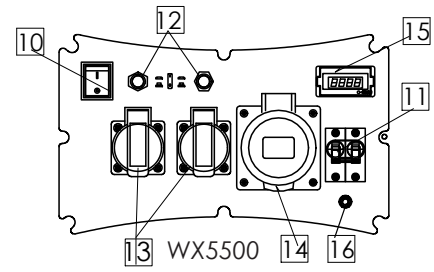
WX1200



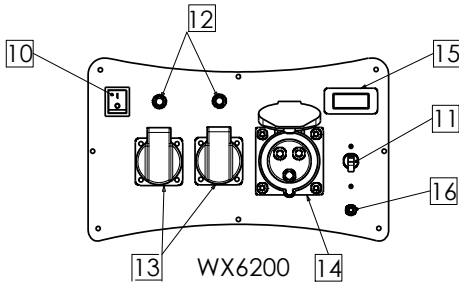
WX3250



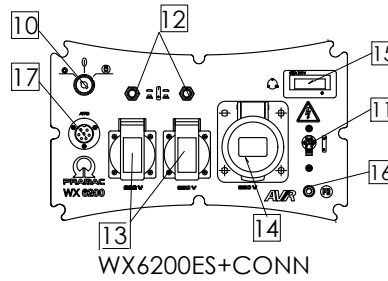
WX5000



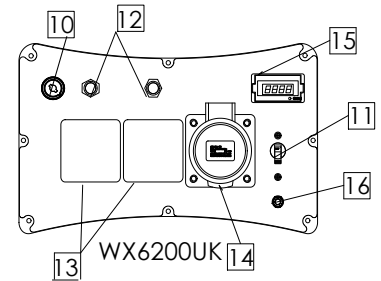
WX5500



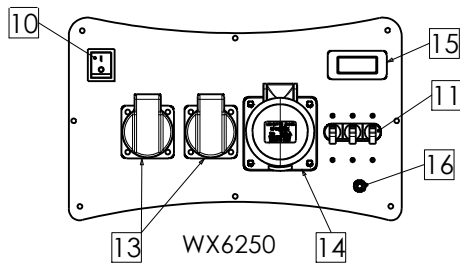
WX6200



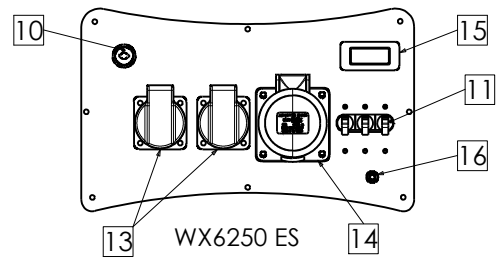
WX6200ES+CONN



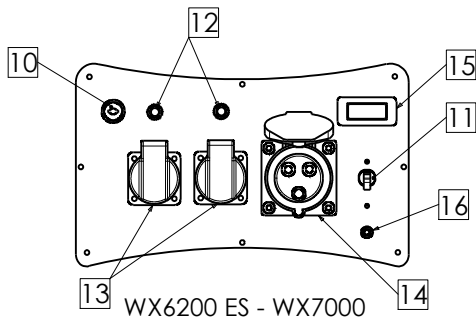
WX6200UK



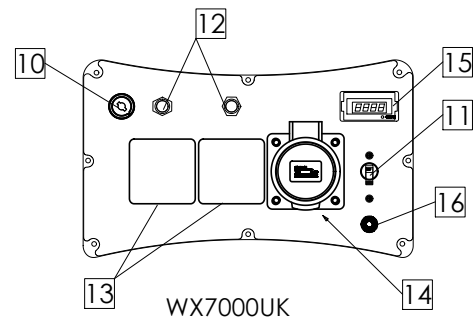
WX6250



WX6250 ES



WX6200 ES - WX7000

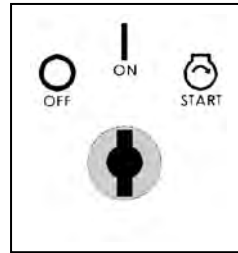
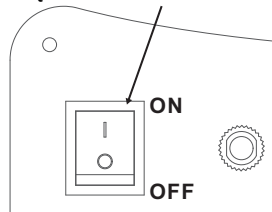


WX7000UK

STEROWANIE

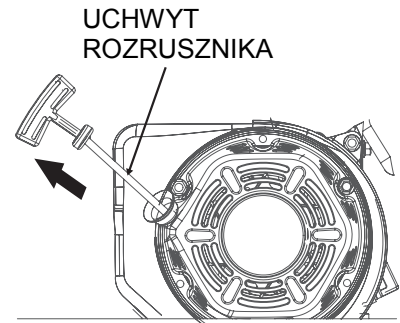
1. WYŁĄCZNIK GENERATORA

WYŁĄCZNIK GENERATORA



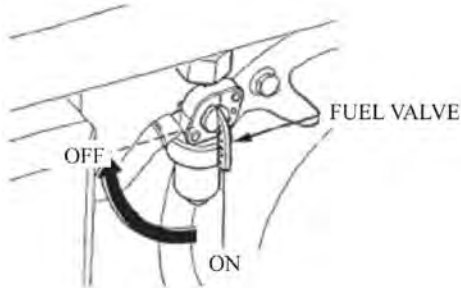
2. ROZRUSZNIK MECHANICZNY

W celu uruchomienia silnika, należy lekko pociągnąć uchwyt rozrusznika, aż wyczuje się opór, a następnie pociągnąć energicznie.



WAZNE

**Nie pozwolić, aby uchwyt powracając uderzył o silnik.
Delikatnie nawinać linkę, aby uniknąć uszkodzenia rozrusznika.**

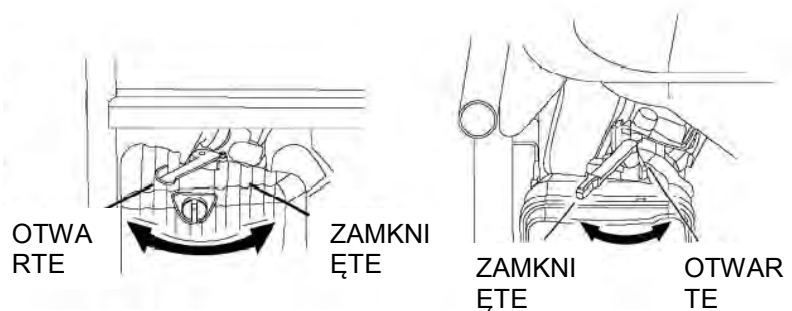


3. ZAWÓR PALIWA

Zawór paliwa kontroluje przepływ paliwa ze zbiornika do gaźnika. Po zatrzymaniu silnika, należy przywrócić dźwignię w położenie „OFF”.

4. DŹWIGNIA SSANIA

Dźwignia ssania jest elementem ułatwiającym rozruch zimnego silnika poprzez wzbogacenie mieszanki paliwa i powietrza. Gdy silnik się rozgrzeje, należy powoli ustawić dźwignię w położeniu „OPEN”.



5. WYŁĄCZNIK OBWODU AC / WYŁĄCZNIK PRZECIĄŻENIOWY

Prąd przeciążeniowy spowoduje automatyczne wyłączenie wyłącznika obwodu, aby uniknąć zwarcia lub przeciążenia. Jeśli wskaźnik zabezpieczenia nadprądowego AC jest uniesiony, oznacza to, że znajduje się w położeniu „OFF”. Wcisnąc przycisk zabezpieczenia nadprądowego AC ponownie w położenie „ON” kilka minut później. Jeśli wyłącznik obwodu przełączy się na OFF automatycznie, należy ponownie przełączyć go na ON.

6. SYSTEM KONTROLI POZIOMU OLEJU

System kontroli poziomu oleju pozwala na uniknięcie uszkodzeń silnika z powodu niewystarczającej ilości oleju. W przypadku obniżenia poziomu oleju poniżej minimum,

system automatycznie wyłączy silnik (choć włącznik generatora pozostanie w położeniu ON), dzięki czemu silnik będzie zabezpieczony przed uszkodzeniem wynikającym z niewystarczającej ilości oleju.

UŻYTKOWANIE GENERATORA

Warunki robocze generatora:

Temperatura: $-15^{\circ}\text{C}\sim 40^{\circ}\text{C}$.

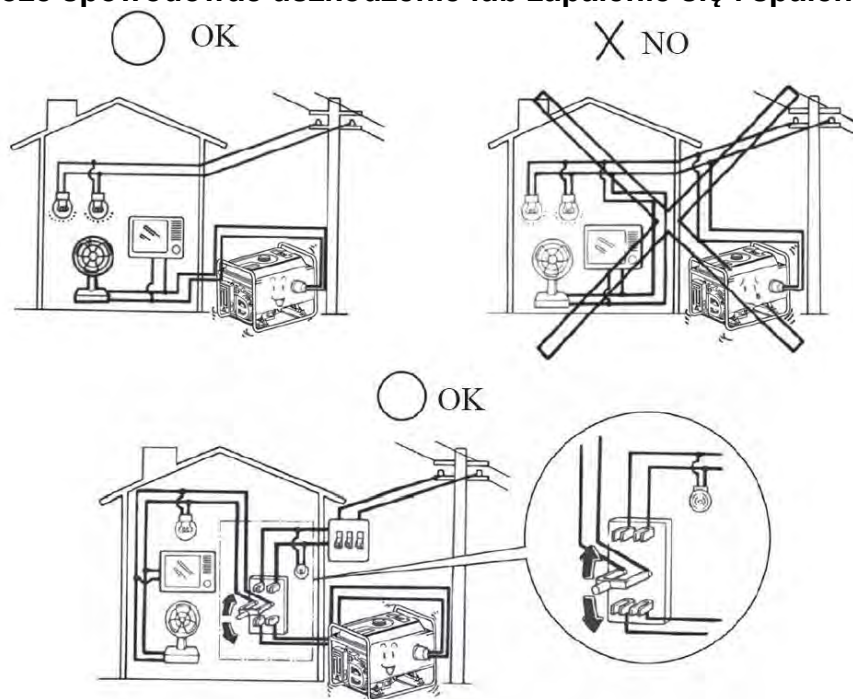
Wilgotność: poniżej 95%.

Wysokość nad poziomem morza: poniżej 1000 m (jeśli wysokość n.p.m. przekracza 1000 m, należy zmniejszyć generowaną moc).

1. PRZYŁĄCZENIE DO DOMOWEJ SIECI ZASILANIA

WAZNE

Przyłączenie generatora do domowej sieci zasilania musi zostać przeprowadzone przez wykwalifikowanego elektryka. Po przyłączeniu, należy uważnie sprawdzić połączenie elektryczne pod względem bezpieczeństwa i niezawodności. Niesprawne połączenie może spowodować uszkodzenie lub zapalenie się i spalenie generatora.



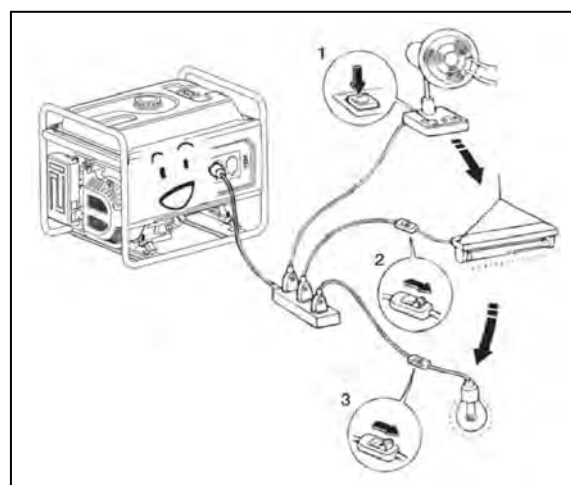
2. PRĄD ZMIENNY

Przed uruchomieniem generatora, należy upewnić się czy całkowity pobór mocy urządzenia (łącznie obciążenie oporowe, pojemnościowe i indukcyjne) nie przekracza znamionowej mocy agregatu.

WAZNE

Przeciążanie generatora w znacznym stopniu przyczynia się do jego przedwczesnego zużycia.

Jeśli generator jest przyłączony do kilku odbiorników, należy podłączyć najpierw odbiornik o maksymalnym zużyciu prądu, następnie o średnim, a na końcu o minimalnym. Zasadniczo, odbiorniki pojemnościowe i indukcyjne, w szczególności napędy silnikowe, charakteryzują się dużym poborem prądu w momencie uruchamiania.



3. EKSPLOATACJA NA DUŻYCH WYSOKOŚCIACH

Na dużych wysokościach standardowa mieszanka powietrza i paliwa w gaźniku będzie zbyt bogata. Wytwarzana moc zmniejszy się, a zużycie paliwa ulegnie zwiększeniu. Wydajność silnika można poprawić instalując w gaźniku główną dyszę paliwową o mniejszej średnicy i nastawiając śrubę regulacji mieszanki. W przypadku użytkowania silnika zawsze na wysokościach ponad 1000 m n.p.m., należy przeprowadzić modyfikację gaźnika w autoryzowanym serwisie naszej firmy. W przeciwnym wypadku należy zmniejszyć obciążenie generatora.

Nawet jeśli silnik będzie wyposażony w odpowiedni gaźnik, jego moc będzie się zmniejszać o około 3.5% przy każdym zwiększeniu wysokości o 300 metrów. Wpływ wysokości na obniżenie mocy silnika będzie jeszcze większy, jeśli nie dokona się modyfikacji gaźnika.

WAZNE

Jeśli gaźnik dostosowany do dużych wysokości jest wyposażony w silnik pracujący na mniejszych wysokościach, uboga mieszanka paliwa spowoduje zmniejszenie mocy oddawanej silnika, jego przegrzanie i poważne uszkodzenie.

KONTROLA PRZED URUCHOMIENIEM

1. OLEJ SILNIKOWY

WAZNE

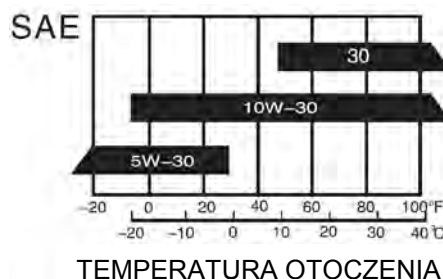
Silnik olejowy jest głównym czynnikiem wpływającym na wydajność silnika i jego żywotność. Oleje bez dodatku detergentu, przeznaczone do silników dwusuwowych spowodują uszkodzenie silnika i nie są zalecane. Przed użyciem generatora, należy sprawdzić poziom oleju przy zatrzymanym silniku.

Zalecany olej

Olej do czterosuwowych silników benzynowych

SF według klasyfikacji API

lub SAE10W-30 równoważnej klasy SG.

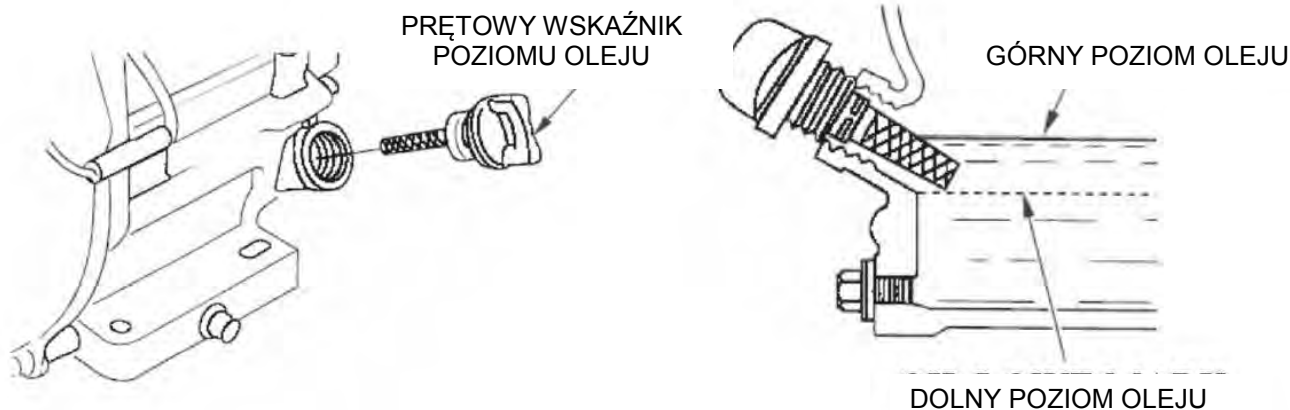


Sposób kontroli poziomu oleju:

Wyjąć korek wlewu oleju i wytrzeć do czysta prętowy wskaźnik poziomu. Sprawdzić poziom oleju wprowadzając prętowy wskaźnik do szyjki wlewu bez dokręcania.

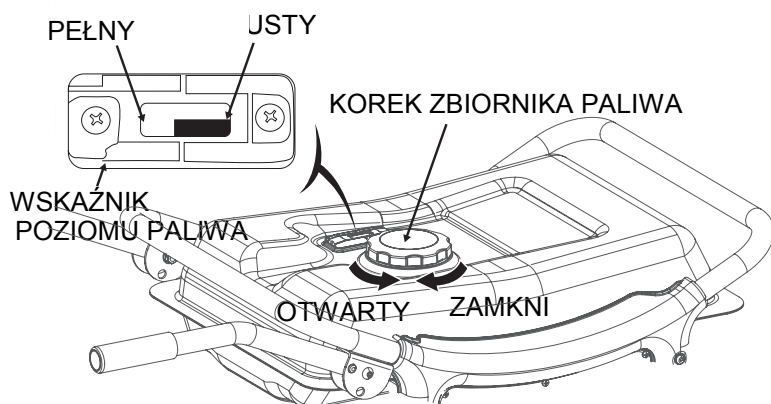
Jeśli poziom jest niski, należy dolać zalecanego oleju tak, aby sięgnął wyższego znacznika na pręcie.

Po uzupełnieniu oleju, należy pamiętać o ponownym włożeniu i dokręceniu pręta wskaźnikowego.

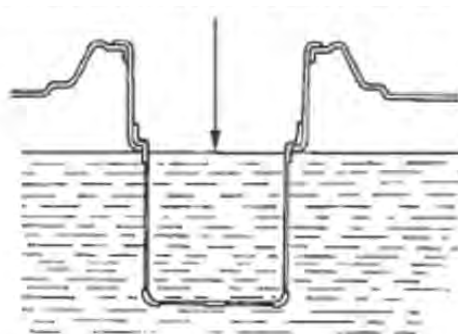


2. PALIWO

1. Sprawdzić wskaźnik poziomu paliwa.
2. Napełnić zbiornik, jeśli poziom paliwa jest niski. Nie należy napełniać zbiornika powyżej występu filtra siatkowego paliwa.
3. Po uzupełnieniu poziomu, należy włożyć i dokręcić korek wlewu paliwa.



MAKSYMALNY POZIOM PALIWA



FILTR PALIWA



• Dolewać paliwa w miejscu o dobrej wentylacji przy wyłączonym silniku. Nie palić ani nie dopuszczać do powstawania iskier lub płomienia w miejscu, gdzie uzupełnia się paliwo lub gdzie przechowuje się benzynę.

- Nie doprowadzać do przelania się paliwa.
- Unikać powtarzającego się lub przedłużającego się kontaktu paliwa ze skórą lub wdychania oparów.
- Przechowywać poza zasięgiem dzieci.
- Nie stosować mieszanek benzyny i oleju ani zanieczyszczonej benzyny.

Stosować benzynę o liczbie oktanowej ≥ 90 .

Zalecamy stosowanie benzyny bezołowiowej, ponieważ powoduje ona powstawanie mniejszej ilości osadów na silniku i świecy zapłonowej i wydłuża żywotność układu wydechowego.

Nie używać przeterminowanej lub zanieczyszczonej benzyny ani mieszanek benzyny i oleju. Uważać, aby do zbiornika paliwa nie dostały się zanieczyszczenia lub woda.

URUCHAMIANIE SILNIKA

1. ROZRUSZNIK MECHANICZNY

1. Odłączyć wszystkie odbiorniki podłączone do generatora.
2. Ustawić zawór paliwa w położenie „ON”.
3. Ustawić wyłącznik obwodu AC w położeniu „OFF”.
4. Ustawić dźwignię ssania w położeniu „ZAMKNIĘTE”.

WAZNE

Nie ustawiać dźwigni w położeniu “zamknięte”, jeśli włącza się rozgrzany silnik

5. Ustawić wyłącznik generatora w położeniu „ON”.
6. Pociągnąć lekko uchwyt rozrusznika do wyczucia oporu, a następnie pociągnąć energicznie.
7. Ustawić dźwignię ssania w położeniu „OTWARTE”, gdy silnik się rozgrzeje.
8. Nie używać sprzętu elektrycznego przed ustawieniem wyłącznika obwodu w położeniu „ON”.

WAZNE

Nie ustawiać dźwigni w położeniu “zamknięte”, jeśli włącza się rozgrzany silnik.

4. Ustawić wyłącznik generatora w położenie rozruchu elektrycznego.
5. Po uruchomieniu silnika, należy natychmiast zwolnić wyłącznik generatora, który może automatycznie powrócić w położenie otwarte.
6. Ustawić dźwignię ssania w położeniu „OTWARTE”, gdy silnik się rozgrzeje.

WAZNE

Ustawienie wyłącznika generatora w położeniu rozruchu elektrycznego na dłużej niż 5 sekund może uszkodzić silnik rozruchowy. Jeśli nie uda się uruchomić generatora, należy zwolnić przełącznik i odczekać 10 sekund przed powtórzeniem operacji.

Jeśli prędkość silnika rozruchowego szybko spada po upływie pewnego czasu, oznacza to, że akumulator powinien zostać naładowany.

ZATRZYMYWANIE SILNIKA

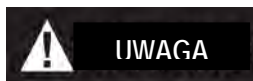
1. Ustawić wyłącznik obwodu AC w położeniu OFF.
2. Ustawić wyłącznik generatora w położeniu OFF.
3. Obrócić zawór paliwa w położenie OFF.

WAZNE

Aby zatrzymać silnik w sytuacji awaryjnej, należy ustawić wyłącznik generatora w położeniu OFF.

KONSERWACJA

Dobra konserwacja ma zasadnicze znaczenia dla bezpiecznej, wydajnej i wolnej od usterek pracy urządzenia. Powoli ona również zredukować stopień zanieczyszczenia powietrza.

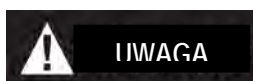


Spaliny zawierają trujący tlenek węgla. Wyłączyć silnik przed rozpoczęciem prac konserwacyjnych. Jeśli silnik musi pozostać włączony, należy zapewnić dobrą wentylację miejsca pracy.

Okresowa konserwacja i regulacja jest niezbędna do utrzymania dobrych warunków roboczych generatora. Należy ją przeprowadzać w okresach podanych w poniższej tabeli konserwacji:

OKRES NORMALNEJ PRACY		Po każdym użyciu	Pierwszego miesiąca lub po 20 godz.(3)	Co 3 miesiące lub 50 godz. (3)	Co 6 miesiące lub 100 godz. (3)	Co roku lub 100 godz. (3)
Olej silnikowy	Sprawdzić poziom	○				
	Wymienić		○		○	
Filtr powietrza	Sprawdzić	○				
	Wyczyścić			○ (1)		
Odstojnik	Wyczyścić				○	
Świeca zapłonowa	Wyczyścić				○	wymienić
Luz zaworowy	Sprawdzić- Wyregulować					○ (2)
Powłoka cylindra	Wyczyścić	Co 300 godzin (2)				
Zbiornik paliwa i filtr	Wyczyścić	Co 2 lata (2)				
Przewody paliwowe	Wymienić	Co 2 lata (2)				
WX1200–WX3250 Głowica cylindra i głowica tłoka	Wyczyścić z osadu węglowego	Co 125 godzin (2)				
WX5500–WX7000 Głowica cylindra i głowica tłoka	Wyczyścić z osadu węglowego	Co 250 godzin (2)				

1. Tę czynność należy wykonywać częściej, jeśli generator pracuje w zapyłonym środowisku.
2. Te czynności powinny być wykonane przez autoryzowany serwis.
3. Przy intensywniejszym użyciu, jedynie przeprowadzana zgodnie z powyższą częstotliwością konserwacja może zapewnić długą żywotność generatora.



Nieprawidłowa konserwacja lub nieusuwanie problemów przed użyciem generatora, może prowadzić do usterek powodujących poważne obrażenia lub śmierć operatora.

Należy przestrzegać zawartych w niniejszej instrukcji zaleceń dotyczących przeglądów i konserwacji oraz ich harmonogramu.

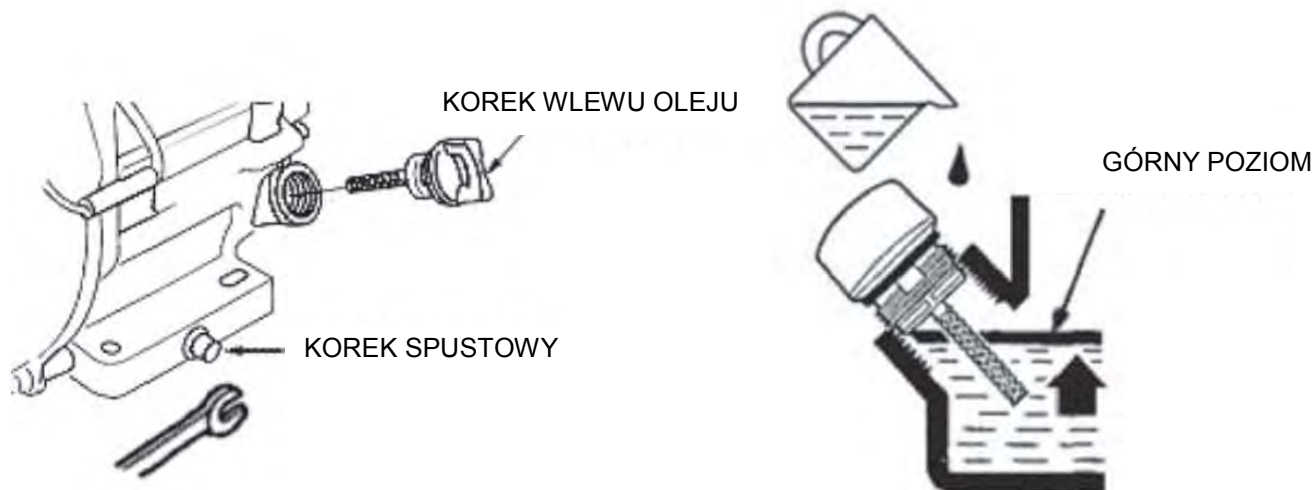
1. WYMIANA OLEJU SILNIKOWEGO

Olej silnikowy należy spuszczać, kiedy silnik jest ciepły. Zapewni to szybkie i dokładne opróżnienie miski olejowej.

1. Wyjąć korek wlewu oleju i korek spustowy, aby zlać zużyty olej.
2. Ponownie założyć korek spustowy i dobrze go dokręcić.
3. Wlać olej i sprawdzić jego poziom.

Pojemność miski olejowej: WX1200-WX2200-WX3200-WX3250: 0.6 L;

WX5000-WX5500-WX6200- WX6250-WX7000: 1 L



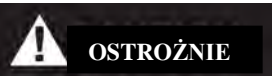
OSTROŻNIE

Odnieść się do karty bezpieczeństwa oleju.

Zużyty olej należy usunąć zgodnie z lokalnymi przepisami

2. OBSŁUGA FILTRA POWIETRZA

Zanieczyszczony filtr powietrza ogranicza dopływ powietrza do gaźnika. Aby zapobiec awariom gaźnika, należy regularnie serwisować filtr powietrza. Konserwację filtra należy



OSTROŻNIE

przeprowadzać częściej, jeśli generator pracuje w bardzo zapyłonym środowisku.

WAZNE

Użycie benzyny lub palnych rozpuszczalników do czyszczenia wkładu filtra może spowodować pożar lub wybuch. Należy stosować wyłącznie wodę z mydłem lub niepalne rozpuszczalniki.

Używanie generatora bez filtra powietrza jest zabronione. Powoduje to szybkie zużycie silnika.

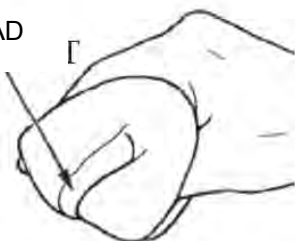
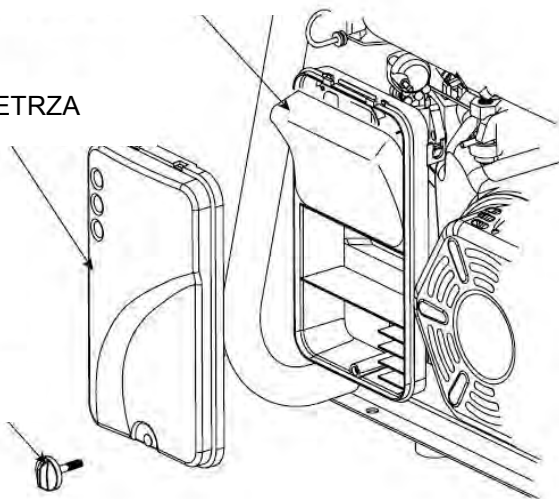
1. Otworzyć zacisk filtra powietrza i zdjąć pokrywę. Sprawdzić czy wkład filtra jest czysty i nieuszkodzony.

WKŁAD FILTR POWIETRZA

POKRYWA FILTRA POWIETRZA

ZACISK

WKŁAD

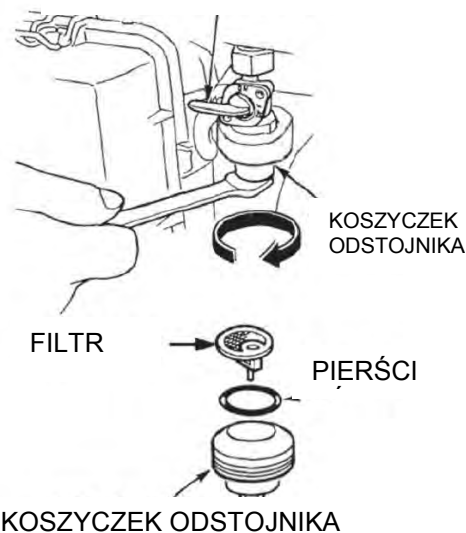


- Umieścić wkład na swoim miejscu i założyć pokrywę.

3. CZYSZCZENIE ODSTOJNIKA

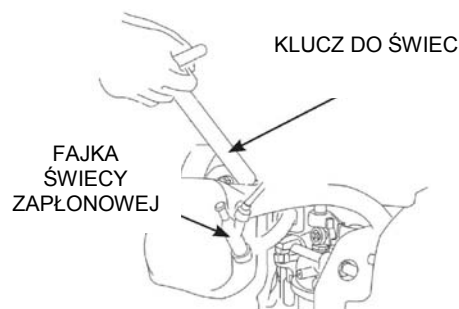
- Obrócić zawór paliwa w położenie OFF. Wyjąć koszyczek odstojnika, pierścień o-ring i filtr siatkowy zgodnie z kierunkiem strzałki.
- Wyczyścić koszyczek odstojnika, pierścień o-ring i filtr w niepalnym rozpuszczalniku lub rozpuszczalniku o wysokiej temperaturze zapłonu.
- Ponownie założyć pierścień o-ring, filtr i dokręcić koszyczek odstojnika.
- Ustawić zawór paliwa w położeniu ON i sprawdzić, czy nie ma wycieków.

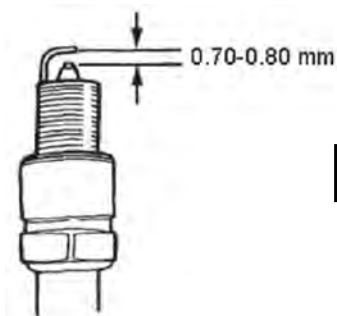
ZAWÓR PALIWA



4. OBSŁUGA ŚWIECY ZAPŁONOWEJ

- Zalecane świece zapłonowe: F7RTC lub inne równoważne
- Zdjąć fajkę świcy zapłonowej.
- Za pomocą klucza do świc wykręcić świecę zapłonową.
- Wizualnie sprawdzić stan świcy zapłonowej. Jeśli izolator jest pęknięty, wymienić świecę na nową.
- Przy pomocy szczelinomierza sprawdzić odległość pomiędzy elektrodami świcy. Jeśli wymagana jest regulacja szczeliny, ostrożnie przygiąć lub odgiąć boczną elektrodę. Prawidłowa odległość powinna wynosić: 0.70-0.80 mm.
- Sprawdzić stan podkładki świcy zapłonowej.
- Ponownie założyć świecę, dokręć ją za pomocą klucza do świc w celu dociśnięcia podkładki. Dokładnie zainstalować świecę zapłonową.





WAZNE

Używać zawsze świec zapłonowych o właściwej pojemności cieplnej.

MAGAZYNOWANIE

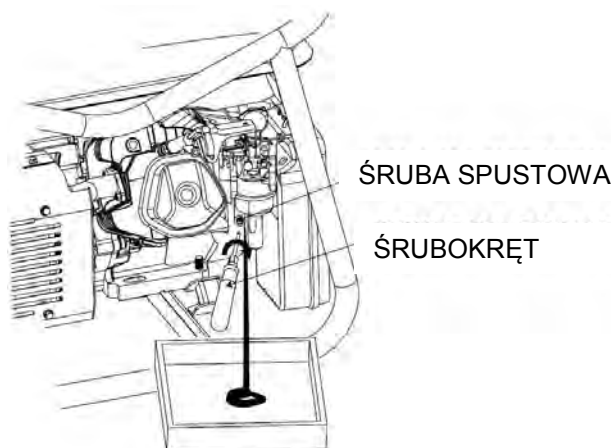


UWAGA

Aby uniknąć kontaktu z gorącym silnikiem lub układem wydechowym, co może spowodować oparzenia, należy odczekać aż silnik ostygnie przed zmagazynowaniem generatora.

Jeśli generator będzie składowany przez dłuższy okres czasu, należy się upewnić, że miejsce, w którym jest on magazynowany jest wolne od kurzu i nadmiernej wilgoci.

1. Zlać benzynę do odpowiedniego pojemnika, wyczyścić filtr, pierścień o-ring i odstojnik i ponownie je zamontować. Zlać benzynę z gaźnika wykręcając śrubę spustową, następnie należy ponownie ją założyć i dokręcić.



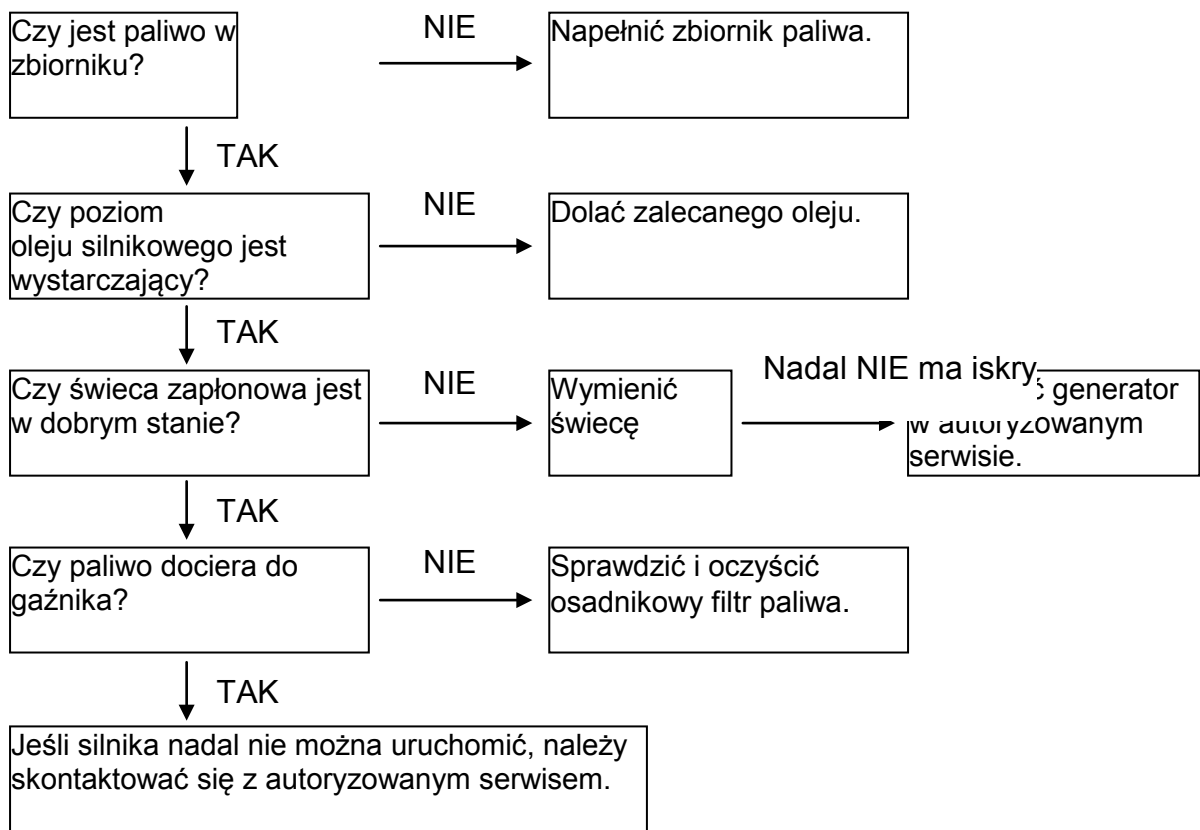
UWAGA

Benzyzna jest łatwopalna, a w pewnych warunkach wybuchowa. Zlewać paliwo w miejscu o dobrej wentylacji i przy wyłączonym silniku. Nie palić ani nie dopuszczać do powstawania iskier lub płomieni w miejscu, gdzie przeprowadza się tę czynność.

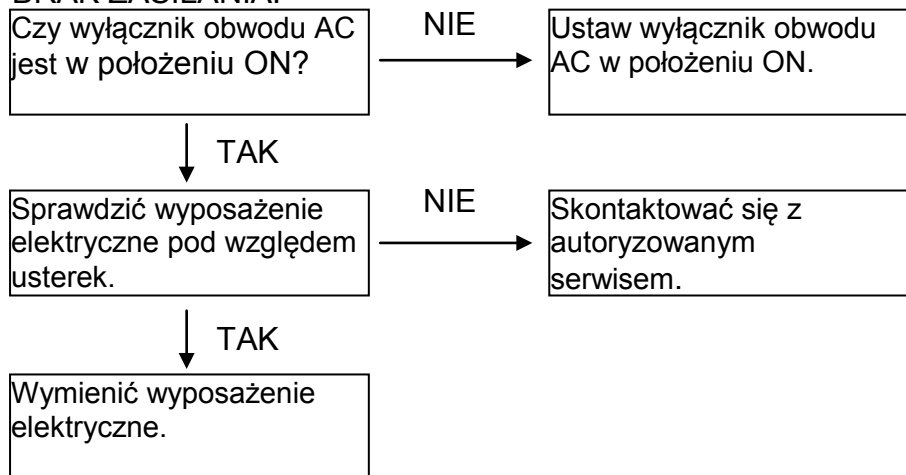
2. Odkręcić prętowy wskaźnik oleju oraz śrubę spustową skrzyni korbowej, aby całkowicie spuścić olej. Następnie dokręcić śrubę spustową oraz wlać świeży olej aż do znacznika maksymalnego poziomu, a na końcu dobrze dokręcić prętowy wskaźnik oleju.
3. Wykręcić świecę zapłonową i wlać do cylindra łyżeczkę czystego oleju silnikowego. Przekręcić kilkakrotnie wałem korbowym silnika w celu rozprowadzenia oleju, następnie wkręcić świecę zapłonową.
4. Pociągnąć lekko uchwyt rozrusznika do wyczucia oporu. Ustawić zawór ssący i wydechowy w położeniu zamkniętym.
5. Umieścić generator w czystym miejscu.

USUWANIE USTEREK

SILNIKA NIE MOŻNA URUCHOMIĆ:

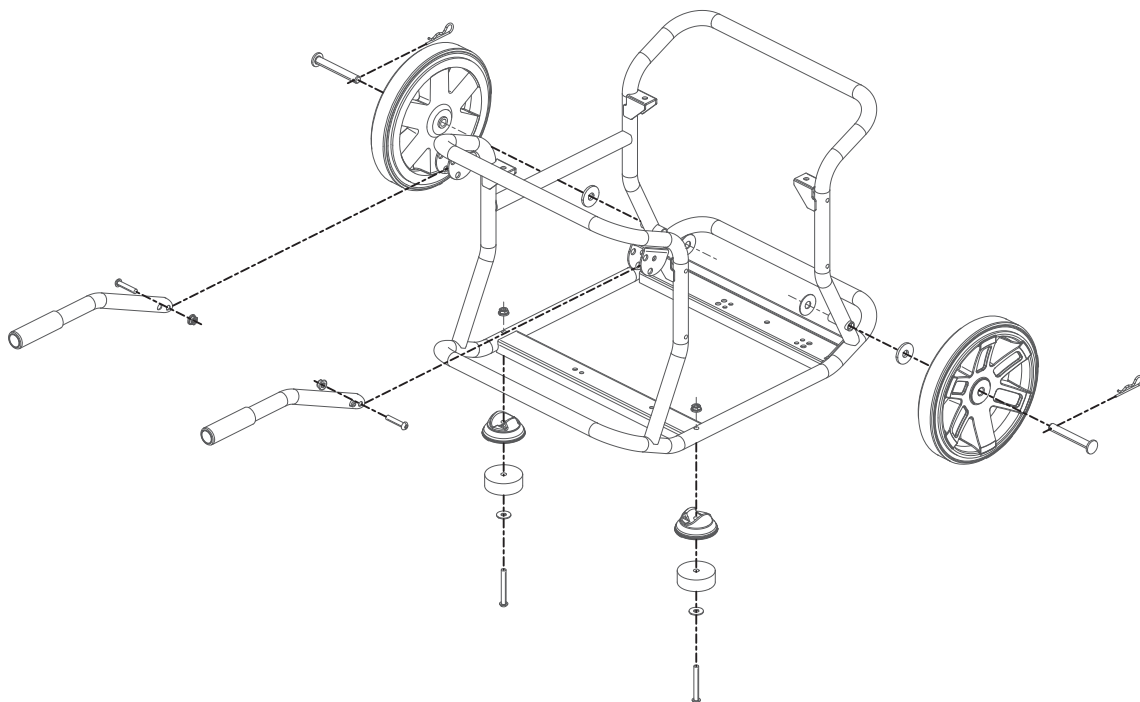
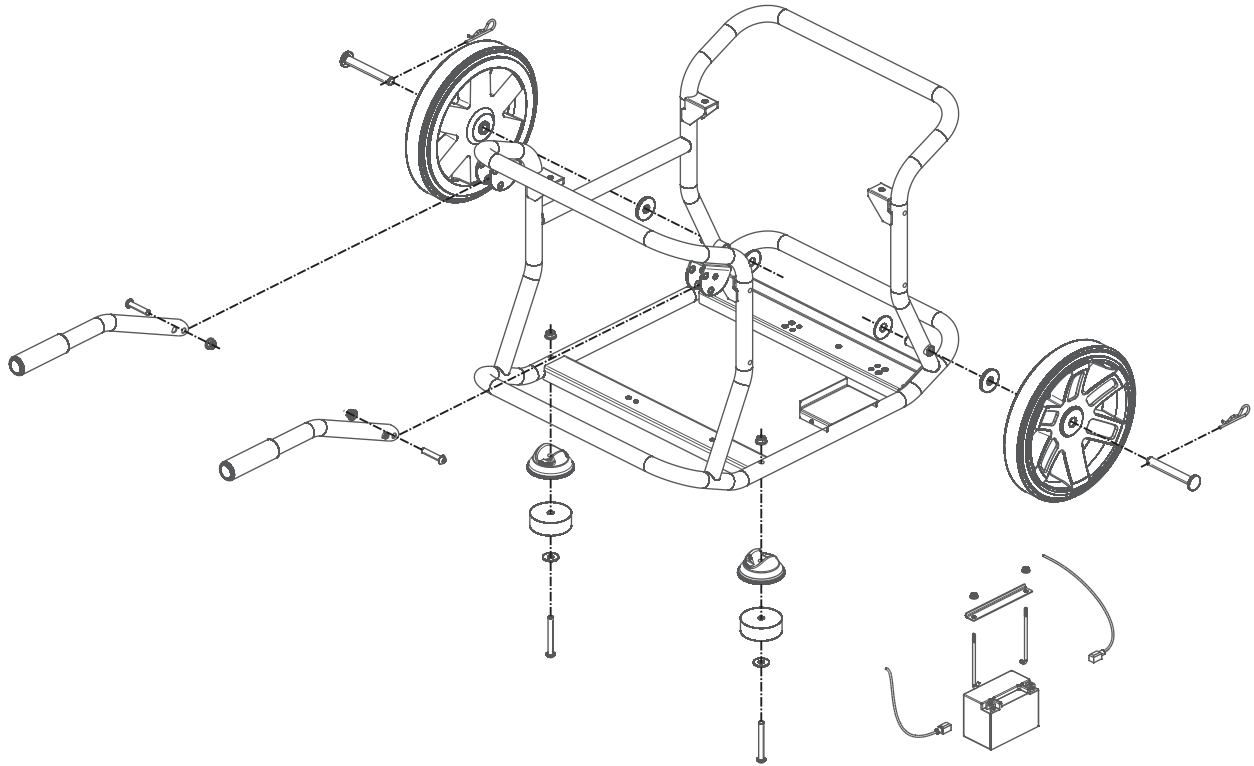


BRAK ZASILANIA:



ZESTAW KÓŁ

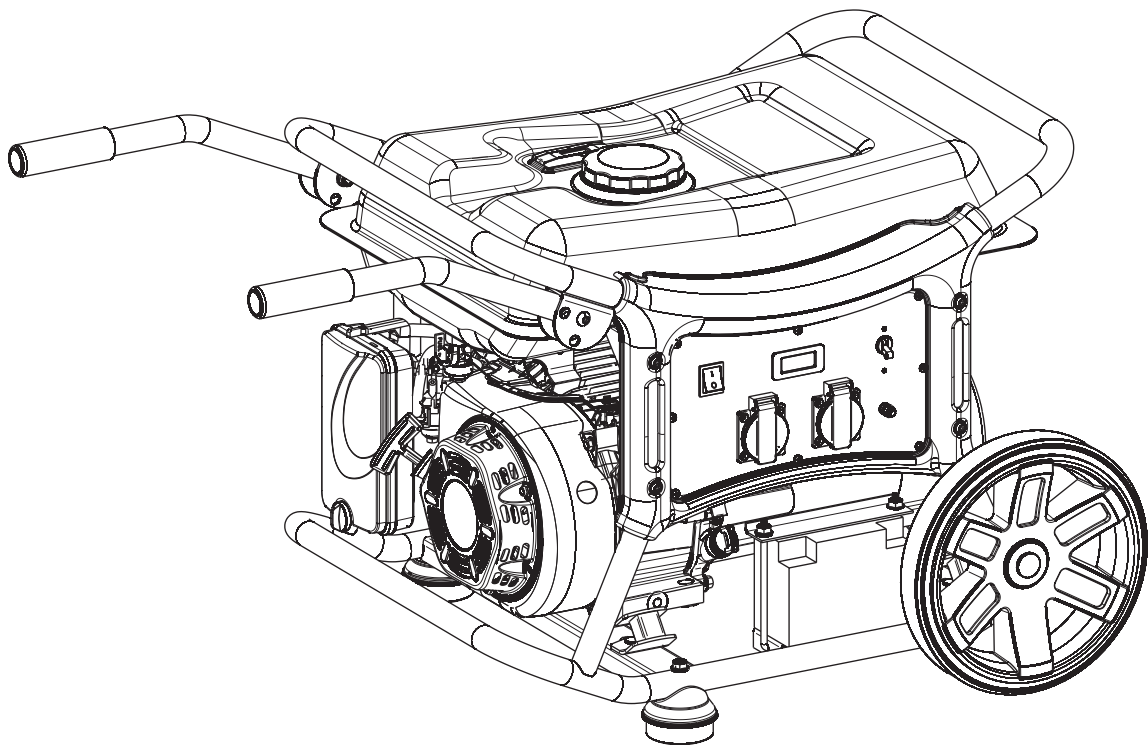
1. Zamontować dwa koła na osi wraz z uszczelkami i sworzniami.
2. Zainstalować koło na dolnej płycie ramy generatora przy użyciu śrub i nakrętek.
3. Przymocować uchwyt do ramy.





Manual do Utilizador

WX



Agradecemos a escolha de um Grupo Eletrogéneo fabricado por nós.

Este manual contém informação relativa ao funcionamento do produto que adquiriu: por favor, leia-o atentamente antes de utilizar o grupo eletrogéneo. O manuseamento correto e em condições de segurança permite obter o melhor resultado tecnicamente possível deste aparelho.

Todas as informações incluídas neste manual foram baseadas nos últimos dados disponíveis no momento da sua impressão. A informação contida neste manual pode diferir do seu equipamento específico devido a possíveis revisões e/ou modificações, realizadas depois da impressão.

A nossa empresa reserva-se o direito de realizar modificações em qualquer altura sem aviso prévio, sem que daí derive qualquer obrigação, compromisso ou responsabilidade. É terminantemente proibido reproduzir parcial ou totalmente este documento sem a devida autorização por escrito da empresa.

Este manual é considerado parte integrante do grupo eletrogéneo, pelo que deve ser entregue juntamente com o mesmo em caso de cedência e/ou venda a um novo utilizador.

AVISOS DE SEGURANÇA

Lembre-se que tanto a sua segurança como a dos demais são inestimáveis. Por esse motivo incluímos avisos de segurança importantes neste manual e aplicamos etiquetas com avisos de segurança específicos no grupo eletrogéneo. Por favor, leia todos estes avisos atentamente.

Os avisos de segurança fornecem informação específica que alertam para potenciais perigos que podem causar ferimentos e /ou danos ao utilizador ou a terceiros. Cada um dos avisos está identificado com um SIMbolo característico que o precede e com uma das seguintes palavras: PERIGO, AVISO ou CUIDADO, devendo ser interpretados conforme indicamos abaixo.



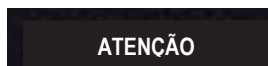
Perigo de MORTE ou de LESÕES GRAVES em caso de desrespeito das instruções fornecidas.



Possibilidade de MORTE ou de LESÕES em caso de desrespeito das instruções fornecidas.



Possibilidade de LESÕES GRAVES em caso de desrespeito das instruções fornecidas.



Possibilidade de danos no grupo eletrogéneo e/ou outros danos materiais em caso de desrespeito das instruções fornecidas.

PR INDUSTRIAL s.r.l.
Loc. II Piano
53031 - Casole D'Elsa (SI)
ITALIA

ÍNDICE

CONSIDERAÇÕES GERAIS E PARTICULARES DE SEGURANÇA	114
IDENTIFICAÇÃO DOS COMPONENTES DO GRUPO ELETROGÊNICO	115
FUNCIONAMENTO DOS COMPONENTES PRINCIPAIS	117
FUNCIONAMENTO DO GERADOR	118
VERIFICAÇÕES PRELIMINARES	119
COLOCAÇÃO DO MOTOR EM FUNCIONAMENTO	121
PARAGEM DO MOTOR.	121
MANUTENÇÃO.	122
ARMAZENAMENTO.	127
ANÁLISE E SOLUÇÃO DE PROBLEMAS DE FUNCIONAMENTO	128
KIT DE RODAS PARA TRANSPORTE.....	129
DECLARAÇÃO DE CONFORMIDADE	130
PLACA DE IDENTIFICAÇÃO DO GRUPO ELETROGÊNICO	130

CONSIDERAÇÕES GERAIS E PARTICULARES DE SEGURANÇA

1. NORMAS DE SEGURANÇA

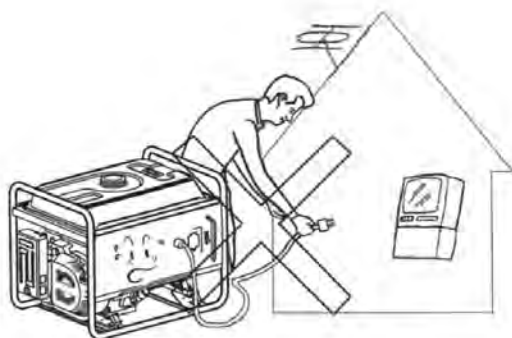
Leia este Manual do Utilizador e assegure-se que compreendeu o seu conteúdo antes de utilizar o grupo eletrogéneo. Familiarizar-se com os botões e dispositivos do aparelho e respeitar os procedimentos descritos permite prevenir acidentes.



Não utilize o aparelho em locais fechados.



Não utilize o aparelho em condições de humidade extrema.



Não ligue o aparelho diretamente à rede elétrica doméstica.



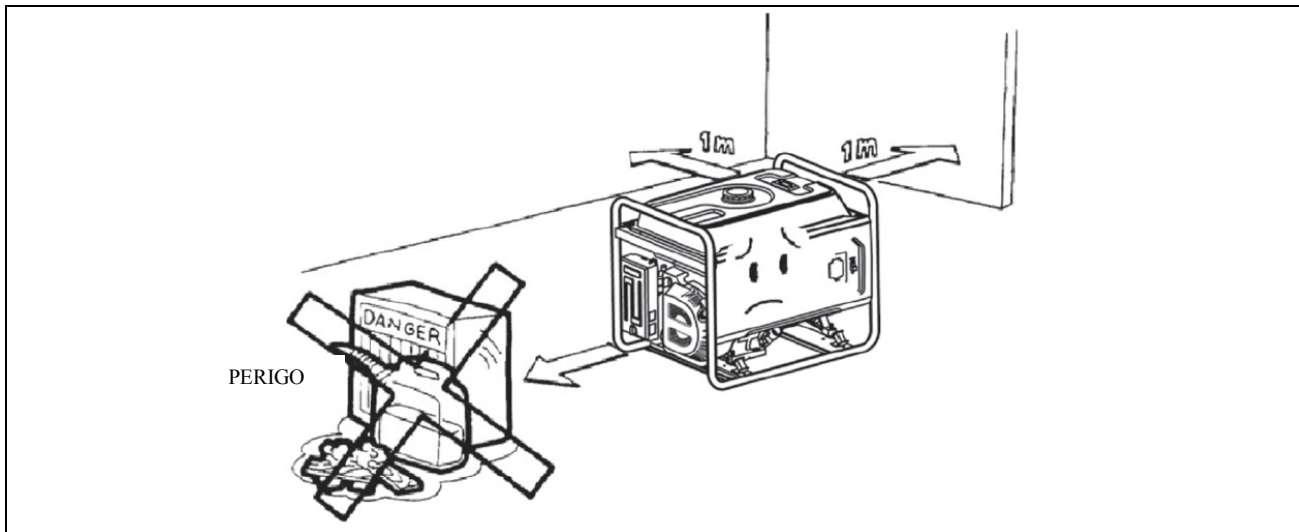
Não fume enquanto abastece o depósito de combustível.



Não exceda o nível máximo de combustível durante o abastecimento do depósito.



Desligue o motor antes de abastecer de combustível o depósito.

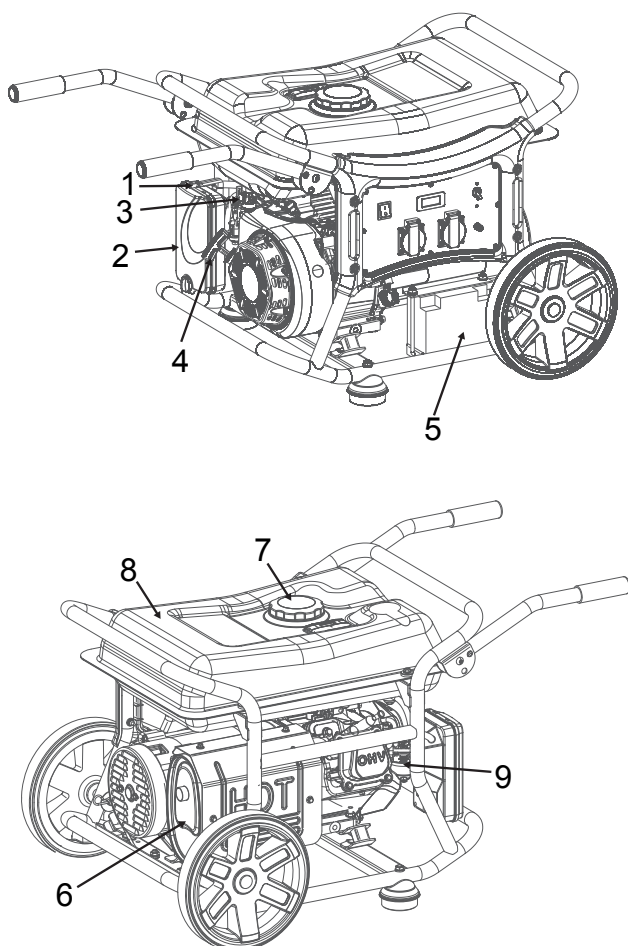


Mantenha o aparelho a pelo menos 1 metro de distância de todo o material inflamável.

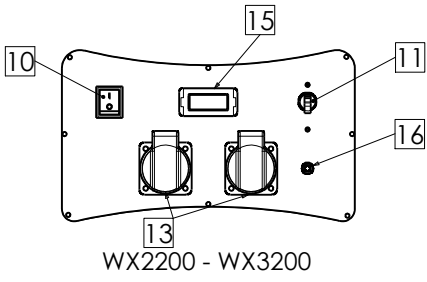
2. REQUISITOS ESPECÍFICOS

- Qualquer equipamento elétrico, cabo elétrico e ligações devem cumprir as normas de proteção específica.
- Os interruptores de linha devem ser compatíveis com as especificações do gerador. Em caso de substituição, devem instalar-se interruptores de linha de características idênticas (resposta, capacidade, etc.).

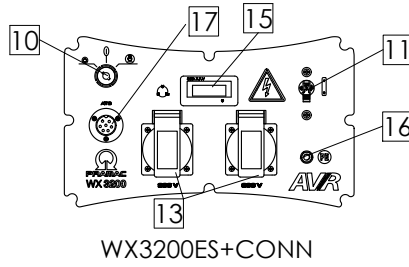
IDENTIFICAÇÃO DOS COMPONENTES DO GRUPO ELETROGÊNICO



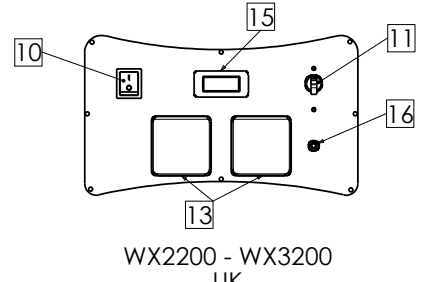
1	ALAVANCA DA VÁLVULA DE VERIFICAÇÃO DA RELAÇÃO DE MISTURA (STARTER)
2	FILTRO DE AR
3	VÁLVULA DE COMBUSTÍVEL
4	PUNHO ARRANCADOR AUTO RETRÁTIL
5	BATERIA (ES)
6	SILENCIADOR
7	TAMPA DEPÓSITO COMBUSTÍVEL
8	DEPÓSITO DE COMBUSTÍVEL
9	CARBURADOR
10	INTERRUPTOR DO GERADOR
11	INTERRUPTOR DE LINHA
12	LIGAÇÃO DO INTERRUPTOR DE LINHA
13	TOMADA
14	TOMADA CEE
15	TEMPORIZADOR - VOLTÍMETRO - FREQUENCÍMETRO
16	TERMINAL DE TERRA
17	CONECTOR ATS (CONN)



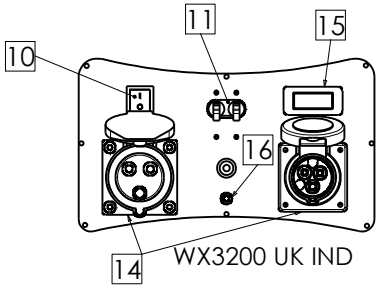
WX2200 - WX3200



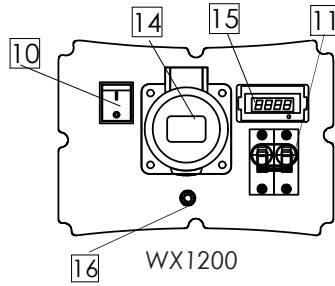
WX3200ES+CONN



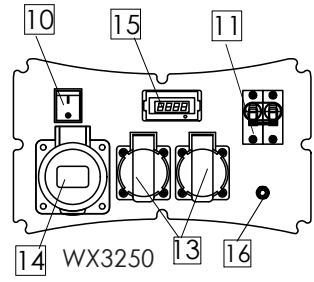
WX2200 - WX3200
UK



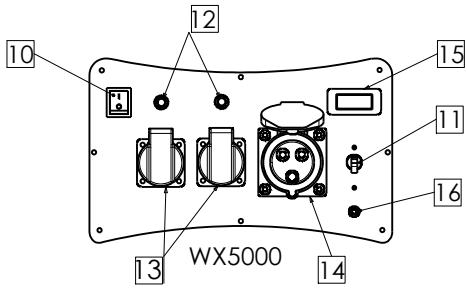
WX3200 UK IND



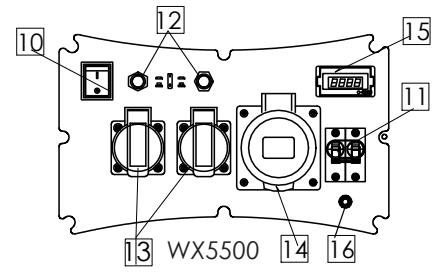
WX1200



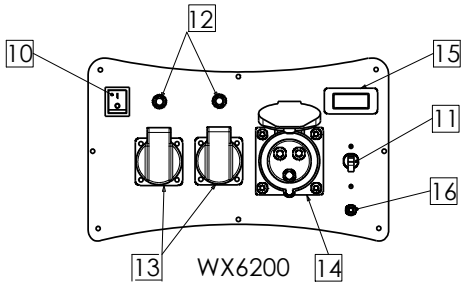
WX3250



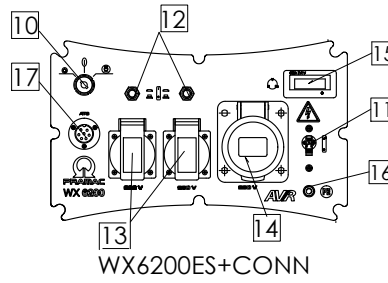
WX5000



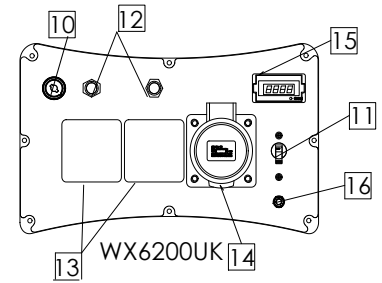
WX5500



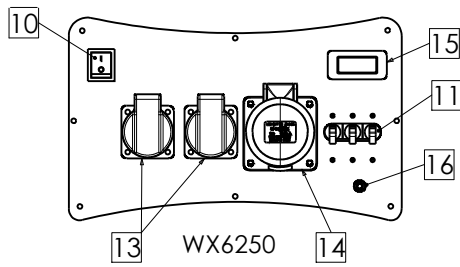
WX6200



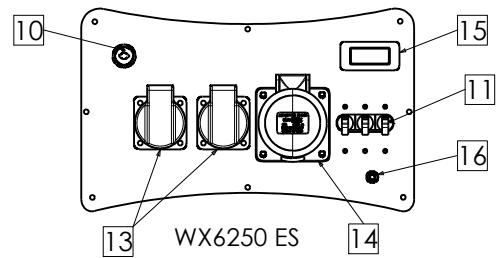
WX6200ES+CONN



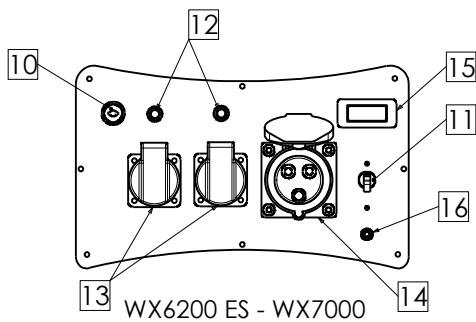
WX6200UK



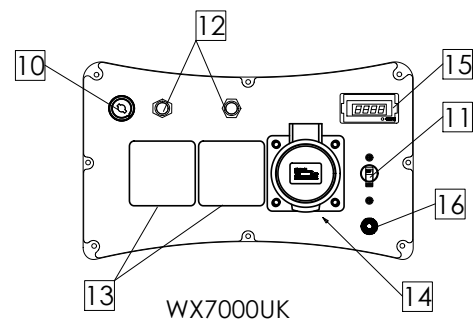
WX6250



WX6250 ES



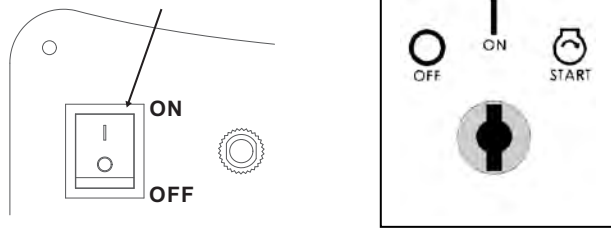
WX6200 ES - WX7000



WX7000UK

1. INTERRUPTOR DO GERADOR

INTERRUPTOR DO GERADOR

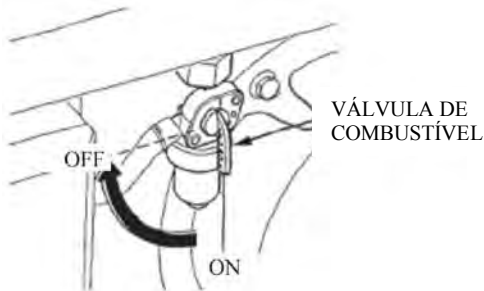
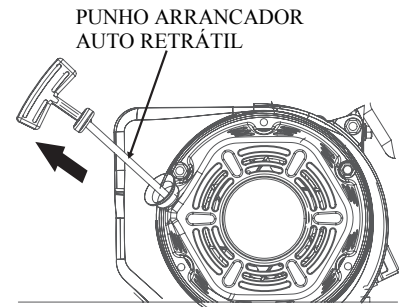


2. ARRANCADOR AUTO RETRÁTIL

Para iniciar o motor puxe ligeiramente o punho arrancador auto retrátil até sentir alguma resistência; de seguida puxe o punho com firmeza.

ATENÇÃO

Não deixe que o dispositivo do arrancador retroceda bruscamente e bata no motor: acompanhe-o suavemente durante o retrocesso para evitar danos no arrancador.

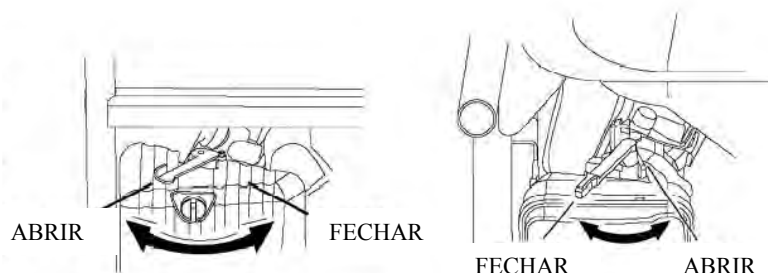


3. VÁLVULA DE COMBUSTÍVEL

A válvula de combustível verifica o fluxo de carburante desde o depósito de combustível até ao carburador. Coloque a alavanca na posição "OFF" depois de desligar o motor.

4. ALAVANCA DA VÁLVULA DE VERIFICAÇÃO DA RELAÇÃO DE MISTURA (STARTER)

Com esta alavanca pode regular a válvula de verificação da relação ar/combustível da mistura (starter) para proporcionar uma mistura mais rica durante o arranque do motor a frio. Uma vez aquecido o motor, rode lentamente a alavanca no sentido "ABRIR".



5. INTERRUPTOR DE LINHA / PROTEÇÃO CONTRA SOBRECARGAS (CORRENTE ALTERNADA)

Em caso de corrente excessiva o interruptor de linha liga-se automaticamente para evitar uma sobrecarga ou um curto-circuito. Se o indicador do dispositivo de proteção de sobrecargas estiver na posição superior, significa que se encontra na posição "OFF". Depois de alguns minutos pressione o botão do dispositivo de proteção de sobrecargas para o colocar na posição "ON". Caso o interruptor de linha se abra automaticamente, feche-o novamente.

6. SISTEMA DE PROTECÇÃO EM CASO DE FALTA DE ÓLEO

Este sistema foi especialmente desenhado para impedir que o motor se avarie no caso de falta de óleo no cárter. Quando o nível de óleo é inferior a um determinado limite de segurança, este sistema desliga automaticamente o motor para evitar que sofra danos. (Apesar do sistema desligar o motor, o interruptor do gerador permanecerá na posição “ON”).

FUNCIONAMENTO DO GERADOR

O ambiente em que o gerador deve ser posto em funcionamento deve cumprir as condições abaixo indicadas.

Temperatura: $-15^{\circ}\text{C} \div 40^{\circ}\text{C}$.

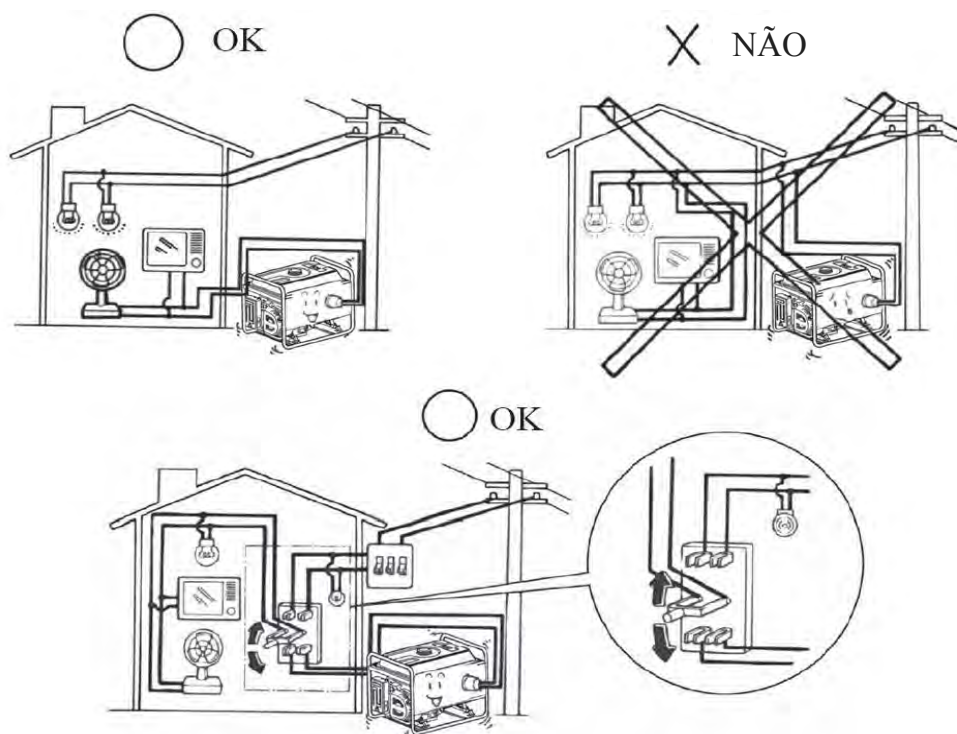
Humidade máxima: 95%.

Altitude máxima: 1000 metros. (A uma altitude superior a 1000 metros a potência entregue do gerador é menor).

1. MODO DE LIGAÇÃO À REDE ELÉCTRICA DOMÉSTICA

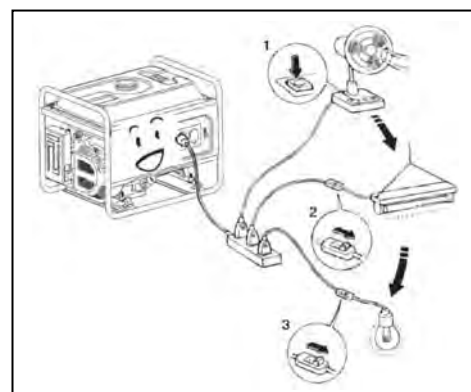
ATENÇÃO

O gerador deverá apenas ser ligado à rede eléctrica doméstica por um electricista certificado. Depois de realizada a ligação deve assegurar-se a sua fiabilidade e segurança por forma a evitar possíveis danos irreversíveis no gerador e/ou incêndios.



2. CORRENTE ALTERNADA

Antes de colocar o gerador em funcionamento certifique-se de que a soma total da potência consumida pela carga (RLC) ligada a este não é superior à potência nominal do gerador.



ATENÇÃO

O funcionamento em condições de sobrecarga reduz significativamente a vida útil do seu gerador.

Se houver necessidade de ligar ao gerador cargas (aparelhos elétricos) de potência diferente, ligue em primeiro lugar a que consome mais, prosseguindo deste modo até ligar a de menor consumo (na figura, 1 - 2 - 3).

As cargas indutivas e capacitivas – em particular os aparelhos acionados a motor – requerem geralmente uma corrente de alta intensidade durante o arranque.

3. FUNCIONAMENTO A ALTITUDES CONSIDERÁVEIS

Quanto maior for a altitude, mais rica será a relação de mistura ar/combustível que chega ao carburador do motor, podendo, inclusivamente, ser extremamente rica em altitudes consideráveis. Nestas condições, a potência entregue pelo motor será menor e o consumo de combustível superior. Pode melhorar o rendimento do motor instalando um tubo injetor de combustível de menor diâmetro no seu carburador e ajustando convenientemente o parafuso de regulação correspondente (piloto). Caso necessite colocar o aparelho em funcionamento a uma altitude superior a 1000 metros, entre em contacto com o nosso revendedor autorizado para solicitar esta modificação. Caso contrário, ver-se-á obrigado a ligar ao gerador uma carga menor.

Se o seu motor tem um carburador *ad hoc*, a potência entregue pelo mesmo [HP] será reduzida em cerca de 3,5% por cada 300 metros de subida em altitude. Se não solicitar a modificação específica do carburador do seu grupo eletrogéneo, a potência entregue pelo motor [HP] reduzir-se-á numa percentagem ainda maior com o aumento da altitude.

ATENÇÃO

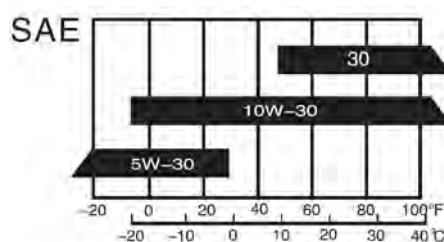
Caso se instale um carburador específico para grandes altitudes num motor concebido para funcionar a uma altitude inferior, a fraca mistura de ar/combustível levará a uma redução da potência entregue pelo motor, ao seu sobreaquecimento e/ou a danos consideráveis no mesmo.

VERIFICAÇÕES PRELIMINARES

1. ÓLEO DO MOTOR

ATENÇÃO

O óleo do motor é um fator determinante para a resposta, rendimento e vida útil do seu grupo eletrogéneo.



TEMPERATURA AMBIENTE

Evite usar óleos que careçam de propriedades detergentes e óleos destinados a motores de explosão de 2 tempos: óleos destas categorias causariam danos no motor do seu grupo eletrogéneo. Sempre que colocar em funcionamento o seu grupo eletrogéneo, verifique primeiro o nível de óleo – o grupo eletrogéneo deve estar na posição horizontal e com o motor desligado.

Óleo recomendado:

Óleo para motores de explosão de 4 tempos que funcionam a gasolina (nafta).

Classificação de Serviço API SF

ou SAE10W-30 de Classe SG equivalente.

Como verificar o nível de óleo:

Remova a tampa do bucal de enchimento do cárter e limpe a vareta de verificação de nível de óleo. Introduza completamente a vareta no bucal de enchimento sem enroscar a tampa e volte a verificar a marca de nível na vareta.

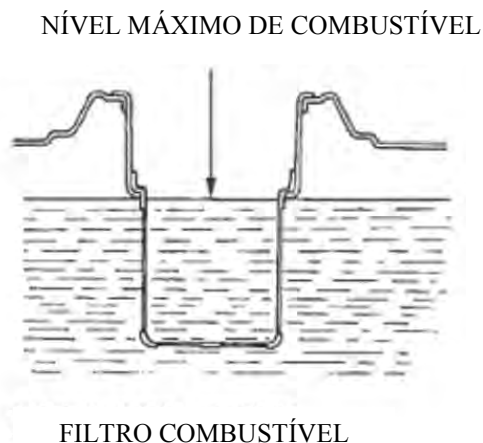
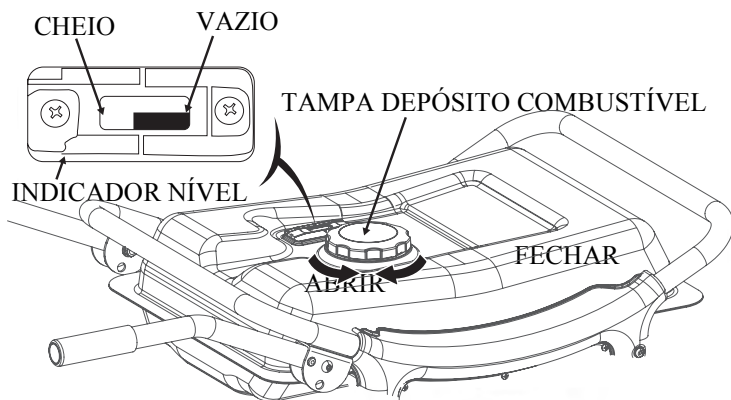
Caso o nível do óleo esteja baixo, acrescente o óleo recomendado até que o nível coincida com a marca superior da vareta de verificação.

Coloque corretamente a tampa e enrosque-a completamente depois de realizar a verificação/enchimento do cárter.



2. COMBUSTÍVEL

1. Verifique no indicador de nível a quantidade de combustível disponível no depósito.
2. Caso o medidor indique um nível baixo acrescente combustível: o nível de combustível não deve ultrapassar o rebordo do filtro.
3. Coloque corretamente a tampa do depósito e enrosque-a completamente depois de acrescentar o combustível.



- Coloque o combustível no depósito do grupo eletrogêneo com o motor desligado e num local bem ventilado. Não fume no local onde mantém a gasolina (nafta) armazenada nem no local onde abastece o combustível. Tome todas as medidas necessárias para evitar a presença de chamas e/ou centelhas de qualquer origem nestes locais.
- Não encha excessivamente o depósito de combustível.
- Evite o contato repetido e/ou prolongado entre o combustível e a pele, assim como inalar os vapores emanados pelo mesmo.
- Mantenha o combustível fora do alcance de crianças.
- Não use misturas de óleo e gasolina (nafta) nem combustível que contenha impurezas.

Use gasolina (nafta) com índice de octanas ≥ 90 .

Recomendamos o uso de combustíveis sem chumbo, uma vez que produzem menos depósitos indesejáveis nas velas e nas partes internas do motor e prolongam a vida útil dos sistemas de escape.

Nunca use combustível contaminado com partículas suspensas e/ou com sedimentos. Nunca use misturas de gasolina (nafta) e óleo. Evite a entrada de sujeira e/ou água dentro do depósito de combustível.

COLOCAÇÃO DO MOTOR EM FUNCIONAMENTO

1. ARRANCADOR AUTO RETRÁTIL

1. Desligue todas as cargas que possam estar ligadas à saída do grupo eletrogéneo.
2. Coloque a válvula de combustível na posição "ON".
3. Coloque o interruptor de linha na posição "OFF".
4. Rode a alavanca da válvula de verificação da relação de mistura (strater) no sentido "FECHAR".

ATENÇÃO

Se o motor já estiver quente, não feche a válvula de verificação da relação de mistura (starter).

5. Coloque o interruptor do gerador na posição "ON".
6. Puxe suavemente o punho do arrancador auto retrátil até sentir alguma resistência, de seguida puxe o punho com firmeza.
7. Depois de aquecer do motor, rode a alavanca da válvula de verificação da relação de mistura (starter) no sentido "ABRIR".
8. Não utilize nenhum aparelho elétrico até colocar o interruptor de linha na posição "ON".

ATENÇÃO

Se o motor já estiver quente, não feche a válvula de verificação da relação de mistura (starter).

4. Coloque o interruptor do gerador na posição “*Start* elétrico”.
5. Quando o motor arrancar, solte imediatamente o interruptor do gerador para que possa voltar automaticamente à posição “ABERTO”.
6. Depois de aquecer o motor, rode a alavanca da válvula de verificação da relação de mistura (starter) no sentido “ABRIR”.

ATENÇÃO

Manter o interruptor do gerador na posição “*Start* elétrico” durante mais de 5 segundos pode causar danos no motor de arranque. Caso não consiga ligar o motor do grupo eletrogéneo, solte o interruptor e aguarde cerca de 10 segundos antes de voltar a tentar.

Caso a velocidade do motor de arranque caia rapidamente depois de algum tempo, substitua a bateria.

PARAGEM DO MOTOR

1. Coloque o interruptor de linha na posição “OFF”.
2. Coloque o interruptor do gerador na posição “OFF”.
3. Coloque a válvula de combustível na posição “OFF”.

ATENÇÃO

Para desligar o motor em caso de emergência, coloque o interruptor do gerador na posição “OFF”.

MANUTENÇÃO

A manutenção correta deste grupo eletrogéneo é essencial para garantir um funcionamento seguro, económico e sem problemas, além de contribuir para uma menor contaminação atmosférica.



AVISO

O gás de escape do motor contém alguma concentração de monóxido de carbono, um gás altamente tóxico e, inclusivamente, letal. Desligue o motor antes de realizar qualquer tipo de trabalho de manutenção. Se por motivo de força maior o motor tiver de permanecer em funcionamento, assegure-se de que o local no qual se realizarão os trabalhos de manutenção é bem ventilado.

Manter este grupo eletrogéneo em boas condições de funcionamento requiere uma manutenção periódica e a realização de verificações e ajustes com alguma frequência. Respeite os períodos de manutenção e inspeção indicados na tabela do programa de manutenção incluída abaixo.

FREQUÊNCIA DE MANUTENÇÃO REGULAR		Antes de cada utilização	1º mês ou depois de 20 h de utilização (3)	A cada 3 meses ou 50 h de utilização (3)	A cada 6 meses ou 100 h de utilização (3)	Anual ou depois de 300 h de utilização (3)
Óleo do motor	Verificar nível	○				
	Mudar		○		○	
Filtro de ar	Verificar	○				
	Limpar			○ (1)		
Depósito retenção de sedimentos	Limpar				○	
Vela	Limpar				○	Mudança
Folga das válvulas	Verificar / Ajustar					○ (2)
Tampa do cilindro	Limpar	A cada 300 h de utilização (2)				
Depósito de combustível e filtro	Limpar	A cada 2 anos (2)				
Linha de combustível	Substituir	A cada 2 anos (2)				
WX1200–WX3250: Cabeça do cilindro e cabeça (culatra) do pistão	Limpar depósitos carbonosos	A cada 125 h de utilização (2)				
WX5500–WX7000: Cabeça do cilindro e cabeça (culatra) do pistão	Limpar depósitos carbonosos	A cada 250 h de utilização (2)				

1. No caso de ambientes com alta concentração de partículas de sujidade/pó suspensos no ar é necessária uma maior frequência de manutenção.
2. A manutenção deve ser realizada por técnicos no revendedor autorizado deste grupo eletrogéneo.
3. Frequência indispensável para garantir a vida útil do grupo eletrogéneo.



AVISO

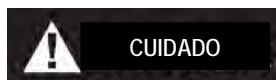
Uma manutenção deficiente e a utilização deste grupo eletrogéneo sem solucionar possíveis anomalias podem levar ao funcionamento incorreto e ao conseqüente risco de ferimentos graves, danos e/ou prejuízos de diversas naturezas, inclusivamente à morte. Respeite escrupulosamente as recomendações e o programa de inspeção e manutenção incluídos neste Manual do Utilizador.

1. MUDANÇA DO ÓLEO DO MOTOR

Drene o óleo do cárter enquanto o motor ainda está quente para acelerar o despejo e assegure-se de que este se realiza completamente.

1. Retire a tampa de drenagem e desenrosque a tampa com a vareta de verificação de nível incorporada para esvaziar o motor completamente.
2. Volte a colocar a tampa de drenagem e assegure-se que fica bem apertado.
3. Encha com óleo e verifique o seu nível.

Capacidade de óleo: WX1200 - WX2200 - WX3200 - WX3250 = 0,6 litros;
WX5000 - WX5500 - WX6200 - WX6250 - WX7000 = 1 litro



Consulte sempre a ficha de segurança do óleo.

Elimine o óleo em conformidade com as normas e leis locais aplicáveis em matéria de recolha e tratamento de resíduos.

2. MANUTENÇÃO DO FILTRO DE AR

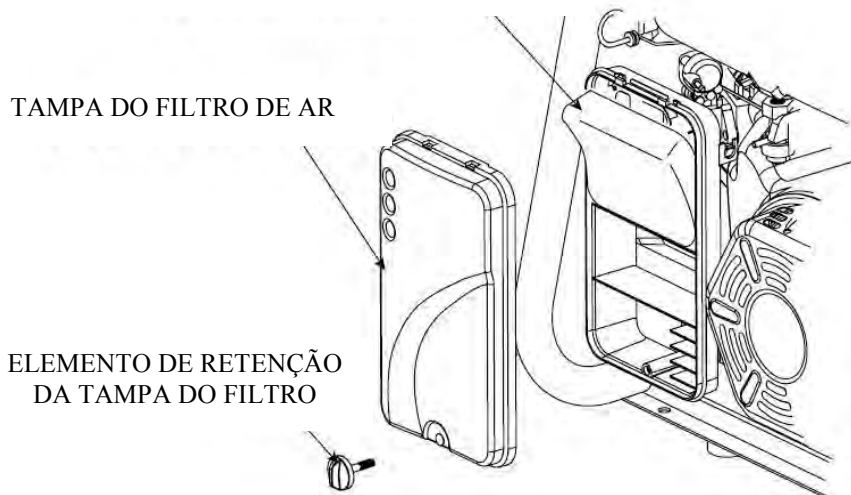
Um filtro de ar sujo reduz o fluxo de ar que passa para o carburador. Para evitar possíveis anomalias no carburador, realize regularmente a manutenção do filtro de ar. A frequência com que esta manutenção deve ser realizada será tanto maior quanto maior o funcionamento do grupo eletrogéneo em ambientes com alta concentração de partículas contaminantes e/ou pó suspensos no ar.

ATENÇÃO

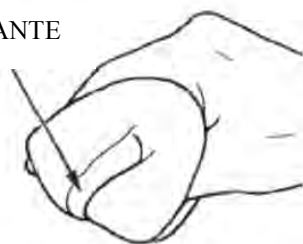
O uso de gasolina (nafta) ou de solvente inflamável para limpar o elemento filtrante pode provocar incêndios e/ou explosões. Use apenas uma solução de água e

1. Extraia o elemento de retenção da tampa do filtro de ar e retire a tampa. Inspeccione o elemento filtrante para determinar o seu estado (deve estar intacto e limpo).
2. Se o filtro estiver sujo lave o elemento filtrante com uma solução de água quente e detergente vulgar de uso doméstico e enxague em água abundante. Pode lavar o elemento filtrante com um solvente não inflamável de baixo ponto de ignição.

ELEMENTO FILTRANTE



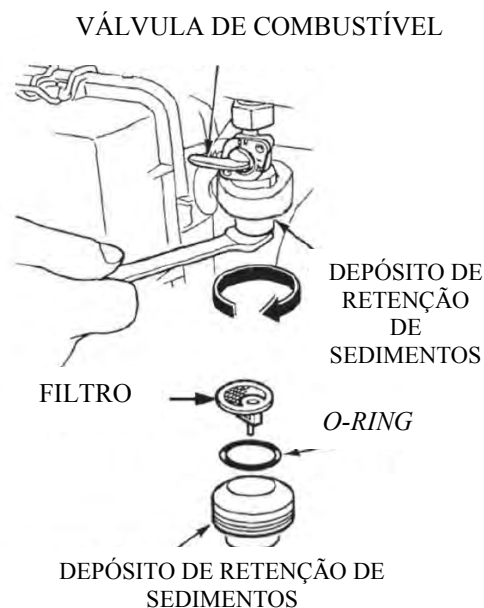
ELEMENTO FILTRANTE



3. Volte a colocar o filtro e a tampa nas suas posições.

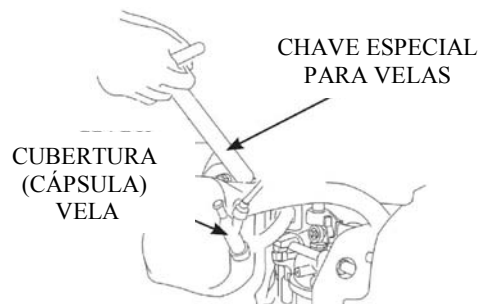
3. LIMPEZA DO DEPÓSITO DE RETENÇÃO DE SEDIMENTOS

1. Coloque a válvula de combustível na posição "OFF". Retire o depósito de retenção de sedimentos, o anel de retenção (O-ring) e o filtro respeitando o sentido ilustrado na figura.
2. Limpe o depósito de retenção de sedimentos, o anel de retenção (O-ring) e o filtro com um solvente não inflamável de baixo ponto de ignição.
3. Recoloque corretamente o anel de retenção (O-ring) e o filtro e enrosque completamente o depósito.
4. Coloque a válvula de combustível na posição "ON" e certifique-se de que não existem perdas.

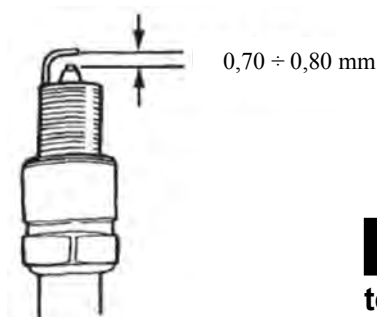


4. MANUTENÇÃO DAS VELAS

1. Velas recomendadas: F7RTC ou equivalentes.
2. Retire a cobertura (cápsula) da vela.
3. Remova a vela com a ajuda de uma chave especial para velas.

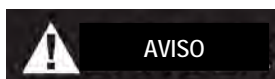


4. Analise a vela para verificar se o seu revestimento não apresenta fissuras ou fendas. Se o estado da vela não for satisfatório, substitua-a.
5. Meça a folga da vela com um calibrador e corrija-a, se necessário, flexionando o elétrodo com muita **ATENÇÃO**. Folga admissível: $0,70 \div 0,80$ mm.
6. Verifique o estado de conservação da anilha da vela.
7. Instale a vela, aperte-a com a chave especial para velas e imobilize bem a anilha.



ATENÇÃO Use sempre velas compatíveis com as temperaturas operacionais aplicáveis.

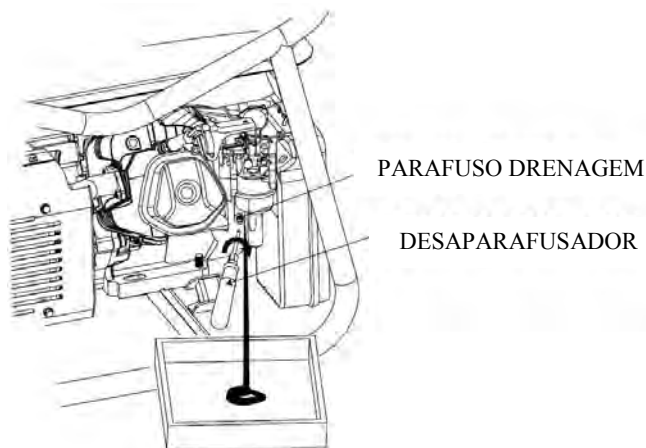
ARMAZENAMENTO



Aguarde até que o grupo eletrogéneo arrefeça antes de o colocar no local de armazenamento em que terá de permanecer quando não se encontra em funcionamento, de forma a evitar o contacto com peças a alta temperatura (motor e/ou sistema de escape), o que pode resultar em queimaduras e/ou incêndios.

Caso o grupo eletrogéneo tenha de permanecer fora de funcionamento por um período prolongado, certifique-se de que o local em que tem de ficar armazenado não é excessivamente húmido e que não contém uma alta concentração de partículas/pó suspensos no ar.

1. Esvazie o depósito de combustível, limpe o filtro, o anel de retenção (*O-ring*) e o depósito de retenção de sedimentos e volte a instalá-los na sua posição. Desaperte o parafuso de drenagem do carburador para drenar o combustível que possa estar no interior e volte a colocar e a apertar o parafuso.



PARAFUSO DRENAGEM

DESAPARAFUSADOR



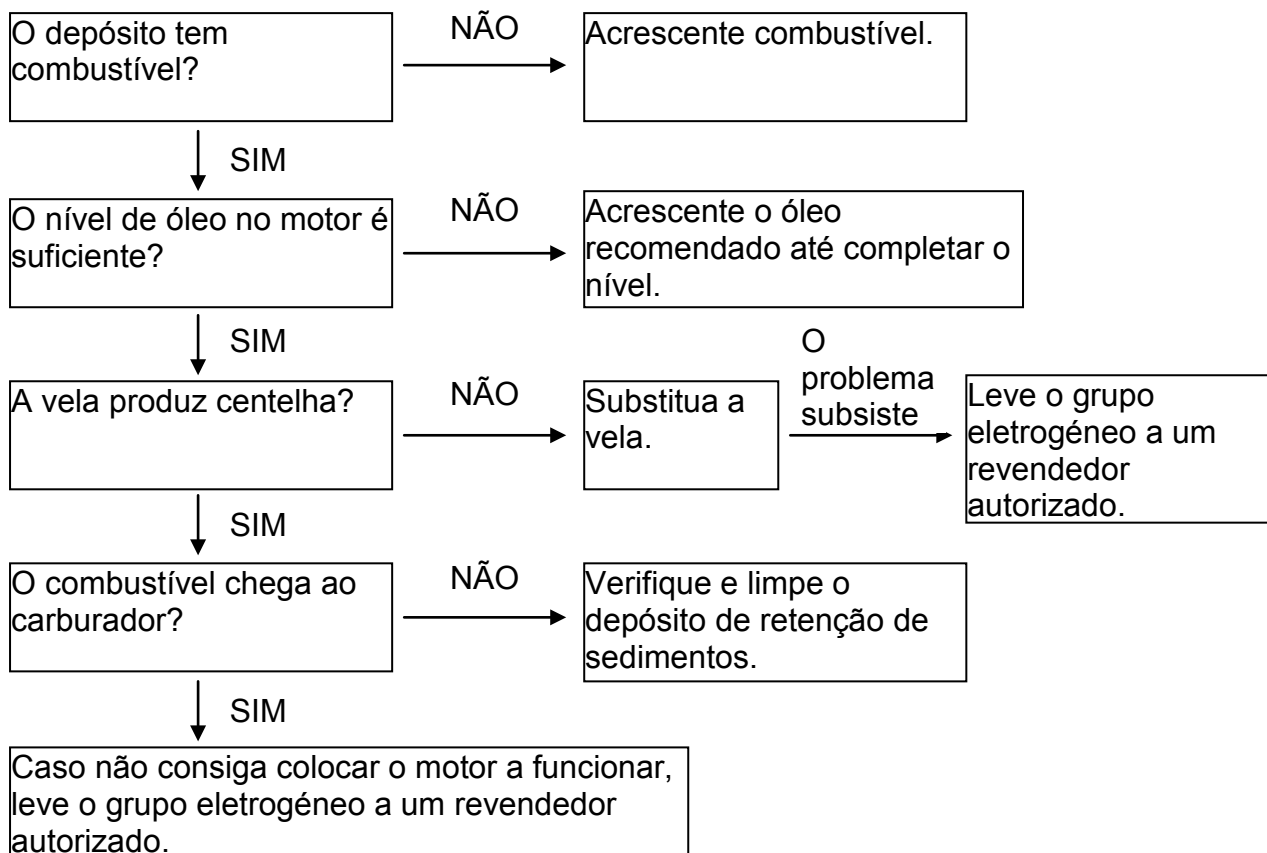
AVISO

A gasolina (nafta) é um fluido extremamente inflamável que, em determinadas condições, pode provocar explosões. Drene o combustível do grupo eletrogéneo num local bem ventilado e sempre com o motor completamente desligado. Não fume nem permita a existência de fontes de calor ativas (chamas, centelhas) no local enquanto drena o combustível do motor.

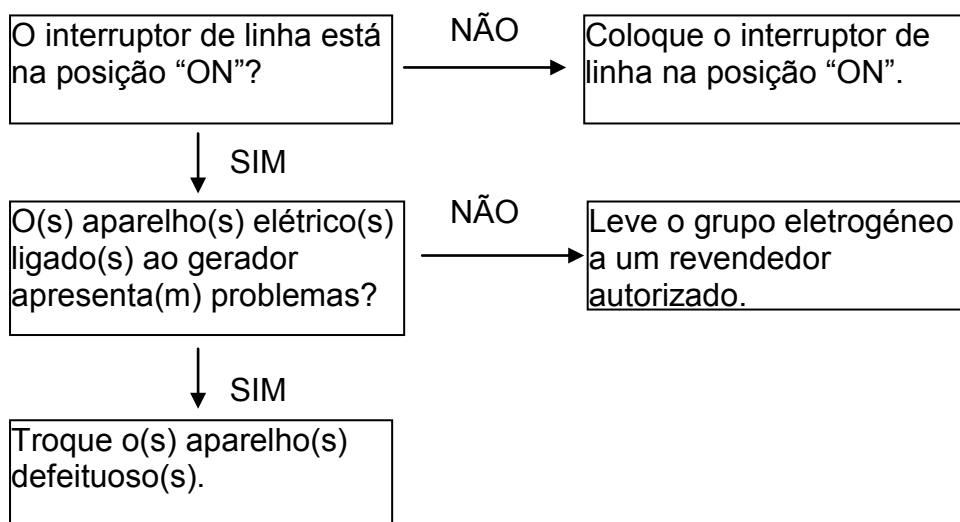
2. Desenrosque a tampa com a vareta de verificação de nível de óleo incorporada e a tampa de drenagem do cárter para esvaziar completamente o motor. Enrosque a tampa de drenagem e encha o cárter com óleo novo até alcançar o nível máximo (marca superior). Coloque a tampa com a vareta de verificação de nível e aperte-a bem.
3. Retire a vela e verta para dentro do cilindro cerca de 15 ml de óleo de motor novo. Faça girar algumas vezes o motor, manualmente, para que o pistão percorra várias vezes o seu curso e o óleo se distribua uniformemente antes de voltar a instalar a vela.
4. Puxe lentamente o punho do arrancador auto retrátil até sentir alguma resistência. Assegure-se de que as válvulas de admissão e escape estão fechados.
5. Coloque, convenientemente, o grupo eletrogéneo numa zona limpa.

ANÁLISE E SOLUÇÃO DE PROBLEMAS DE FUNCIONAMENTO

O MOTOR NÃO ARRANCA

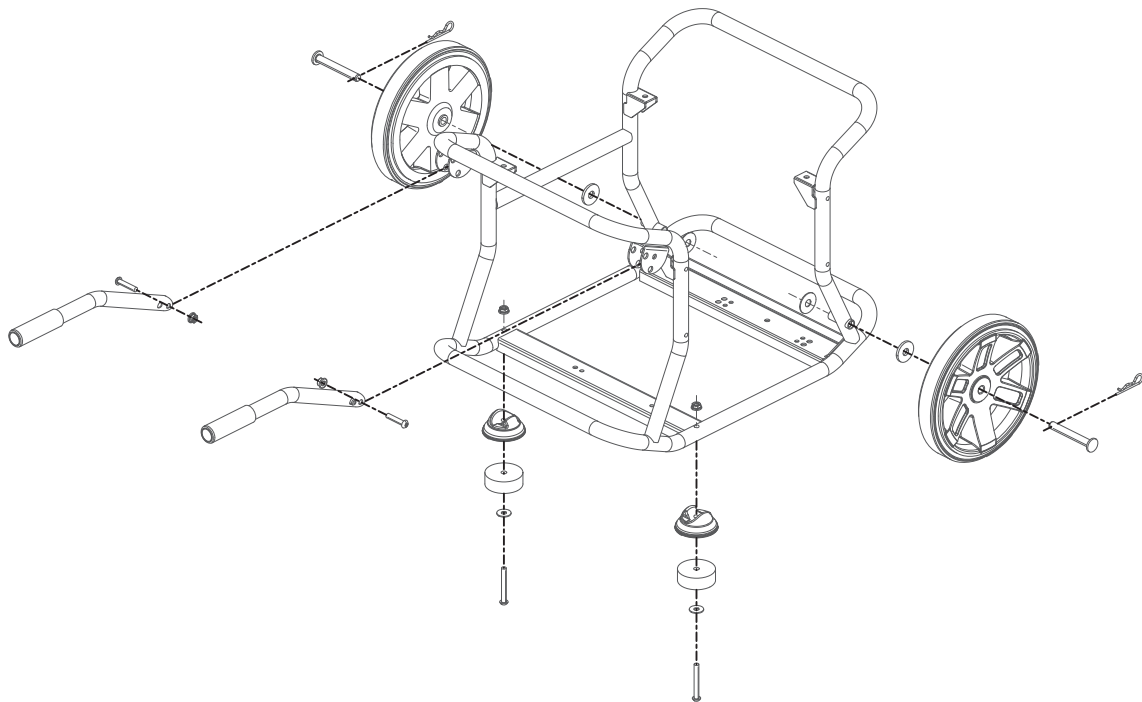
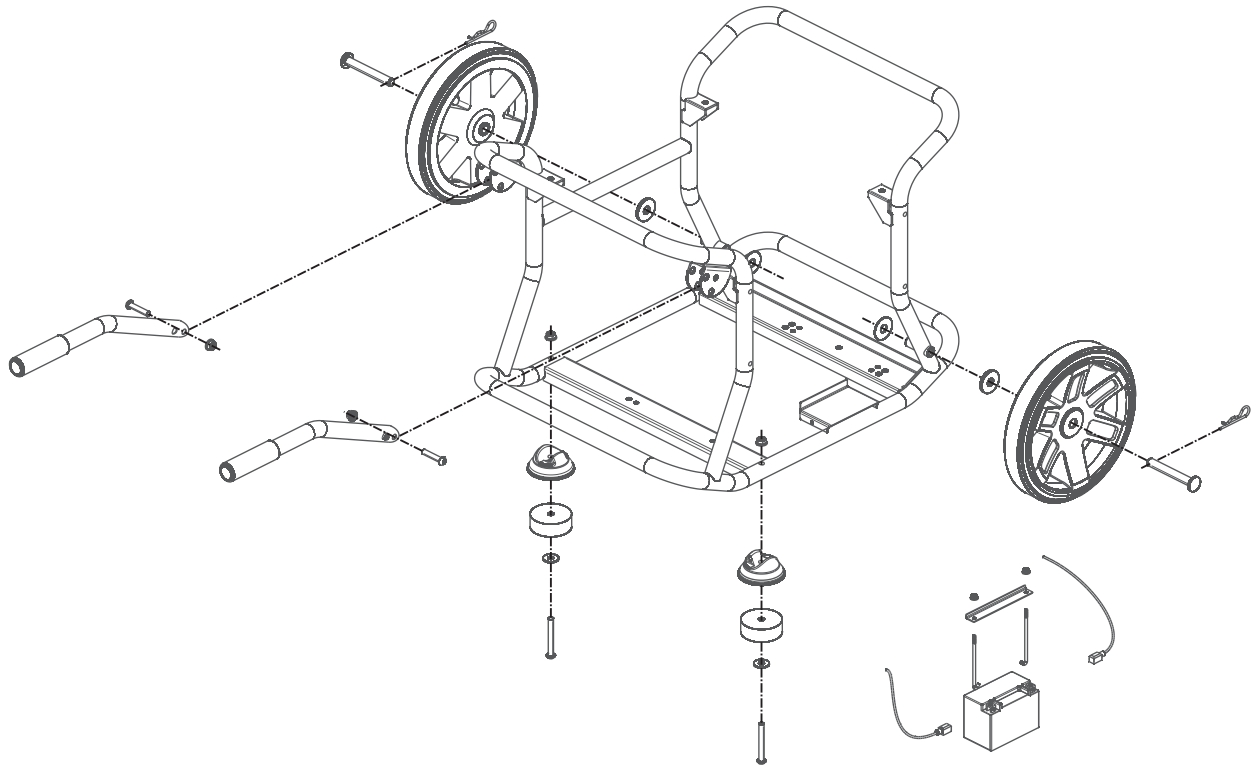


ENERGIA ELÉTRICA



KIT DE RODAS PARA TRANSPORTE

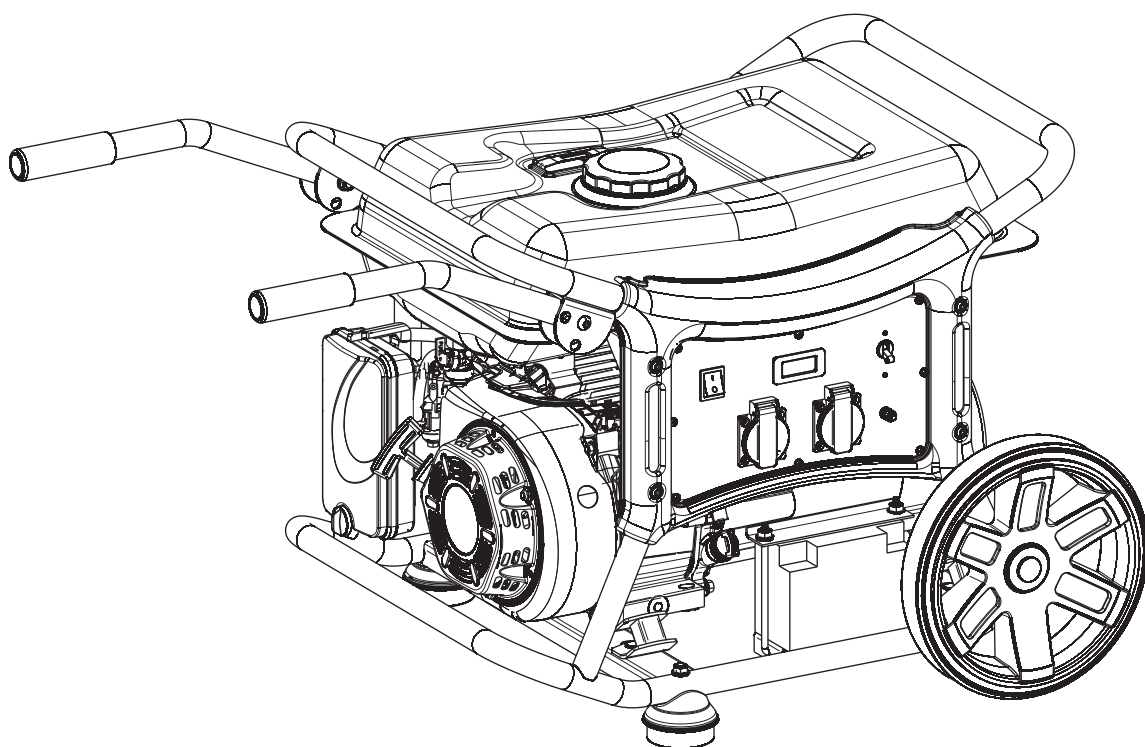
1. Instale as 2 rodas no eixo posicionando as juntas e os linguetes corretamente.
2. Una firmemente o conjunto de rodas à placa inferior do bastidor do grupo eletrogéneo com parafusos e porcas.
3. Fixe o guiador ao bastidor.





Manual de utilizare

WX



Vă mulțumim pentru achiziționarea generatorului Pramac.

Acest manual include informații importante privind operarea generatorului. Pentru a obține cele mai bune rezultate, înainte de a utiliza generatorul, vă rugăm să citiți cu atenție toate avertismentele și mesajele privind siguranța.

Toate informațiile incluse în acest manual se bazează pe cele mai recente date cu privire la produs, disponibile la data tipăririi documentului. Conținutul manualului poate diferi față de produsul în sine datorită reviziilor și modificărilor survenite.

Compania noastră își rezervă dreptul de a modifica prezentul document fără noti carea prealabilă utilizatorului și fără a-și asuma niciun fel de responsabilitate cu privire la aceste modificări. Se interzice reproducerea acestui manual fără acordul prealabil, în scris, al companiei noastre.

Manualul se livrează împreună cu produsul și trebuie păstrat împreună cu acesta.

MESAJE PRIVIND SIGURANȚA

Siguranța dumneavoastră și a celorlalte persoane este extrem de importantă. Manualul include mesaje importante privind siguranța. Vă rugăm să citiți cu atenție aceste mesaje. Mesajele privind siguranța atenționează utilizatorul cu privire la potențialele pericole. Mesajele privind siguranța sunt precedate de un simbol și de unul dintre următoarele cuvinte: PERICOL, AVERTISMENT sau ATENȚIE. Aceasta înseamnă:

PERICOL

Pericol de DECES sau VĂTĂMĂRE CORPORAL GRAV în caz de nerespectare a instrucțiunilor.

AVERTISMENT

Nerespectarea instrucțiunilor poate duce la DECES sau la VĂTĂMĂRI CORPORALE GRAVE.

ATENȚIE

Nerespectarea instrucțiunilor poate duce la VĂTĂMĂRI CORPORALE GRAVE.

NOTĂ

Nerespectarea instrucțiunilor poate duce la deteriorarea produsului și poate cauza daune proprietății.

PR INDUSTRIAL s.r.l.
Loc. Il Piano
CAP 53031, Casole D'Elsa (SI)
ITALIA

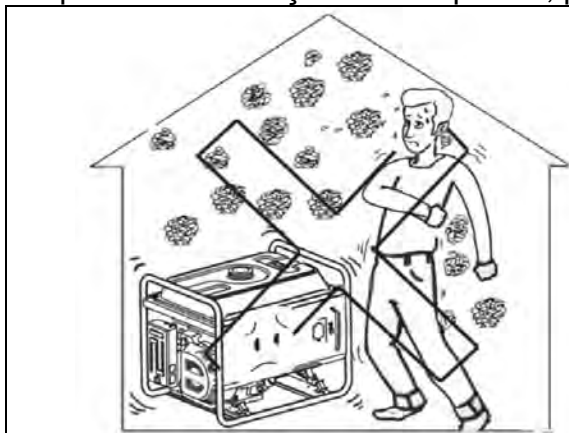
CUPRINS

NOTĂ PRIVIND SIGURANȚA	134
IDENTIFICAREA COMPONENTELOR	135
COMENZI	136
FUNȚIONAREA GENERATORULUI	137
VERIFICARE PREOPERĂȚIONALĂ	138
PORNIREA MOTORULUI.	141
OPRIREA MOTORULUI	141
ÎNȚREȚINERE	142
DEPOZITARE	145
DEPANARE.	146
KIT ROȚI	147
DECLARAȚIE CE	148
SERIE PLĂCUȚE.	148

NOTĂ PRIVIND SIGURANȚA

1. STANDARD DE SIGURANȚĂ

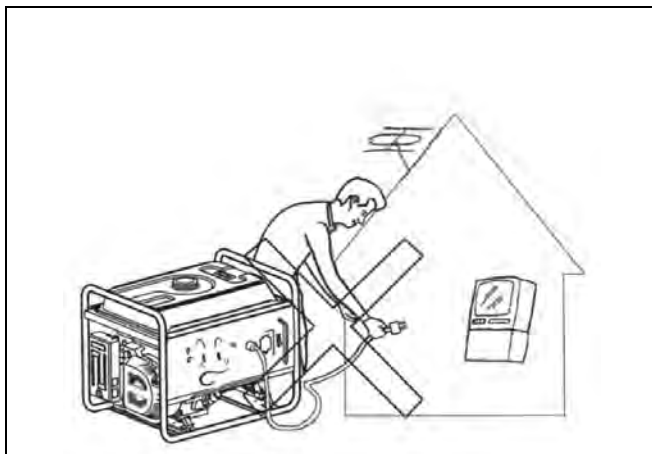
Vă rugăm să citiți cu atenție acest manual de utilizare înainte de a folosi generatorul. Prin respectarea instrucțiunilor de operare, puteți împiedica apariția accidentelor.



Nu folosiți generatorul în casă



Nu folosiți generatorul în condiții de umiditate



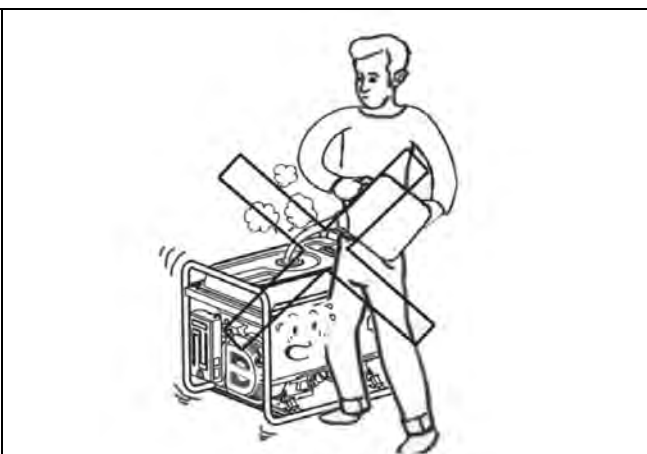
Nu conectați direct la priza din casă



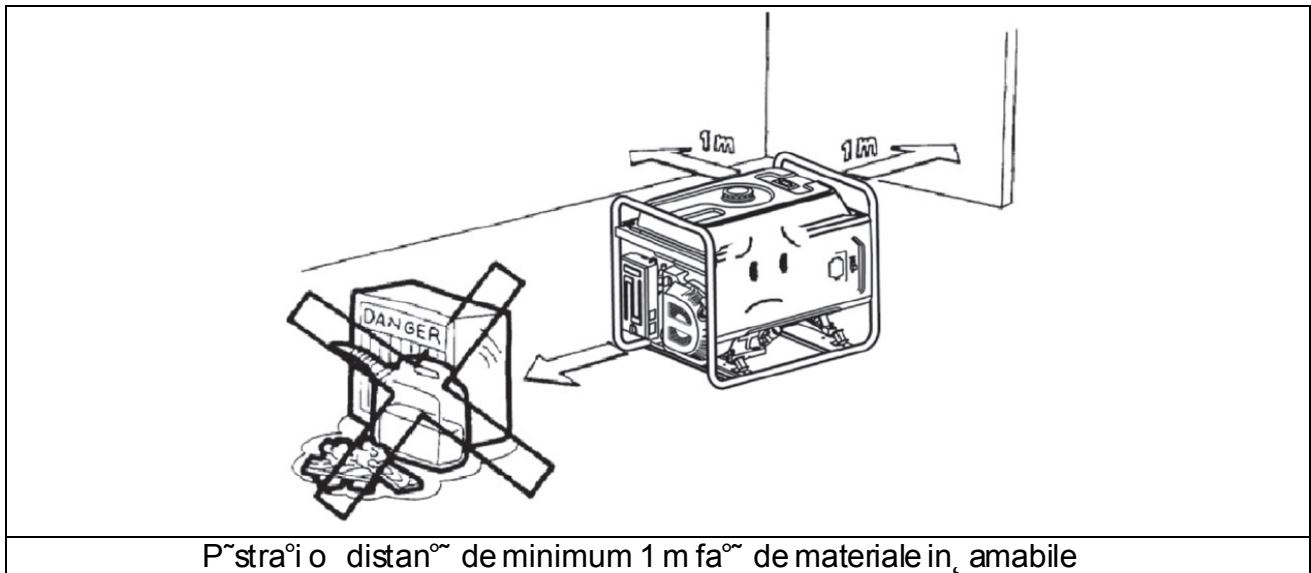
Nu fumați în timpul realimentării



Nu vărsați combustibilul în timpul realimentării



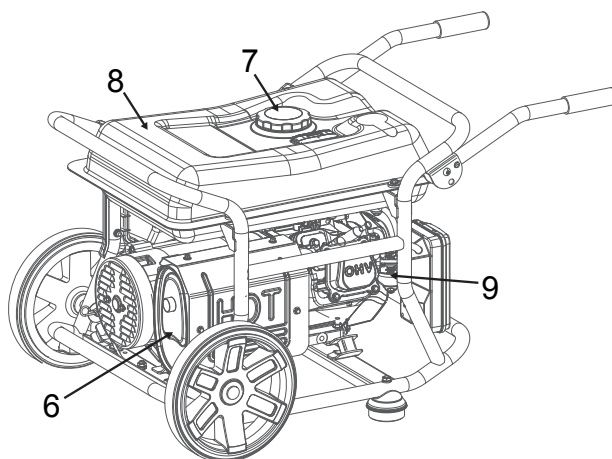
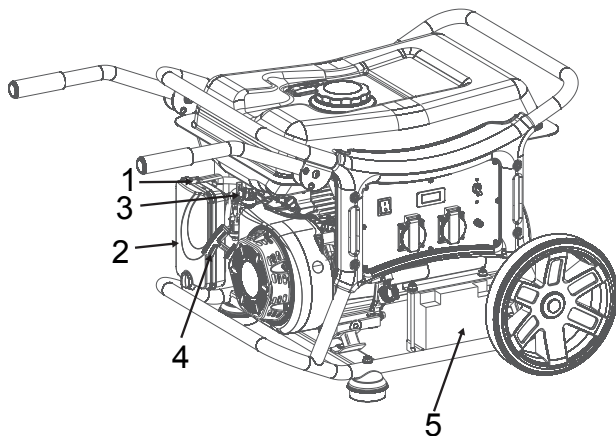
Opriți motorul înainte de a realimenta



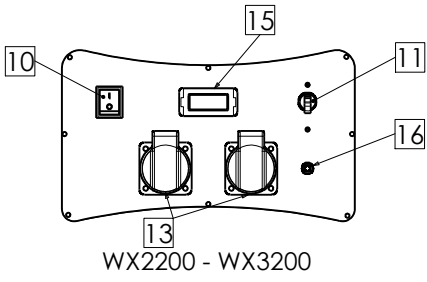
2. CERNESPECALE

- Cablurile echipamentelor electrice nu trebuie sã rãmânã expuse
- Întrerupãtoarele trebuie sã ȳe compatibile cu generatorul. În cazul în care trebuie înlocuite, noile întrerupãtoare trebuie sã aibã aceeași capacitate nominalã și aceeași caracteristici.

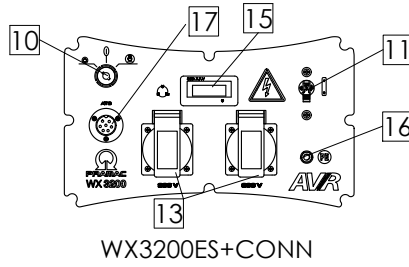
IDENTIFICAREA COMPONENTELOR



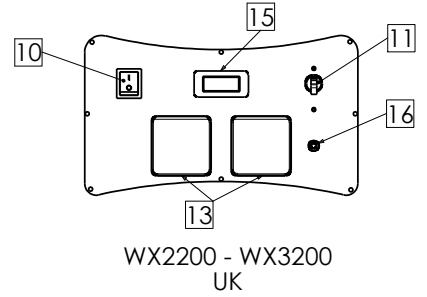
1	MANET ȘOC
2	FILTRU DE AER
3	VALV Ș DECOMBUSTIBIL
4	ȘOC - MȘNER DEMAROR
5	BATERIE (ES)
6	TOBA DE ȘAPAMENT
7	CAPAC REZERVOR COMBUSTIBIL
8	REZERVOR COMBUSTIBIL
9	CARBURATOR
10	COMUTATOR GENERATOR
11	ÎNTRERUP TOR
12	ÎNTRERUP TOR PRZ Ș
13	PRZ
14	PRZ Ș CEE
15	CONTOR DE TIMP - VOLTMETRU - FRECVEN Ș METRU
16	TERMINAL ÎP Ș MȘNTARE
17	ATS CONNECTOR (CONN)



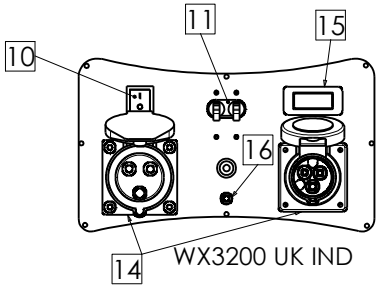
WX2200 - WX3200



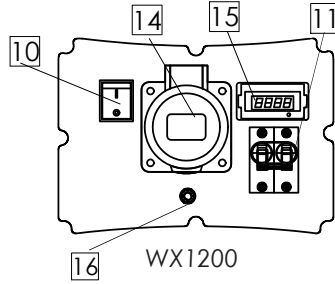
WX3200ES+CONN



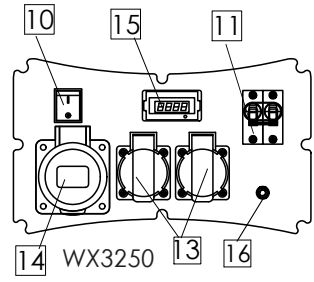
WX2200 - WX3200
UK



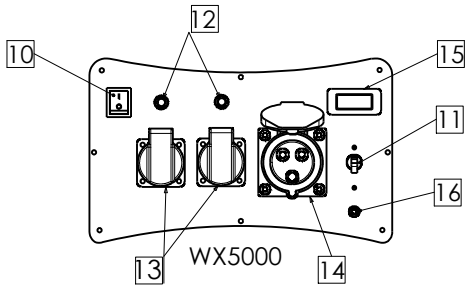
WX3200 UK IND



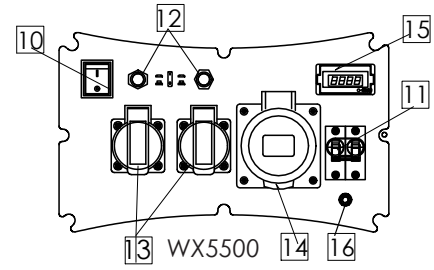
WX1200



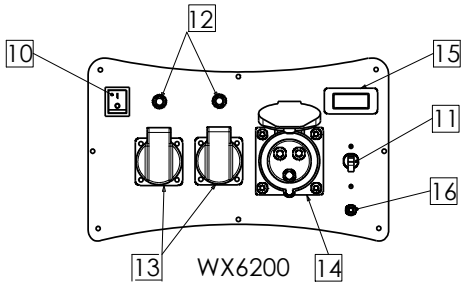
WX3250



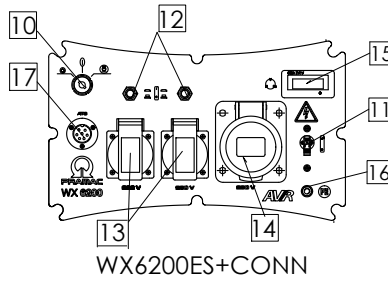
WX5000



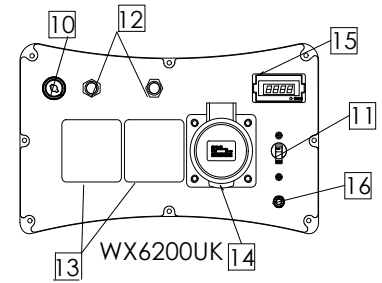
WX5500



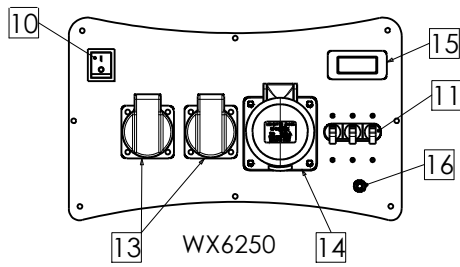
WX6200



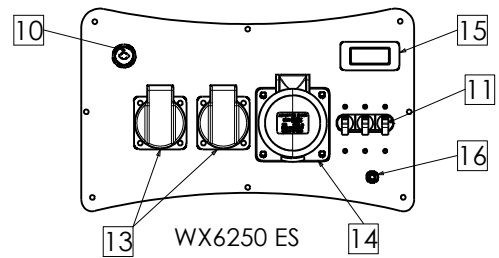
WX6200ES+CONN



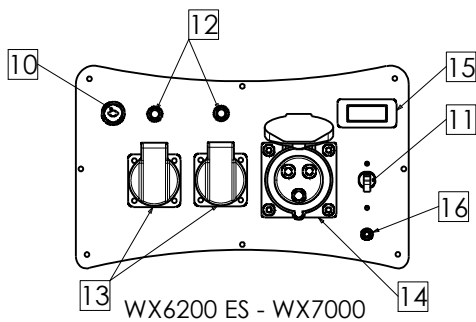
WX6200UK



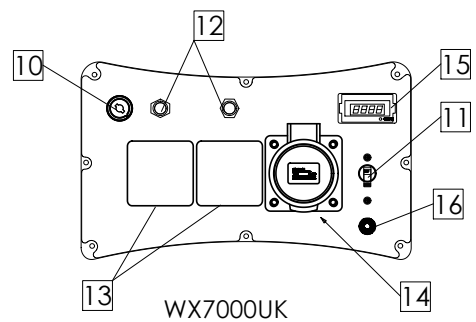
WX6250



WX6250 ES



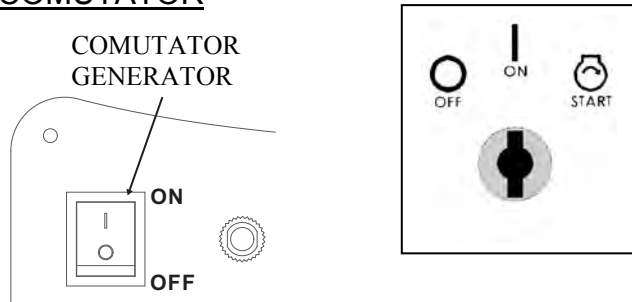
WX6200 ES - WX7000



WX7000UK

COMENZI

1. COMUTATOR

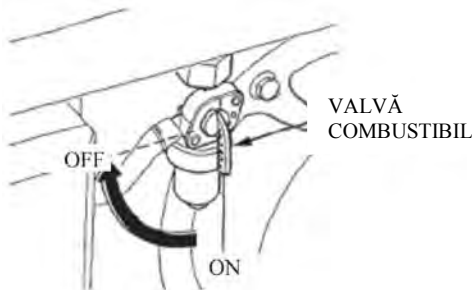
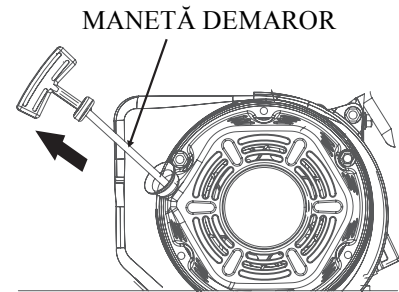


2. ȘOC

Pentru a porni motorul, trageți ușor de mânerul demarorului de până când simțiți rezistență și apoi trageți brusc.

NOTĂ

Nu lăsați mânerul demarorului să revină singur înapoi. Reduceți-l ușor în poziția inițială, pentru a preveni deteriorarea acestuia.

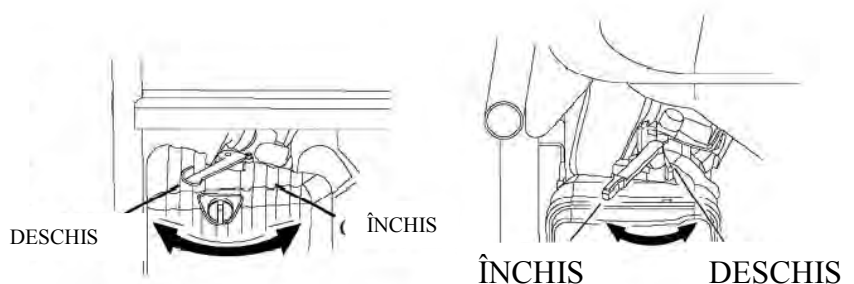


3. VALVĂ DE COMBUSTIBIL

Valva de combustibil controlează combustibilul care ajunge din rezervor la carburator. După oprirea motorului, mutați întotdeauna maneta în poziția "OFF".

4. MANETĂ ȘOC

Maneta șoc asigură pornirea motorului atunci când acesta este rece. Mutați ușor maneta șoc în poziția "OPEN" (DESCHIS) după ce motorul s-a încălzit.



5. ÎNTRERUPĂTOR AC /PROTECȚIE SUPRACURRENT

Curentul de suprasarcină va opri automat întrerupătorul pentru a împiedica scurtcircuitarea sau suprasarcina. Dacă indicatorul protecției la supra curent AC este ridicat, înseamnă că protecția la supracurent se află în poziția "OFF". Apăsăți butonul protecției la supracurent în poziția "ON", după câteva minute. Dacă întrerupătorul se stinge automat, reporniți-l.

6. SISTEMUL OIL ALERT

Sistemul de alertare al nivelului de ulei este proiectat să prevină deteriorarea motorului din cauza unei cantități insuficiente de ulei în carter. Înainte ca nivelul uleiului din carter să scadă sub limita de siguranță, sistemul Oil Alert va opri automat motorul (întrerupătorul motorului va rămâne în poziția ON (PORNIT)), astfel încât motorul să nu se deterioreze din cauza cantității insuficiente de ulei.

FUNȚIONAREA GENERATORULUI

Condiții de funcționare:

Temperatura: $-15^{\circ}\text{C} \sim 40^{\circ}\text{C}$

Umiditate: $< 95\%$

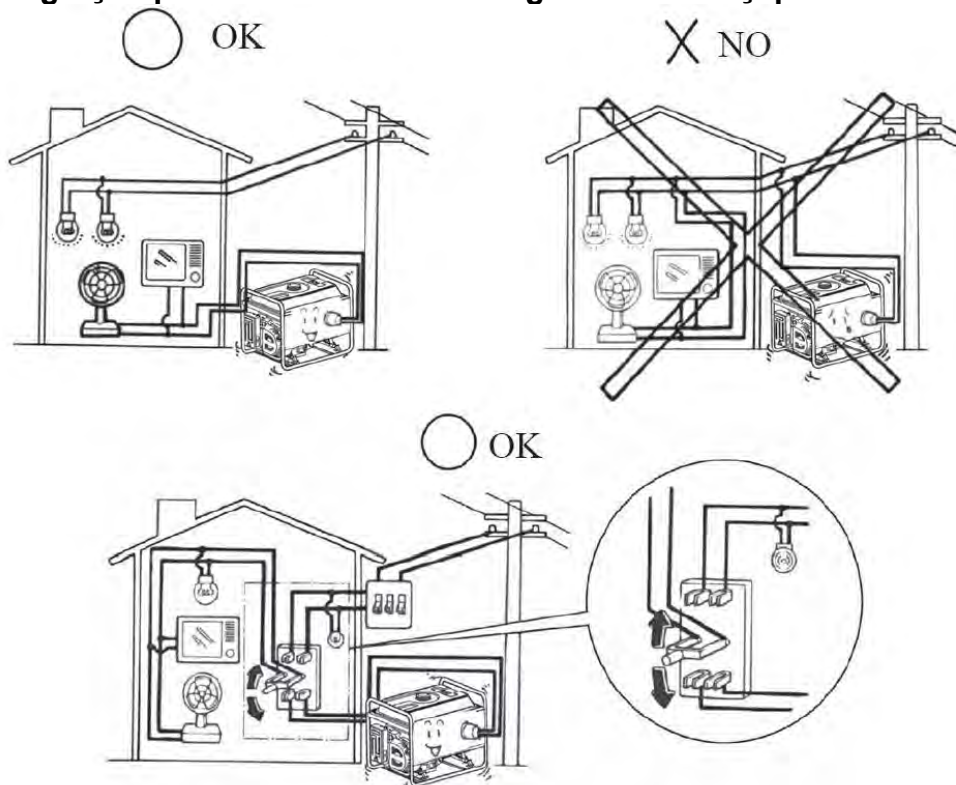
Altitudine: $< 1000 \text{ m}$ (la o altitudine mai mare de 1000 m , puterea motorului trebuie redusă).

1. CONECTAREA LA PRIZA

NOTĂ

Dacă generatorul va fi conectat la rețeaua casnică, conectarea trebuie realizată de un electrician calificat. După conectare, verificați cu atenție toate conexiunile electrice făcute.

Conexiunile greșite pot duce la deteriorarea generatorului și pot cauza incendii.



2. CURENT AC

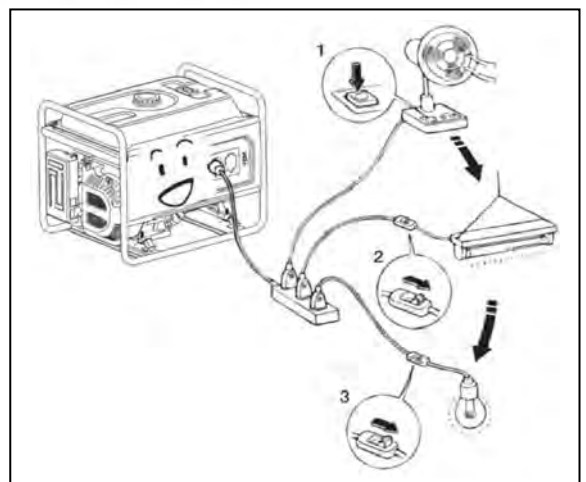
Înainte de a porni generatorul, verificați ca puterea totală (rezistență totală, capacivă și inductivă) să nu depășească puterea nominală a generatorului.

NOTĂ

Funcționarea la suprasarcină va scurta durata de funcționare a generatorului.

Dacă generatorul este conectat la echipamente electrice sau multi-sarcină, conectați întâi curentul maxim, apoi curentul secund și la final curentul minim.

În general, la echipamentele cu motor, curentul de pornire este mai mare.



3. FUNȚIONAREA LA ALTITUDINE MARE

La altitudine mare, amestecul standard aer-combustibil este excesiv de bogat. Performanța va scădea, iar consumul de combustibil va crește. Performanța la altitudine mare poate fi îmbunătățită prin instalarea în carburator a unui jiclor principal de combustibil cu diametru mai mic și prin reajustarea șurubului pilot. Dacă folosiți în permanență motorul la altitudini mai mari de 1000 m, asigurați-vă că aceste modificări la carburator sunt realizate de dealerul nostru autorizat. Dacă nu, reduceți sarcina. Chiar și cu modificarea corespunzătoare a carburatorului, puterea motorului va scădea cu aproximativ 3,5% la fiecare creștere cu 300 m a altitudinii. Efectul altitudinii asupra puterii va fi mai mare de atât dacă nu se aduc modificări carburatorului.

NOTĂ

Exploatarea motorului la altitudini mai mici decât cele pentru care carburatorul a fost modificat poate avea ca rezultat reducerea performanței, supraîncălzirea și deteriorarea gravă cauzate de un amestec aer-combustibil excesiv de sărac.

VERIFICARE PREOPERAȚIONALĂ

1. ULEI DE MOTOR

NOTĂ

Uleiul de motor are un rol extrem de important în funcționarea și durata de viață a motorului. Utilizarea uleiului nedetergent sau a uleiului pentru motoare în 2 timpi poate scurta durata de viață a motorului. Verificați nivelul uleiului înainte de fiecare utilizare, cu motorul oprit, așezat pe o suprafață plană.

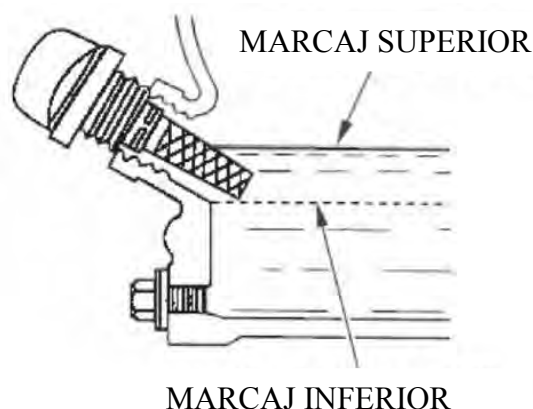
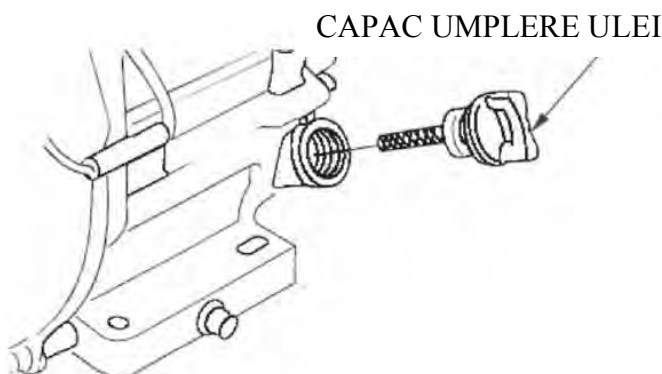
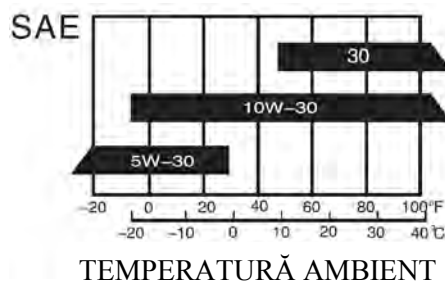
Ulei recomandat
ulei pentru motoare în 4 timpi
ulei clasa SF
sau SAE10W-30, echivalent clasa SG.

Metodă de verificare a nivelului uleiului:

Scoateți și curățați dopul de umplere cu ulei. Verificați nivelul uleiului introducând dopul în orificiul de umplere cu ulei, fără a înșuruba.

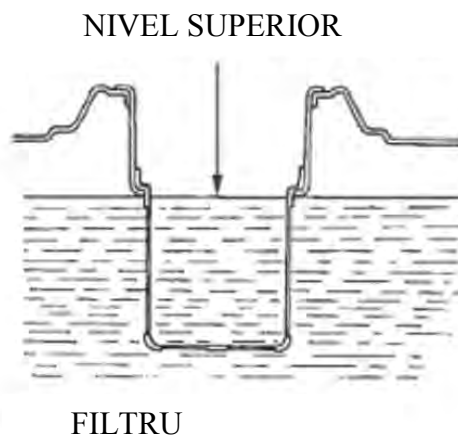
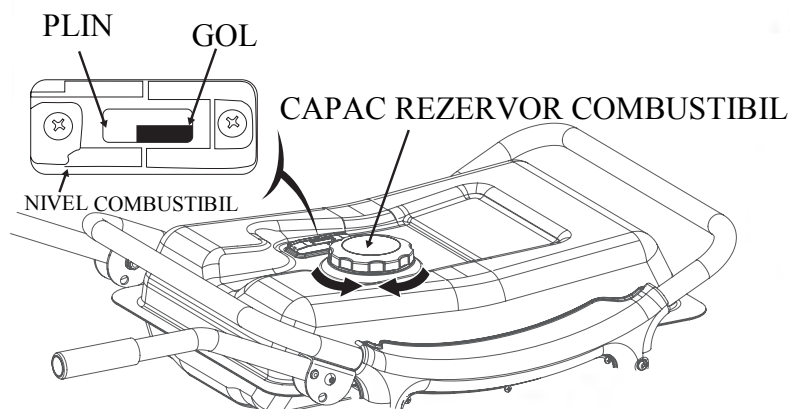
Dacă nivelul este prea mic, adăugați uleiul recomandat până la marcajul superior al capacului.

După ce ați adăugat ulei, nu uitați să înșurubați capacul la loc.



2. COMBUSTIBIL

1. Verificați nivelul de combustibil,
2. Reumpleți cu combustibil dacă nivelul este prea scăzut. Nivelul combustibilului nu trebuie să depășească filtrul.
3. Puneți la loc capacul de la rezervorul de combustibil.



AVERTISMENT

- Alimentați cu combustibil într-o zonă bine ventilată, cu motorul oprit. Nu fumați și nu lăsați să ajungă flăcări sau scântei acolo unde alimentați motorul sau unde depozitați benzina.
- Nu umpleți peste măsură rezervorul de combustibil.
- Evitați contactul prelungit sau repetat cu pielea sau inhalarea vaporilor.
- Nu lăsați la îndemâna copiilor.
- Nu utilizați ulei sau benzină cu impurități.

Utilizați benzină cu cifra octanică ≥ 90 .

Utilizați benzină fără plumb deoarece se vor forma mai puține depuneri pe motor și pe bujii, prelungind astfel durata de viață a sistemului de evacuare.

Nu utilizați niciodată benzină veche sau contaminată sau un amestec ulei /benzină. Evitați pătrunderea murdăriei sau a apei în rezervorul de benzină.

PORNIREA MOTORULUI

1. ȘOC

1. Eliminați toate sarcinile.
2. Mutați valva de combustibil în poziția "On".
3. Mutați întrerupătorul AC în poziția "OFF".
4. Mutați maneta șocului în poziția "CLOSE" (închis).

NOTĂ

Nu utilizați șocul dacă motorul este cald

5. Mutați întrerupătorul motorului în poziția "On".
6. Trageți ușor mânerul demarorului până când simțiți o rezistență, apoi trageți rapid.
7. Mutați ușor maneta șoc în poziția "OPEN" după ce motorul s-a încălzit.
8. Nu folosiți aparate electrice înainte de a muta întrerupătorul în poziția "ON".

NOTĂ

Nu utilizați șocul dacă motorul este cald

4. Mutați întrerupătorul motorului în poziția de pornire electrică.
5. După ce motorul a pornit, dați drumul întrerupătorului; acesta va reveni automat în poziția deschis.
6. Mutați ușor maneta șoc în poziția "OPEN" după ce motorul s-a încălzit.

NOTĂ

Dacă întrerupătorul este ținut mai mult de 5 secunde în poziția de pornire electrică, motorul se poate strica. Dacă motorul nu a pornit, dați drumul întrerupătorului, așteptați 10 secunde și apoi repetați operațiunea.

Dacă viteza motorului scade rapid după o anumită perioadă de timp, înseamnă că bateria trebuie reîncărcată.

OPRIREA MOTORULUI

1. Mutați întrerupătorul AC în poziția "OFF".
2. Mutați întrerupătorul motorului în poziția "OFF".
3. Mutați valva de combustibil în poziția "OFF".

NOTĂ

Pentru oprirea de urgență a motorului, mutați întrerupătorul în poziția "OFF".

ÎNȚREȚINERE

Întreținerea corectă este esențială pentru buna funcționare a generatorului. În acest mod se asigură și reducerea gradului de poluare.

AVERTISMENT

Gazele evacuate conțin monoxid de carbon. Oprți motorul înainte de a realiza activitățile de întreținere. Dacă este necesar ca motorul să funcționeze în continuare, asigurați-vă că zona este corect ventilată.

Întreținerea periodică este necesară pentru funcționarea corectă a generatorului. Activitățile de întreținere și verificare se vor face la intervalele indicate în graficul de întreținere de mai jos:

PERIOADA NORMALĂ DE SERVICE		Fiecare utilizare	Prima lună sau primele 20 ore (3)	La fiecare 3 luni sau la fiecare 50 ore (3)	La fiecare 6 luni sau la fiecare 100 ore (3)	În fiecare an sau la fiecare 300 ore (3)
Ulei de motor	Verificare nivel	○				
	Schimbare		○		○	
Filtru de aer	Verificare	○				
	Curățare			○ (1)		
Sita	Curățare				○	
Bujia	Curățare				○	Înlocuire
Jocul supapelor	Verificare - Reglare					○ (2)
Chiulasă	Curățare	La fiecare 300 ore (2)				
Rezervor și filtru	Curățare	La fiecare 2 ani (2)				
Furtun de ulei	Înlocuire	La fiecare 2 ani (2)				
WX1200–WX3250 Chiulasa de cilindru și capul pistonului	Curățare cărbuni	La fiecare 125 ore (2)				
WX5500–WX7000 Chiulasa de cilindru și capul pistonului	Curățare cărbuni	La fiecare 250 ore (2)				

1. Întreținerea se va face mai frecvent dacă aparatul este utilizat în zone cu praf.
2. Aceste piese trebuie servitate de un dealer autorizat.
3. Respectați intervalele corecte de întreținere pentru a asigura funcționarea corectă a generatorului.

AVERTISMENT

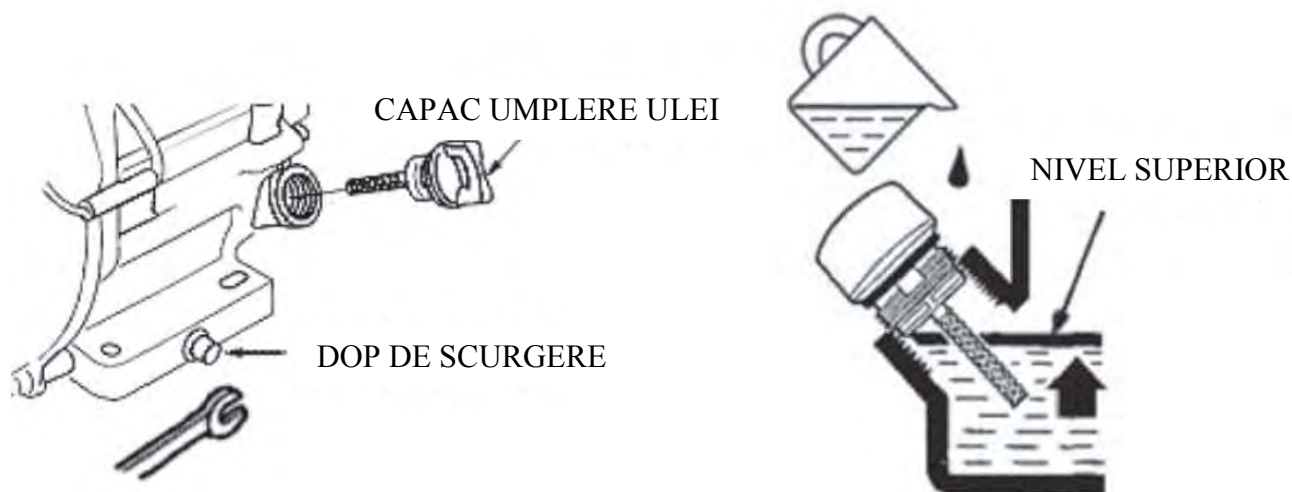
Întreținerea necorespunzătoare sau neremedierea problemelor înainte de utilizarea generatorului pot deteriora aparatul și pot cauza vătămări grave. Respectați cu strictețe recomandările și intervalele de întreținere menționate în acest manual.

1. SCHIMBAREA ULEIULUI

Goliți uleiul cât timp motorul este încă cald pentru a asigura golirea rapidă și completă.

1. Scoateți capacul de umplere cu ulei și dopul de scurgere pentru a permite golirea.
2. Puneți la loc dopul de scurgere.
3. Umpleți cu ulei și verificați nivelul.

Capacitate ulei: WX1200 - WX2200 - WX3200 - WX3250 : 0,6L;
WX5000 - WX5500 - WX6200 - WX6250 - WX7000 : 1L



ATENȚIE

A se vedea caracteristicile uleiului.

Eliminați uleiul uzat conform reglementărilor locale în vigoare.

2. ÎNTREȚINERE FILTRU DE AER

Un filtru de aer murdar va diminua debitul de aer către carburator. Pentru a preveni funcționarea defectuoasă a carburatorului, întrețineți regulat filtrul de aer. Întreținerea se va face mai frecvent dacă aparatul este utilizat în zone cu praf.

ATENȚIE

Nu folosiți benzină sau solvenți inflamabili pentru a curăța filtrul deoarece se pot produce incendii și explozii. Folosiți apă cu săpun sau un solvent non-inflamabil

NOTĂ

Nu utilizați niciodată motorul fără filtrul de aer. În caz contrar, motorul se va uza rapid.

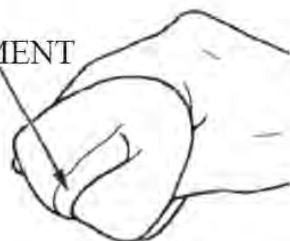
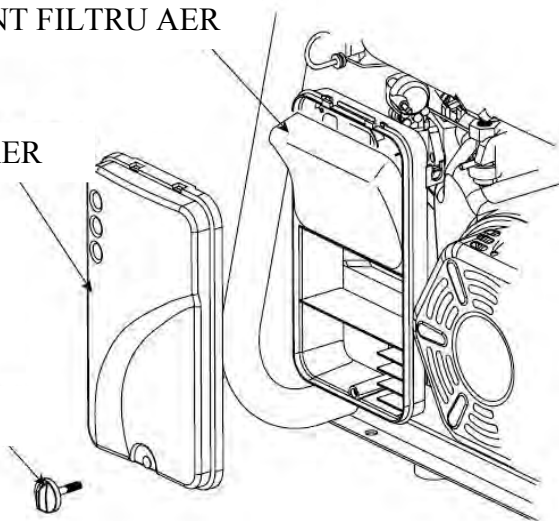
1. Apăsăți clemele de la capacul filtrului de aer și scoateți capacul. Verificați elementul să nu prezinte deteriorări și să fie curat.
2. Dacă elementul este murdar, curățați-l. Spălați elementul într-o soluție de detergent și apă caldă și clătiți bine sau spălați-l într-o soluție non-inflamabilă sau cu punct de inflamabilitate ridicat. Picurați câteva picături de ulei de motor pe element.

ELEMENT FILTRU AER

CAPAC FILTRU AER

CLEMĂ

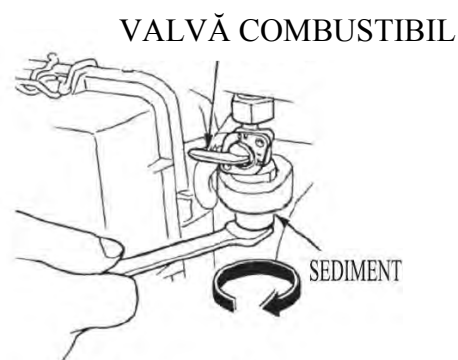
ELEMENT



3. Montați la loc filtrul și puneți capacul la loc.

3. CURĂȚAREA RECIPIENTULUI DE SEDIMENTE

1. Mutați valva de combustibil în poziția "OFF". Scoateți recipientul pentru sedimente, garnitura O-ring și filtrul, răsucind în direcția indicată de săgeată.
2. Curățați recipientul pentru sedimente, garnitura O-ring și filtrul într-un solvent non-inflamabil sau cu punct de inflamabilitate ridicat.
3. Montați la loc garnitura O-ring, filtrul și recipientul.
4. Mutați valva în poziția ON și verificați să nu existe scurgeri.

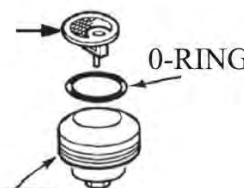


FILTRU

SEDIMENT

O-RING

SEDIMENT

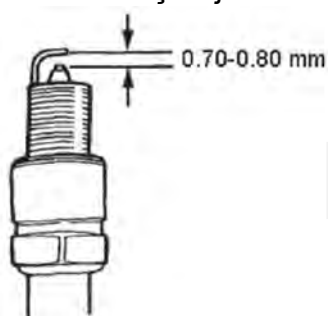
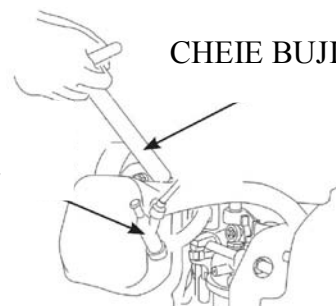


4. ÎNTREȚINEREA BUJIEI

1. Bujie recomandată: F7RTC sau echivalent
2. Scoateți fișa bujiei.
3. Utilizați o cheie adecvată.
4. Verificați vizual bujia să nu prezinte crăpături. Dacă este crăpată, înlocuiți bujia.
5. Măsurați distanța dintre electrozii bujiei cu o leră. Corectați atât cât este necesar, prin îndoirea electrodului lateral. Distanța trebuie să fie: 0,70-0,80 mm
6. Verificați ca șaiba bujiei să fie în stare bună.
7. După așezarea bujiei, strângeți cu o cheie pentru bujii pentru a comprima șaiba. Montați bujia corect.

FIȘĂ
BUJIE

CHEIE BUJII



NOTĂ

Folosiți doar bujiile indicate.

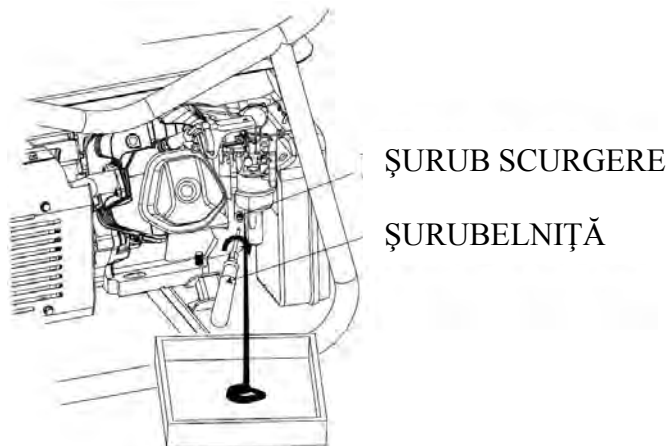
DEPOZITARE

AVERTISMENT

Nu atingeți motorul sau toba atunci când sunt calde deoarece vă puteți răni. Lăsați motorul să se răcească înainte de a-l depozita.

Dacă depozitați motorul pentru o perioadă mai lungă, asigurați-vă că zona de depozitare nu prezintă praf sau umiditate excesivă.

1. Goliți rezervorul de combustibil, curățați filtrul, garnitura O-ring și recipientul pentru sedimente și apoi montați-le la loc. Scoateți combustibilul din carburator slăbind șurubul de scurgere. După ce combustibilul s-a scurs, puneți șurubul la loc.



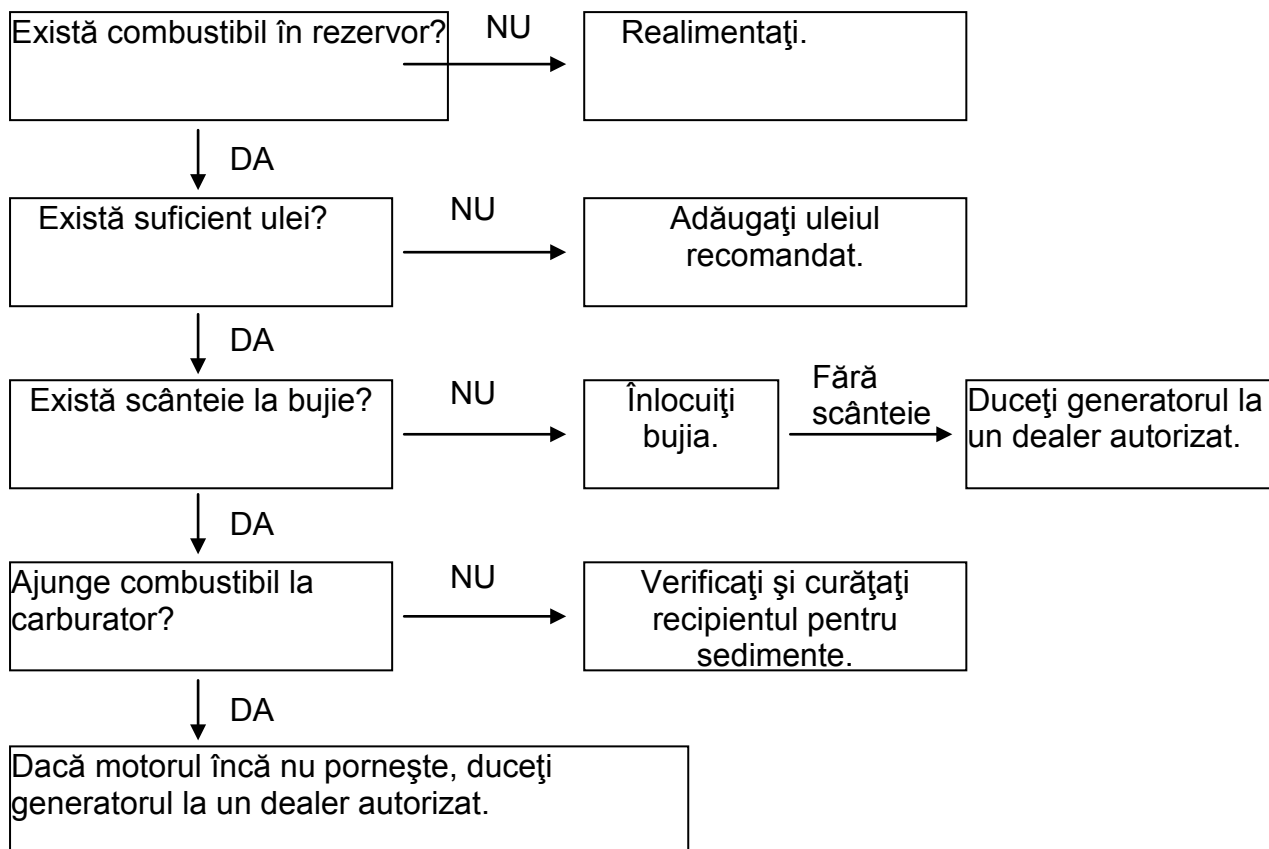
AVERTISMENT

Benzina este extrem de inflamabilă și poate exploda în anumite condiții. Scurgeți combustibilul într-o zonă bine ventilată, cu motorul oprit. Nu fumați și nici nu lăsați să ajungă în zonă flăcări sau scântei.

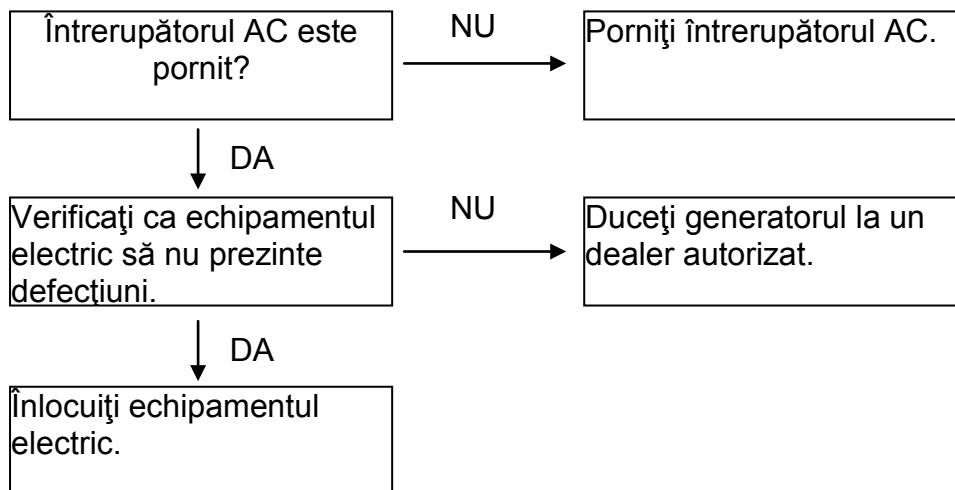
2. Slăbiți șurubul de drenare pentru a permite scurgerea completă a uleiului. Puneți șurubul la loc și umpleți cu un ulei nou, până la marcajul superior.
3. Scoateți bujia și turnați aproximativ o lingură de ulei de motor curat în cilindru. Porniți motorul pentru a permite uleiului să se distribuie în mod egal.
4. Trageți ușor mânerul demarorului până când simțiți rezistență. Lăsați valvele de admisie și evacuare închise.
5. Depozitați generatorul într-un spațiu curat.

DEPANARE

MOTORUL NU PORNEȘTE

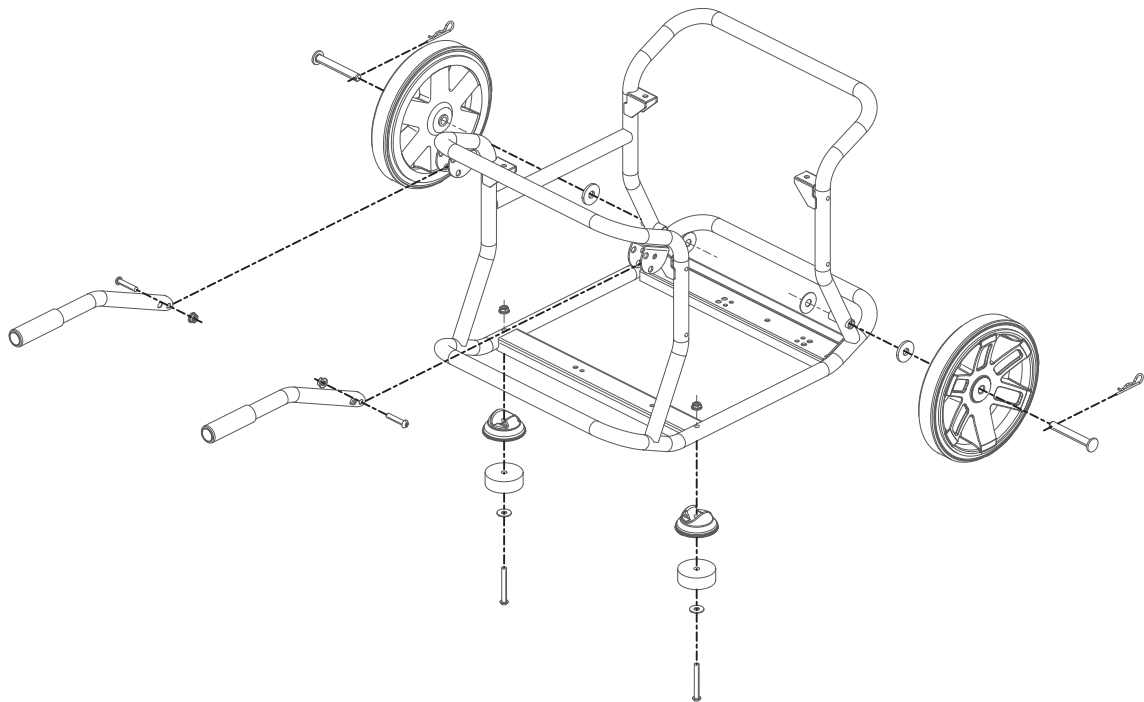
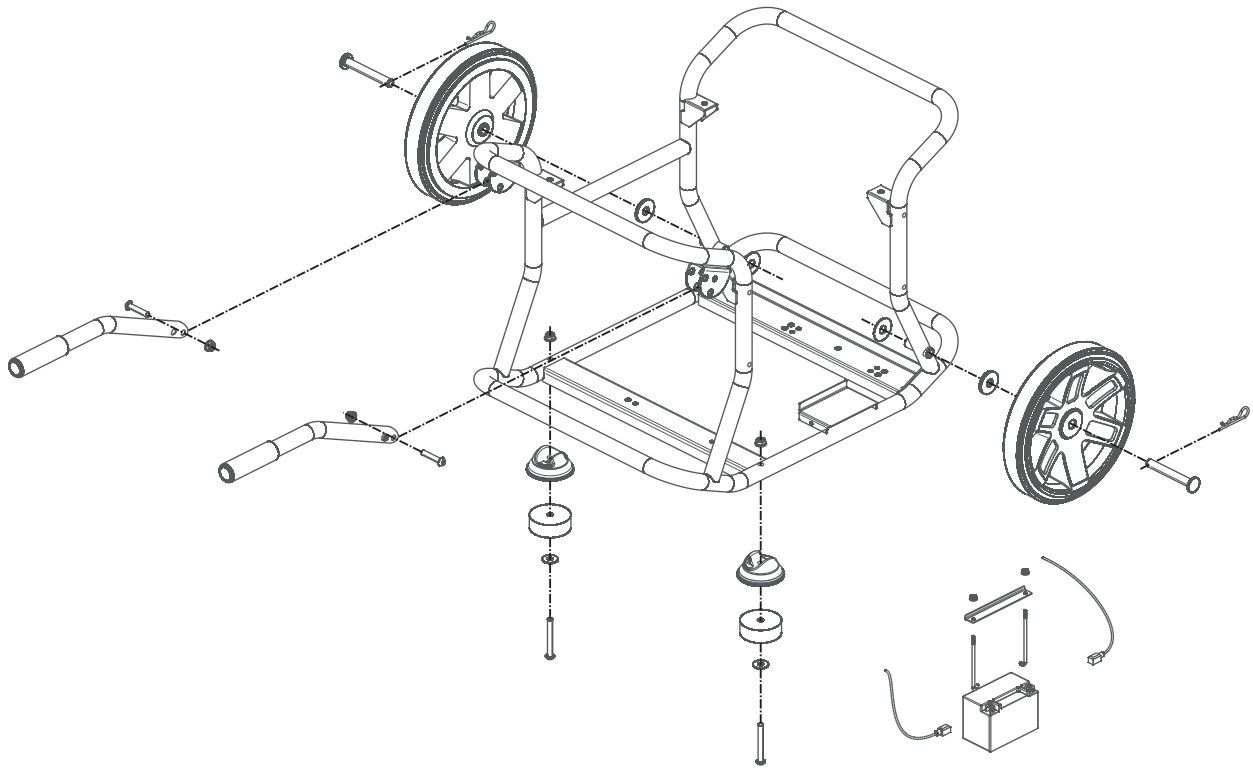


NU EXISTĂ CURENT LA GENERATOR



KIT ROȚI

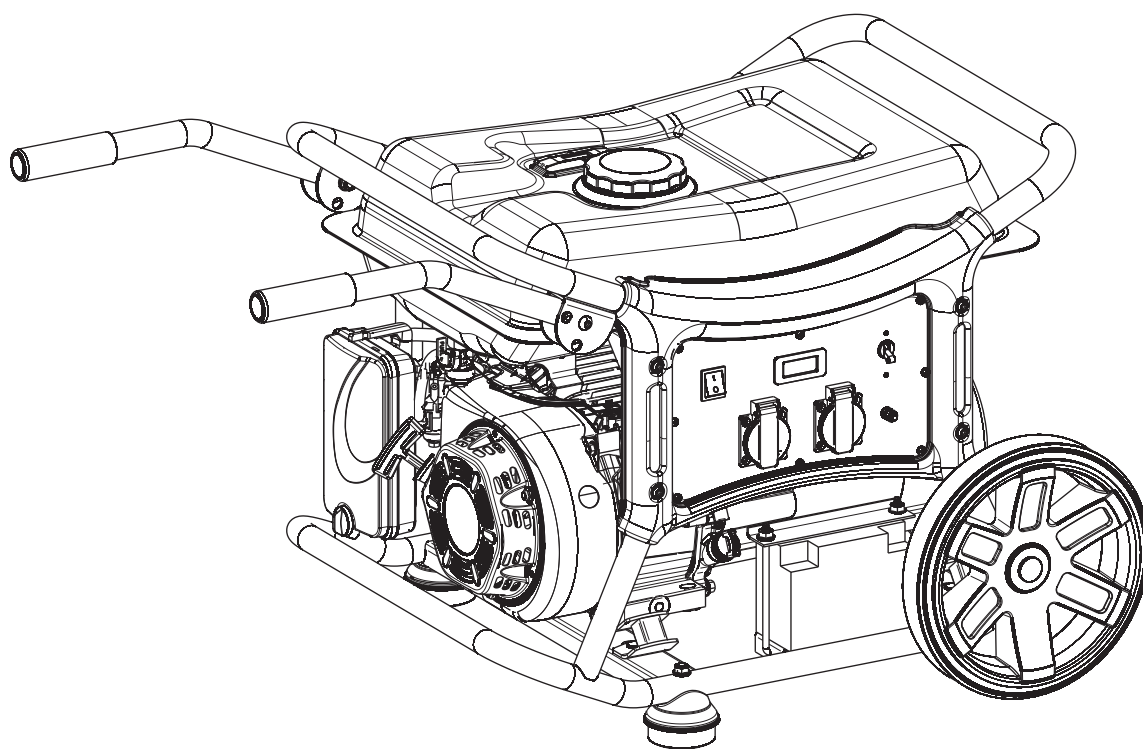
1. Fixați cele două roți pe ax cu ajutorul garniturilor și bolțurilor.
2. Montați roata pe placa de jos a cadrului generatorului cu ajutorul bolțurilor și piulițelor.
3. Fixați mânerul pe cadru.





РУКОВОДСТВО ПОЛЬЗОВАТЕЛЯ

WX



Благодарим Вас за то, что Вы выбрали генератор Pramac.

Эта инструкция содержит важную эксплуатационную информацию для отобранного генератора. Для получения лучших результатов, пожалуйста, прочитайте все сообщения по безопасности и соблюдайте осторожность прежде, чем начать эксплуатацию генератора.

Вся информация в этой публикации основана на последней, доступной в печати, информации о изделии. Содержание в этой инструкции может отличаться от фактических детали из-за пересмотра и других изменений.

Наша компания оставляет за собой право проводить изменения в любое время без уведомления и без каких-либо обязательств. Никакая часть этой публикации не может быть воспроизведена без письменного разрешения нашей компании.

Эту инструкцию нужно считать неотъемлемой частью генератора и она должна оставаться с генератором в случае перепродажи.

СООБЩЕНИЯ ПО БЕЗОПАСНОСТИ

Ваша безопасность и безопасность других лиц очень важны. Важные сообщения по безопасности приведены в данном руководстве и на самом генераторе. Пожалуйста, внимательно прочитайте эти сообщения.

Сообщения по безопасности сигнализируют о потенциальных опасностях, которые могут причинить травму Вам или другим лицам. Каждому сообщению по безопасности предшествует символ тревоги и одно из трех слов: ОПАСНОСТЬ, ПРЕДУПРЕЖДЕНИЕ, или ПРЕДОСТЕРЕЖЕНИЕ. Они означают:



ОПАСНОСТЬ – Если не следовать инструкциям, то может последовать СМЕРТЬ или СЕРЬЕЗНАЯ ТРАВМА



ПРЕДУПРЕЖДЕНИЕ - Если не следовать инструкциям, то может последовать СМЕРТЬ или СЕРЬЕЗНАЯ ТРАВМА



ПРЕДОСТЕРЕЖЕНИЕ - Если не следовать инструкциям, то может последовать ТРАВМА



ПРИМЕЧАНИЕ - Если не следовать инструкциям, то генератор или другое имущество могут быть повреждены.



СОДЕРЖАНИЕ

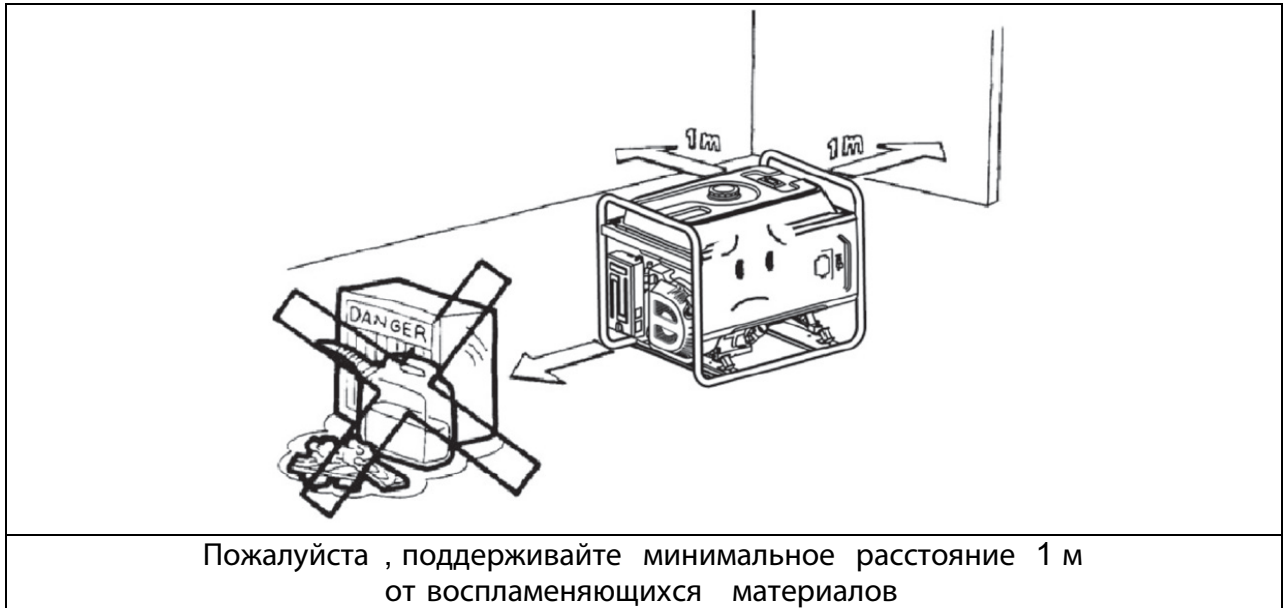
СООБЩЕНИЯ ПО БЕЗОПАСНОСТИ	152
СОДЕРЖАНИЕ	153
ПРИМЕЧАНИЯ, КАСАЮЩИЕСЯ ОБЕСПЕЧЕНИЯ БЕЗОПАСНОСТИ	155
ОПОЗНОВАНИЕ ЭЛЕМЕНТОВ	155
УПРАВЛЕНИЕ	156
ЭКСПЛУАТАЦИЯ ГЕНЕРАТОРА	156
ПРЕДПУСКОВАЯ ПРОВЕРКА	157
ЗАПУСК ДВИГАТЕЛЯ	161
ОСТАНОВКА ДВИГАТЕЛЯ	161
ТЕХНИЧЕСКОЕ ОБСЛУЖИВАНИЕ И ТЕКУЩИЙ РЕМОНТ	162
ХРАНЕНИЕ	167
ПОИСК И УСТРАНЕНИЕ НЕИСПРАВНОСТЕЙ	168
КОМПЛЕКТ ТЕЛЕЖКИ – РМV3200 – WХ6200 – WХ7000.....	169

ПРИМЕЧАНИЯ, КАСАЮЩИЕСЯ ОБЕСПЕЧЕНИЯ БЕЗОПАСНОСТИ

1. СТАНДАРТ БЕЗОПАСНОСТИ

Прочтите и разберитесь в этом руководстве по эксплуатации перед запуском и эксплуатацией генератора. Предотвратить несчастные случаи можно, если предварительно ознакомиться со средствами управления генератора, и в процессе наблюдения за безопасными рабочими процессами.

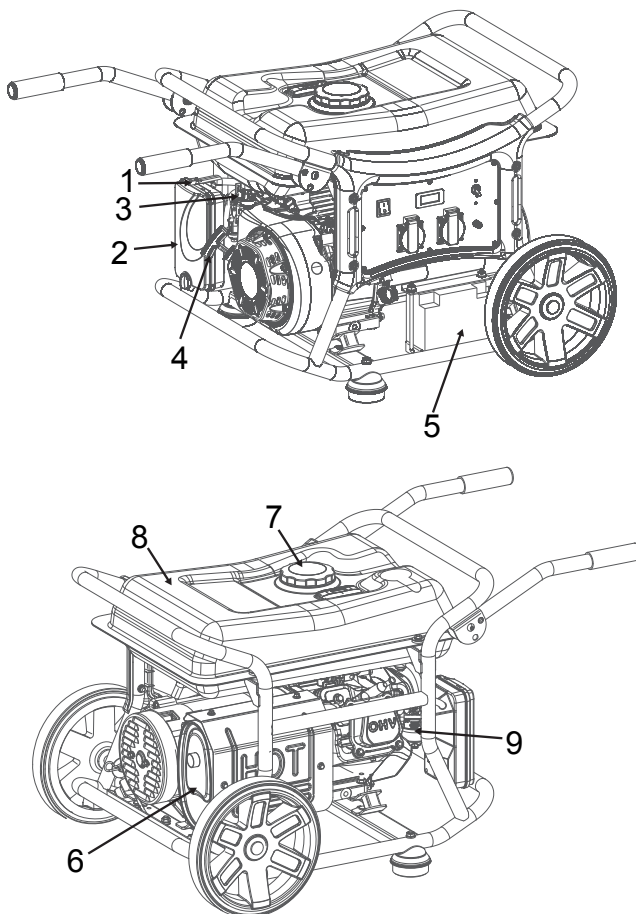
	
<p>Не работать в закрытом помещении.</p>	<p>Не эксплуатировать в условиях повышенной влажности</p>
	
<p>Не подключать непосредственно к домашней сети электропитания</p>	<p>Не курить при заправке топлива</p>
	
<p>Не переливать топливо при заправке.</p>	<p>Остановить двигатель перед заправкой</p>



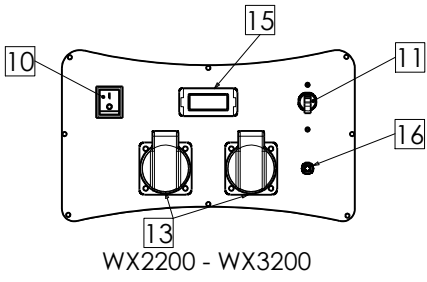
2. СПЕЦИАЛЬНЫЕ ТРЕБОВАНИЯ

- Электрооборудование включая провода и разъемные соединения должно быть без дефектов
- Автоматические выключатели должны быть согласованы с оборудованием генератора. Если автоматические выключатели требуют замены, они должны быть заменены на идентичное оборудование имеющее идентичные паспортные данные и рабочие характеристики

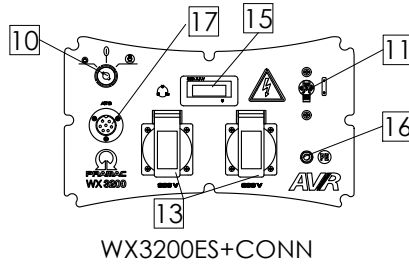
ОПЗНОВАНИЕ ЭЛЕМЕНТОВ



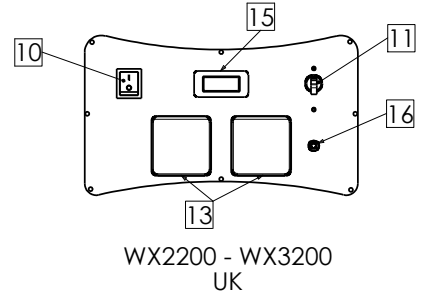
1	РЫЧАГ ЗАСЛОНКИ
2	ВОЗДУХООЧИСТИТЕЛЬ
3	ТОПЛИВНЫЙ КЛАПАН
4	РУКОЯТЬ СТАРТЕРА ОБРАТНОГО ХОДА
5	АККУМУЛЯТОР (E S)
6	ГЛУШИТЕЛЬ
7	КРЫШКА ТОПЛИВНОГО БАКА
8	ТОПЛИВНЫЙ БАК
9	КАРБЮРАТОР
10	ВЫКЛЮЧАТЕЛЬ ГЕНЕРАТОРА
11	СЕТЕВОЙ ВЫКЛЮЧАТЕЛЬ
12	ГНЕЗДО СЕТЕВОГО АВТОМАТА
13	ГНЕЗДА ЩУКО
14	ГНЕЗДА СЕЕ 400V 16A
15	ТАЙМЕР – ВОЛЬТМЕТР – ЧАСТОТОМЕР
16	КЛЕММА ЗАЗЕМЛЕНИЯ
17	Разъем ATS (CONN)



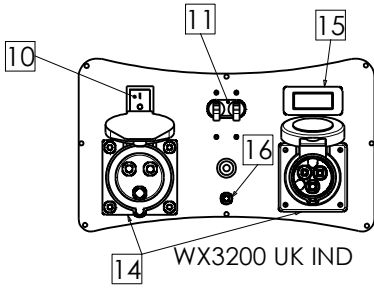
WX2200 - WX3200



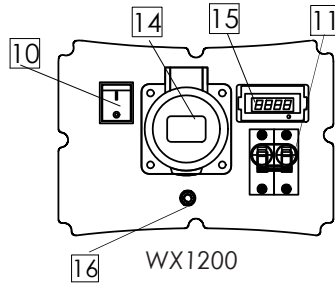
WX3200ES+CONN



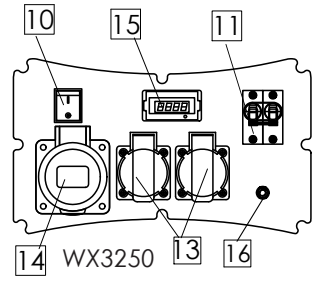
WX2200 - WX3200
UK



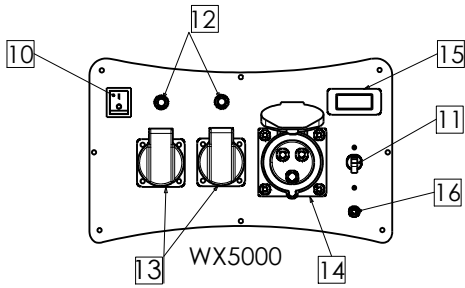
WX3200 UK IND



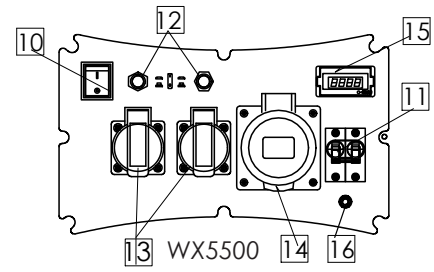
WX1200



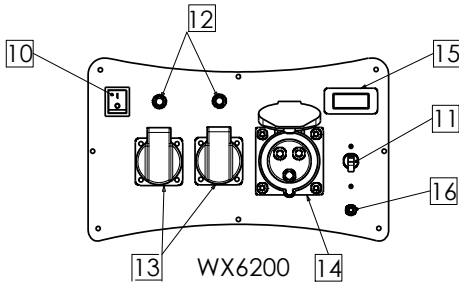
WX3250



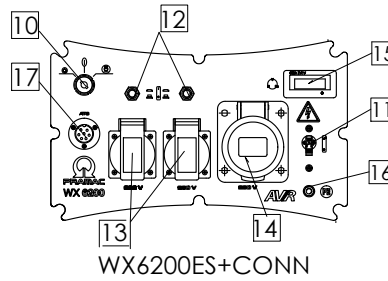
WX5000



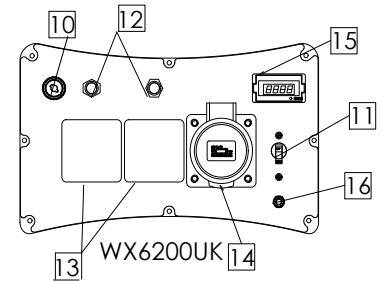
WX5500



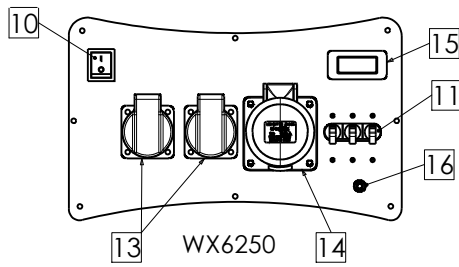
WX6200



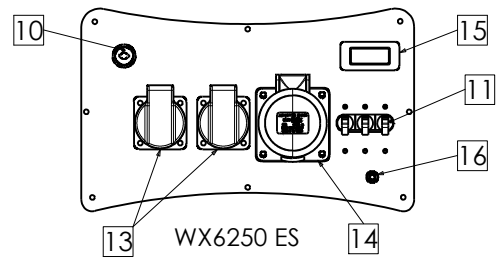
WX6200ES+CONN



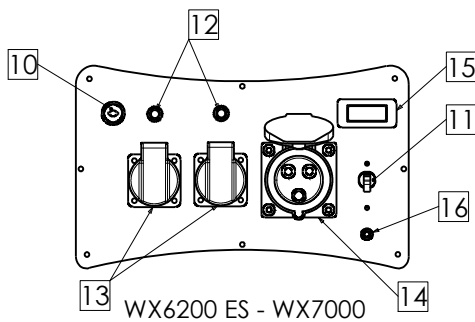
WX6200UK



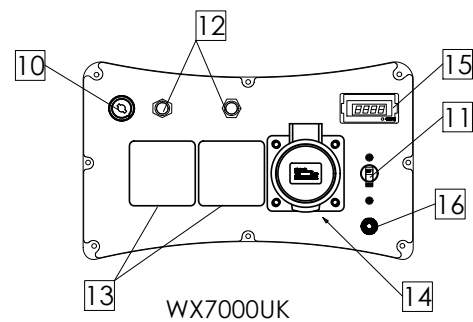
WX6250



WX6250 ES



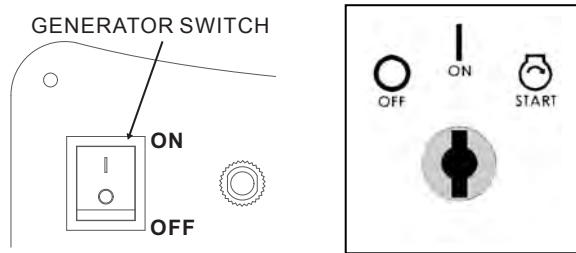
WX6200 ES - WX7000



WX7000UK

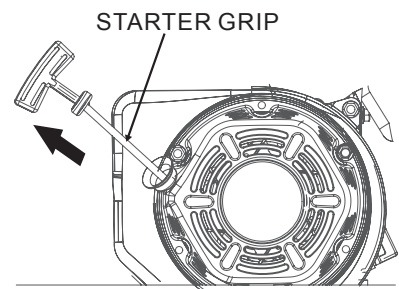
УПРАВЛЕНИЕ

1. ВЫКЛЮЧАТЕЛЬ ГЕНЕРАТОРА



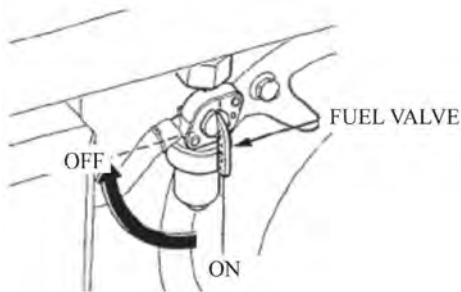
2. СТАРТЕР

Для запуска двигателя, потяните слегка ручку стартера пока не почувствуете сопротивления, затем потяните резко.



NOTICE

Не позволяйте стартеру отщелкнуться от двигателя. Осторожно возвращайте ручку, чтобы предотвратить повреждение стартера.

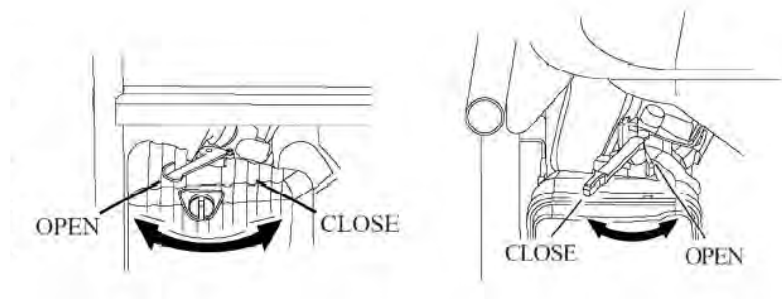


3. ТОПЛИВНЫЙ ВЕНТИЛЬ

Топливный вентиль управляет потоком топлива от топливного бака к карбюратору. Убедитесь в возврате рычага в положение "OFF" после остановки двигателя.

4. РЫЧАГ ЗАСЛОНКИ

Рычаг заслонки используется для того, чтобы обеспечить обогащенную топливную смесь при запуске холодного двигателя. Медленно перемещайте рычаг заслонки в положение "OPEN" после прогрева двигателя.



5. АВТОМАТ В ЦЕПИ ПЕРЕМЕННОГО ТОКА / ЗАЩИТА ОТ ПЕРЕГРУЗКИ ПО ТОКУ

Ток перегрузки автоматически выключает автомат, чтобы избежать короткого замыкания при нагрузке или перегрузки. Если индикатор автомата в цепи переменного тока поднят, это означает, что защитное устройство от перегрузки по току находится теперь в положении "OFF". Снова нажмите кнопку защитного устройства от перегрузки по току в положение "ON" через несколько минут. Если автомат в цепи переменного тока выключился автоматически, включите его снова.

6. АВАРИЙНАЯ СИГНАЛИЗАЦИЯ МАСЛЯНОЙ СИСТЕМЫ (кроме WX 2200)

Аварийная сигнализация масляной системы разработана для предотвращения повреждения двигателя, вызванного малым количеством масла в картере. Когда уровень масла в картере падает ниже предела безопасности, аварийная сигнализация масляной системы автоматически отключает двигатель (хотя выключатель генератора остается в положении ON), таким образом, двигатель не будет поврежден из-за малого количества масла.

ЭКСПЛУАТАЦИЯ ГЕНЕРАТОРА

Условия эксплуатации генератора:

Температура: - 15 ~ 40°C.

Влажность: ниже 95%.

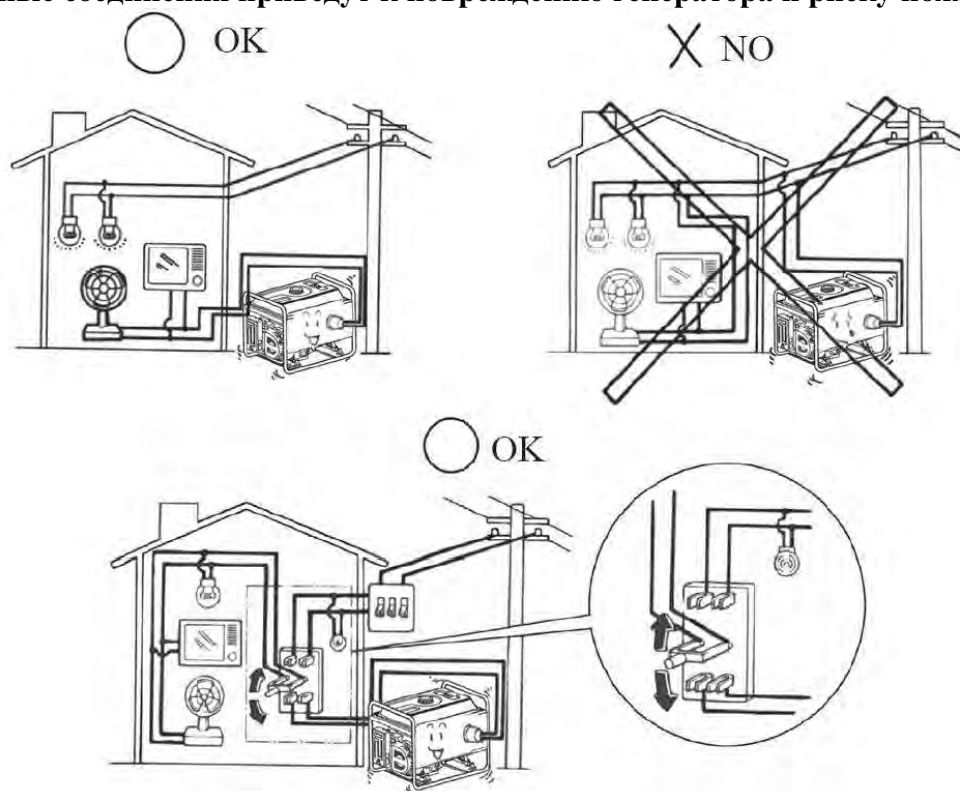
Высота над уровнем моря: ниже 1000 м (если рабочая зона выше 1000 м, мощность следует уменьшить при эксплуатации).

1. ПОДКЛЮЧЕНИЕ К БЫТОВОМУ ИСТОЧНИКУ ПИТАНИЯ

NOTICE

При подключении генератора к бытовому источнику питания соединение должно быть сделано квалифицированным электриком. После подключения тщательно проверьте электрические соединения на безопасность и надежность.

Ненадежные соединения приведут к повреждению генератора и риску пожара.

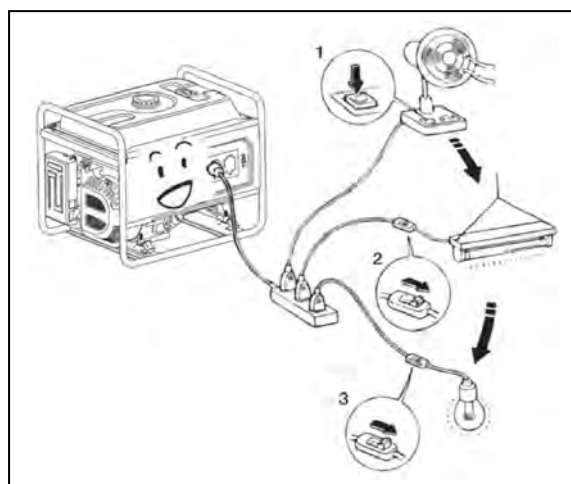


2. ПИТАНИЕ ОТ СЕТИ ПЕРМЕННОГО ТОКА

Перед запуском генератора убедитесь, что полная мощность нагрузки (полная активная, емкостная и индуктивная) не превышает номинальную мощность генератора.

NOTICE

Эксплуатация с перегрузкой будет сильно укорачивать срок службы генератора.



Если генераторная установка связана со многими нагрузками или электрическими приборами, пожалуйста, сначала подключите нагрузку с максимальным током потребления, затем - со вторым, и в заключение, с минимальным током потребления.

Вообще, емкостная и индуктивная нагрузка, особенно, у устройств с приводом от двигателя, имеет большой пусковой ток при запуске.

3. ЭКСПЛУАТАЦИЯ НА БОЛЬШОЙ ВЫСОТЕ

На большой высоте стандартная воздушно-топливная смесь карбюратора будет чрезмерно обогащаться. При этом, выходная мощность уменьшится, а расход топлива увеличится.

Характеристика двигателя может быть улучшена, путем установки меньшего диаметра у главного топливного жиклера в карбюраторе и регулировки направляющего винта. Если двигатель эксплуатируется на высотах 1000 м выше уровня моря, надо, чтобы уполномоченный дилер компании выполнил эту модификацию карбюратора. В противном случае нужно понизить мощность нагрузки работающего генератора.

Даже при оснащении подходящим карбюратором, мощность двигателя в лошадиных силах будет уменьшаться, приблизительно на 3.5 %, на каждое 300-метровое увеличение высоты. Эффект высоты в лошадиных силах будет меньшим чем в случае, если не будет сделана модификация карбюратора.

NOTICE

Если карбюратор для большой высоты вставлен в двигатель, подходящий для более низкой высоты, то обедненная воздушно-топливная смесь вызовет понижение выходной мощности двигателя, перегрев и серьезные повреждения.

ПРЕДПУСКОВАЯ ПРОВЕРКА

1. МОТОРНОЕ МАСЛО

NOTICE

Моторное масло - основной фактор, влияющий на характеристика двигателя и срок службы. Недетергентные масла и масла для 2-тактных двигателей повредят двигатель и не рекомендуются. Проверьте уровень масла перед каждым использование с генератором по уровню поверхности при остановленном двигателе

Рекомендованное масло

Бензиновое масло для 4-тактного двигателя

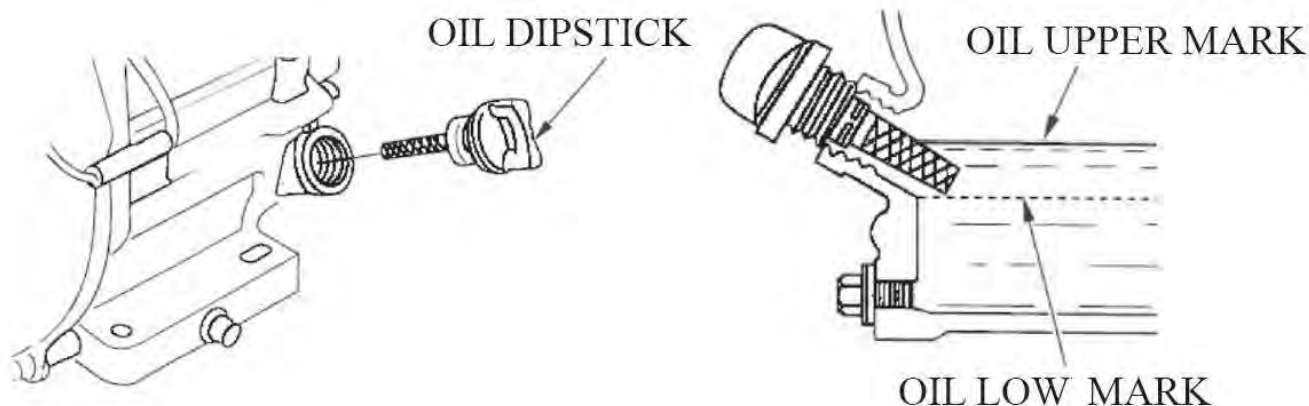
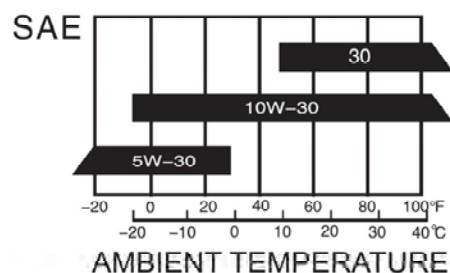
Сервисная SF классификации API

или SAE10W-30 эквивалентного класса SG

Метод проверки уровня масла

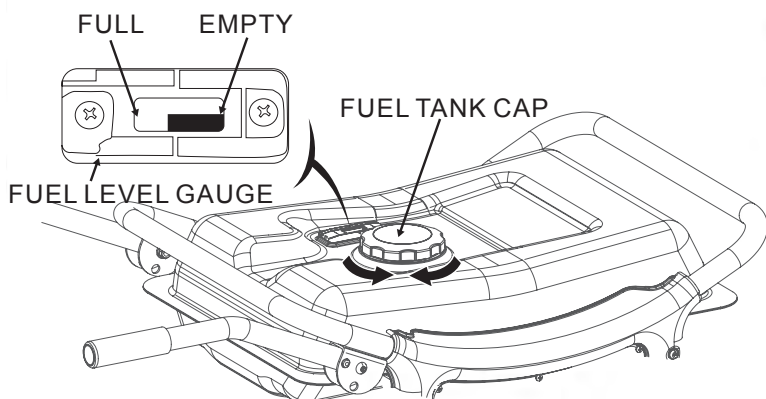
Удалите крышку маслозаливной горловины и вытрите щуп для измерения уровня. Проверьте уровень масла, вставляя щуп в горловину для заливки, не ввинчивая его. Если уровень низкий, долейте рекомендованное масло до

верхней отметки на щупе. После заливки, не забудьте снова вставить и завинтить щуп для измерения уровня масла.

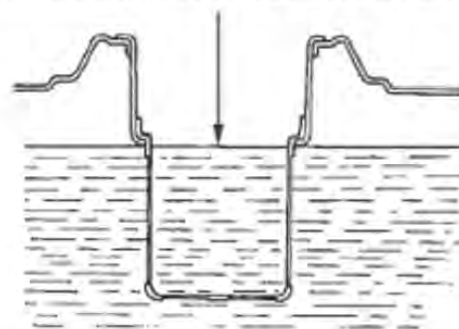


2. ТОПЛИВО

1. Проверьте датчик уровня топлива
2. Долейте топливо в бак, если уровень низкий. Не заливайте выше закраины топливного сетчатого фильтра.
3. После дозаправки, снова установите и завинтите крышку топливного бака.



FUEL MAXIMUM UPPER LEVEL



FUEL STRAINER

⚠ WARNING

Заправляйтесь горючим в хорошо проветриваемой зоне при заглушенном двигателе. Не курите и не допускайте появления огня или искр в зоне, где производится заправка двигателя или где хранится бензин.

Не допускайте переполнения топливного бака.

Избегайте повторного или длительного контакта паров с кожей или с органами дыхания. Держите детей вдали от зоны заправки.

Не используйте смесь масла и бензина, или бензин содержащий примеси.

Используйте бензин с октановым числом ≥ 90 .

Рекомендуется неэтилированный бензин, потому что он порождает двигатель меньшего размера, и уменьшает нагар на свечах зажигания и увеличивает срок службы системы выхлопа.

Никогда не используйте просроченный или загрязненный бензин или смесь масла/бензина. Избегайте наличия грязи или воды в топливном баке.

ЗАПУСК ДВИГАТЕЛЯ

1. СТАРТЕР

1. Удалите все нагрузки с выхода.
2. Поверните топливный вентиль в положение "ON".
3. Включить автомат переменного тока в положение "OFF".
4. Поверните рычаг заслонки в положение "CLOSE".

NOTICE

Не закрывайте заслонку, когда двигатель запускается в горячем состоянии.

5. Установить выключатель генератора в положение "ON".
6. Потянуть ручку стартера до ощущения сжатия, затем потянуть более активно.
7. Повернуть ручку заслонки в положение "OPEN" после прогрева двигателя.
8. Не использовать электрическую аппаратуру до установки автомата в положение "ON".

NOTICE

Не закрывайте заслонку, когда двигатель запускается в горячем состоянии.

4. Повернуть выключатель генератора в положение запуска электрическим стартером.
5. После запуска двигателя немедленно отпустите выключатель генератора, и выключатель генератора может автоматически возвратиться в открытое положение.
6. Повернуть ручку заслонки в положение "OPEN" после прогрева двигателя.

NOTICE

Удержание переключателя генератора в положении запуска электрическим стартером более 5 секунд может повредить пусковой двигатель. Если запуск не удался, отпустите переключатель и подождите 10 секунд перед повтором операции. Если скорость пускового двигателя быстро понижается после некоторого периода времени, то это означает, что аккумулятор должен быть перезаряжен.

ОСТАНОВКА ДВИГАТЕЛЯ

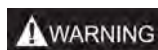
1. Установить автомат в положение OFF.
2. Установить переключатель генератора в положение OFF.
3. Повернуть топливный вентиль в положение OFF.

NOTICE

Для аварийной остановки двигателя, повернуть переключатель генератора в положение OFF.

ТЕХНИЧЕСКОЕ ОБСЛУЖИВАНИЕ И ТЕКУЩИЙ РЕМОНТ

Хорошее обслуживание важно для безопасной, экономичной и безаварийной эксплуатации. Это также поможет уменьшить загрязнение воздуха.

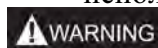


Выхлопной газ содержит ядовитый угарный газ. Отключите двигатель перед тем, как выполнить любое обслуживание. Если двигателем должен работать, удостоверьтесь, что зона хорошо проветрена.

Периодическое обслуживание и регулировка необходимы для поддержания генератора в хорошем рабочем состоянии. Выполняйте обслуживание и проверку в интервалах, указанных ниже в программе обслуживания.

ПЕРИОД РЕГУЛЯРНОГО ОБСЛУЖИВАНИЯ		Каждый раз	Первый месяц или 20 час.(3)	Каждые 3 месяца или 50 час. (3)	Каждые 6 месяца или 100 час. (3)	Каждый год или 300 час. (3)
Машинное масло	Проверить уровень	○				
	Заменить		○		○	
Воздушный фильтр	Проверить	○				
	Очистить			○ (1)		
Отстойник	Очистить				○	
Свеча зажигания	Очистить				○	Обновить
Клапанный зазор	Проверить - Настроить					○ (2)
Крышка цилиндра	Очистить	Каждые 300 часов (2)				
Топливный бак и сетчатый фильтр	Clean	Каждые 2 года (2)				
Топливопровод	Заменить	Каждые 2 года (2)				
WX1200–WX3250 Головка цилиндра и головка поршня	Очистить нагар	Каждые 125 часов (2)				
WX5500–WX7000 Головка цилиндра и головка поршня	Очистить нагар	Каждые 250 часов (2)				

1. Обслуживание более частое при использовании в более запыленных местах.
2. Эти позиции должны обслуживаться уполномоченным дилером по генераторам.
3. При более частом использовании, только обслуживание согласно вышеупомянутым правильным интервалам может застраховать генераторную установку на длительное использование.



Неправильное обслуживание, или неисправность, исправляемая перед эксплуатацией, может вызвать сбой, при котором можно серьезно травмироваться или погибнуть.

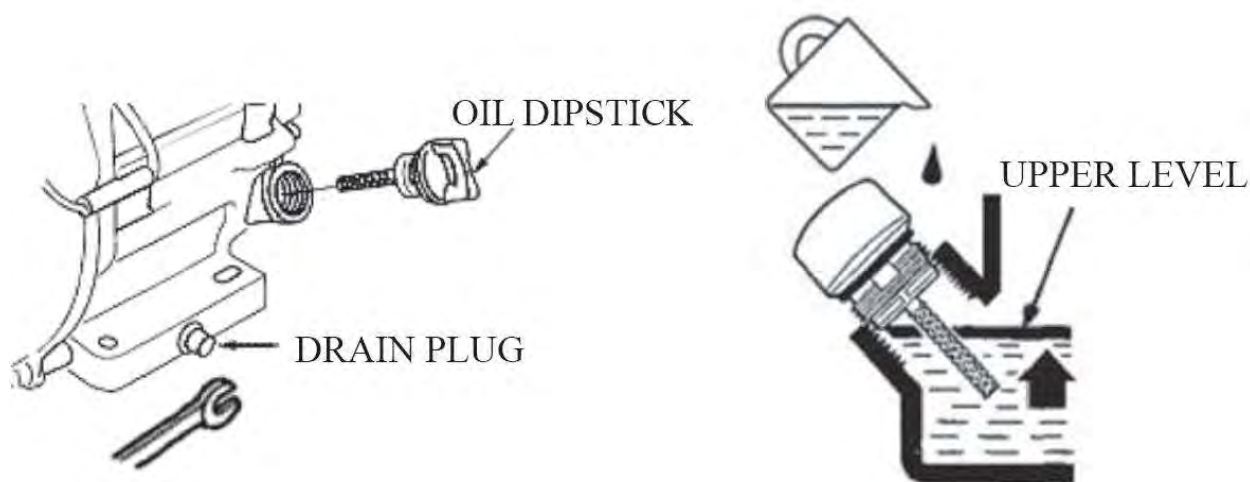
Всегда следуйте рекомендациям по осмотру и обслуживанию, а также программами, приведенными в этом руководстве пользователя.

1. СМЕНА МОТОРНОГО МАСЛА

Слейте масло, в то время когда двигатель теплый, чтобы гарантировать полный и быстрый слив.

1. Чтобы слить масло удалите щуп измерителя уровня масла и сливную пробку.
2. Повторно установите сливную пробку, а затем надежно затяните свечу зажигания.
3. Налейте масло и проверьте уровень масла.

Емкость: WX1200 - WX 2200 - WX3200 - WX3250: 0,6 л;
WX5000 - WX5500 - WX 6200 - WX6250 - WX7000: 1 лл.



⚠ CAUTION

Сверьтесь с масляной картой-пропуском.

Избавляйтесь от масла согласно местным требованиям.

2. ОБСЛУЖИВАНИЕ ВОЗДУШНОГО ФИЛЬТРА

Грязный воздушный фильтр ограничивает воздушный поток к карбюратору. Чтобы предотвратить неисправность карбюратора, регулярно обслуживайте воздушный фильтр. При эксплуатации генератора в чрезвычайно пыльных зонах обслуживайте воздушный фильтр более часто.

⚠ CAUTION

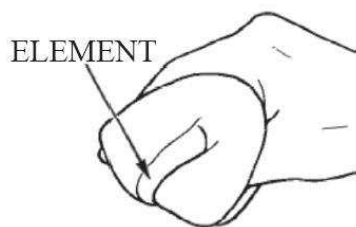
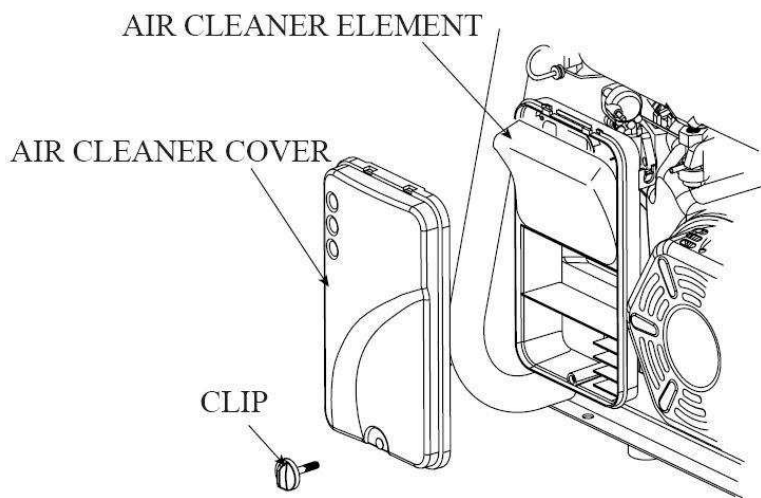
Использование бензина или огнеопасных растворителей для очистки элемента фильтра может вызвать пожар или взрыв. Используйте только мыльный водный раствор или не воспламеняющийся растворитель.

NOTICE

Никогда не запускайте генератор без воздушного фильтра. В ином случае, результатом будет быстрый износ двигателя.

1. Откройте защелку воздушного фильтра и откройте воздушный чехол. Проверьте фильтрующий элемент воздушного фильтра на предмет любого повреждения и чистоты.
2. Если элемент воздушного фильтра грязный, его следует очистить: Вымойте фильтрующий элемент воздушного фильтра в растворе домашнего моющего

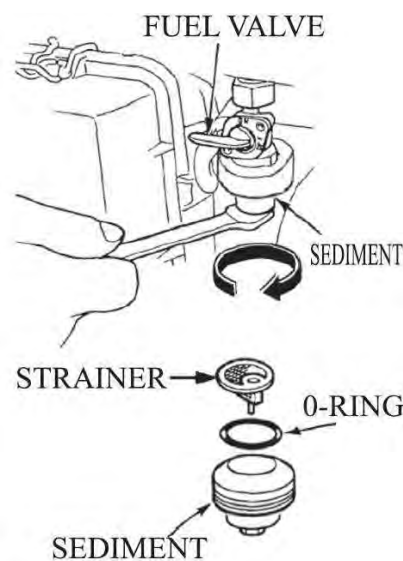
средства и теплой воды, затем тщательно промойте в не огнеопасном растворителе или в растворителе с высокой температурой возгорания: Вылейте несколько капель моторного масла на элемент масляного фильтра, а затем выжмите.



3. Установите обратно элемент воздушного фильтра и закройте крышку.

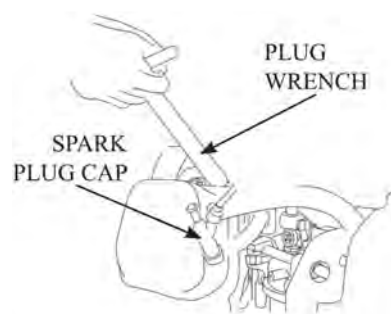
3. ОЧИСТКА КОЛПАЧКА ОТСТОЙНИКА ТОПЛИВА

1. Повернуть топливный вентиль в положение OFF. Удалить колпачок отстойника, уплотнительное кольцо и фильтр согласно направлению стрелки.
2. Очистить отстойник, уплотнительное кольцо и фильтр в не воспламеняющемся растворе или в растворе с высокой температурой воспламенения.
3. Снова установить уплотнительное кольцо, фильтр и завинтить колпачок отстойника.
4. Повернуть топливный вентиль в положение ON и проверить на протекание.

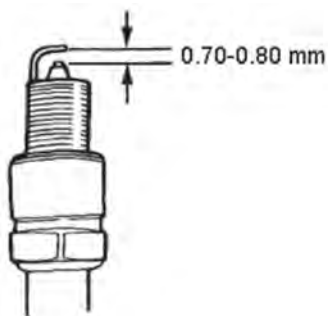


4. ОБСЛУЖИВАНИЕ СВЕЧИ ЗАЖИГАНИЯ

1. Рекомендованные свечи зажигания: F7RTC или другие, эквивалентные.
2. Удалить колпачок свечи зажигания.
3. Используйте свечной ключ для удаления свечи зажигания.
4. Проверить визуально свечу зажигания на наличие трещин в изоляторе. Если трещины имеют место, заменить свечу на новую.
5. Измерить зазор между электродами с помощью калиброванного щупа. По мере необходимости произведите правку, тщательно сгибая боковой электрод. Промежуток должен быть: 0.70 - 0.80 мм.



6. Проверит прокладку свечи на отсутствие повреждений.
7. Снова установить свечу зажигания, затянуть ее свечным ключом, плотно прижимая прокладку. Аккуратно установить свечу зажигания.



NOTICE Пожалуйста, используйте свечу зажигания с подходящей тепловой характеристикой.

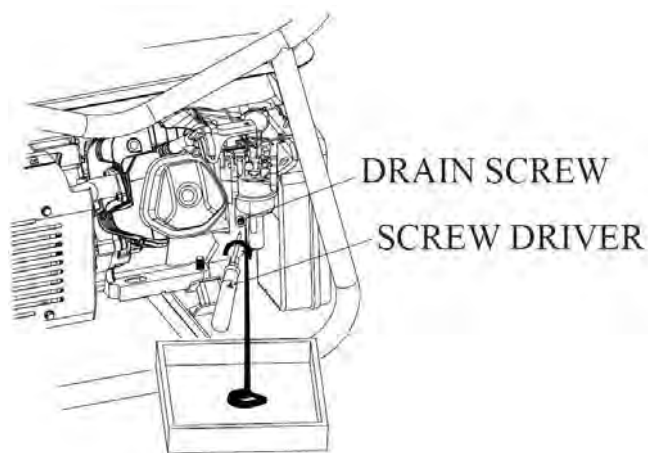
ХРАНЕНИЕ



Не касайтесь горячего двигателя или системы выхлопа, во избежание ожогов или пожаров. Позвольте двигателю охладиться перед складированием генератора.

Если период хранения будет длительным, то убедитесь, что в зоне хранения низкая влажность и мало пыли.

1. Слейте топливо из топливного бака, очистите сетчатый фильтр, уплотняющее кольцо и отстойник, а затем все повторно установите. Слейте топливо из карбюратора, ослабив винт дренажа, затем повторно установите и закрутите винт карбюратора.

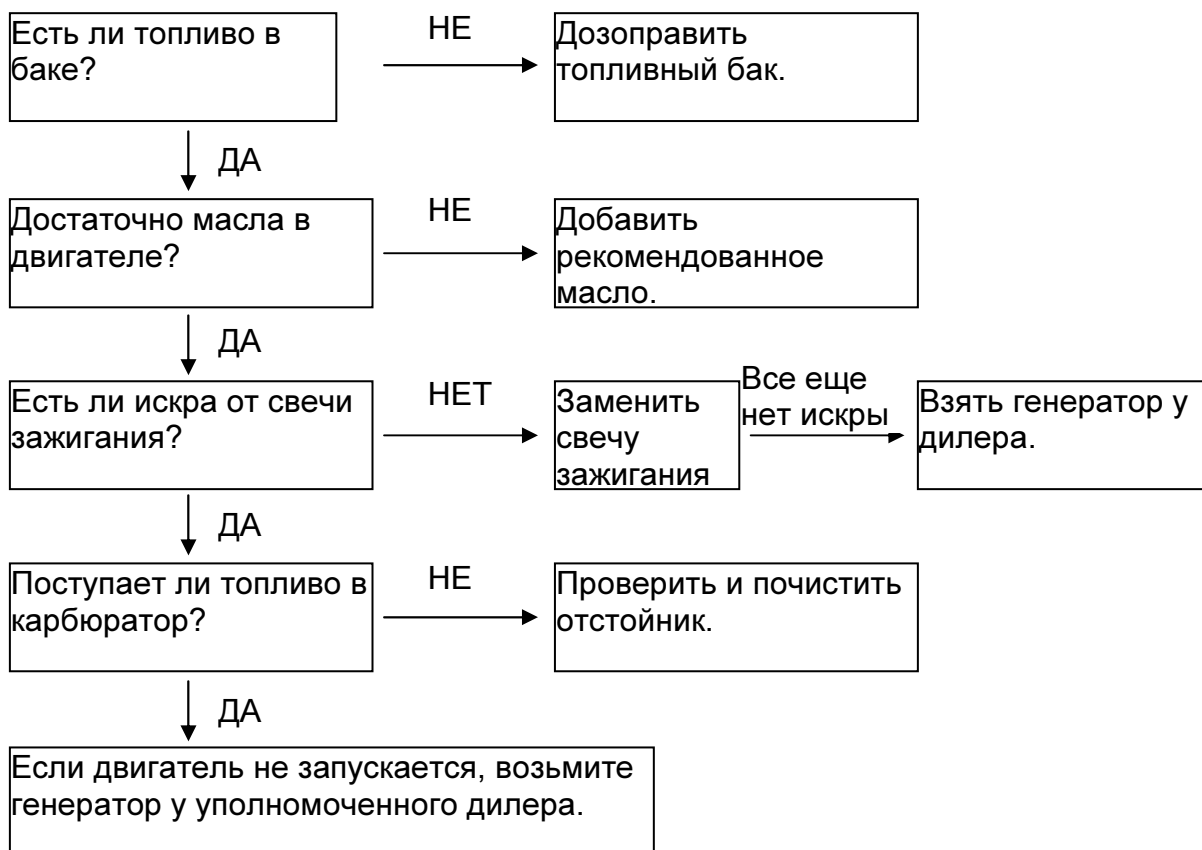


Бензин является чрезвычайно огнеопасным, а при определенных условиях - взрывчатым. Сливайте топливо в хорошо проветриваемой зоне с заглушенным двигателем. Не курите и не допускайте появления открытого огня или искр в данной зоне во время этой процедуры.

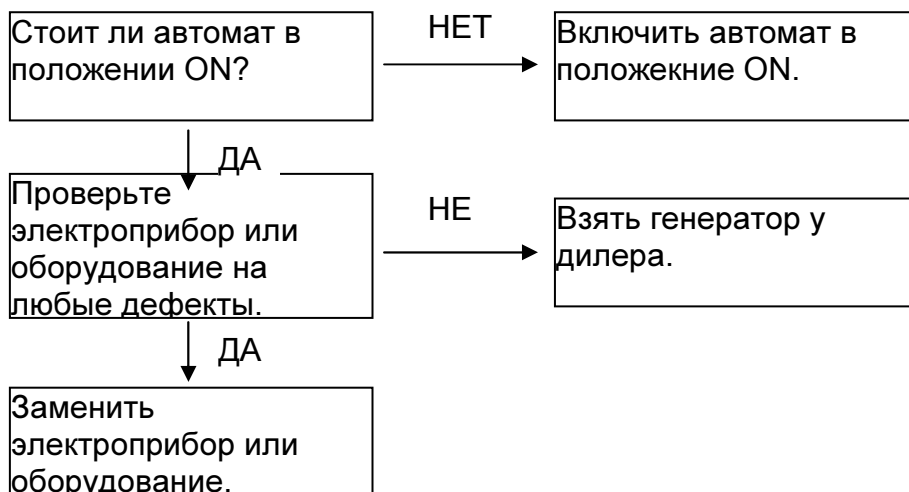
2. Вывинтите щуп для измерения уровня масла и вывинтите сливное сито из картера, чтобы полностью слить масло. Затем закрутите сливное сито и налейте свежее масло до верхней отметки, после чего снова вставьте щуп для измерения уровня масла.
3. Удалите свечу зажигания, и вылейте в цилиндр приблизительно столовую ложку чистого моторного масла. Проверните двигатель на несколько оборотов, чтобы распределить масло, затем повторно установите свечу зажигания.
4. Медленно тяните ручку стартера, пока не почувствуете сопротивление. Оставьте впускной и выпускной клапаны в закрытом положении.
5. Разместите генератор в чистой зоне.

ПОИСК И УСТРАНЕНИЕ НЕИСПРАВНОСТЕЙ

НЕВОЗМОЖНО ЗАПУСТИТЬ ДВИГАТЕЛЬ:



НЕТ ИСТОЧНИКА ПИТАНИЯ:

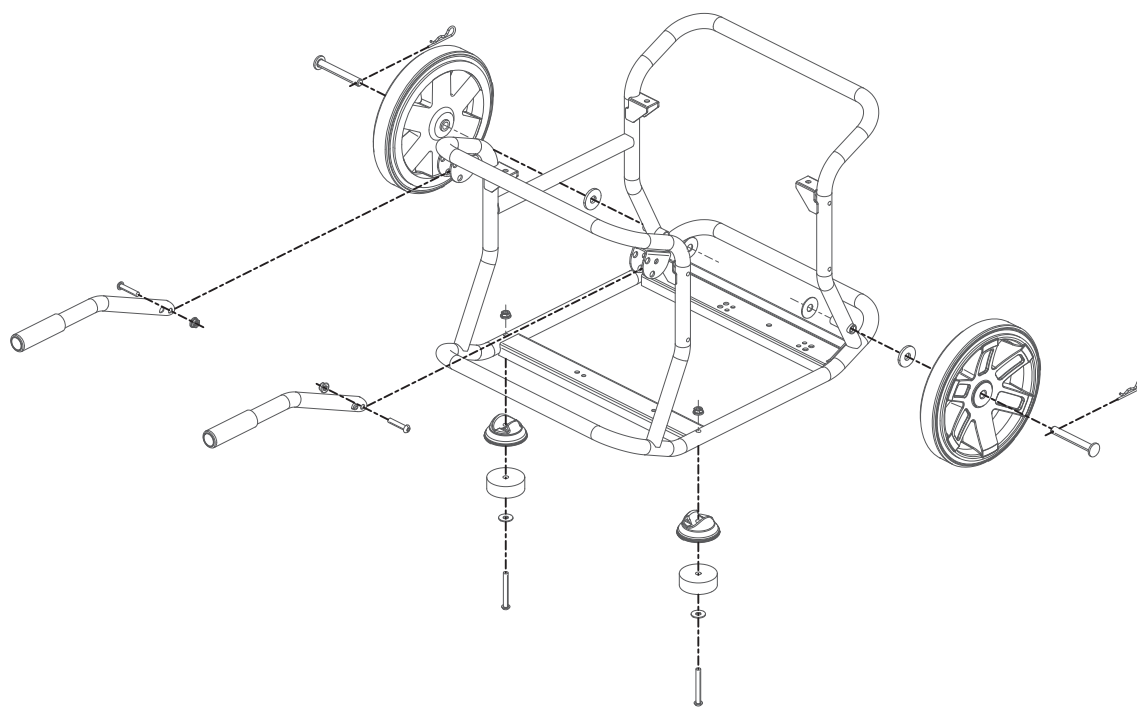
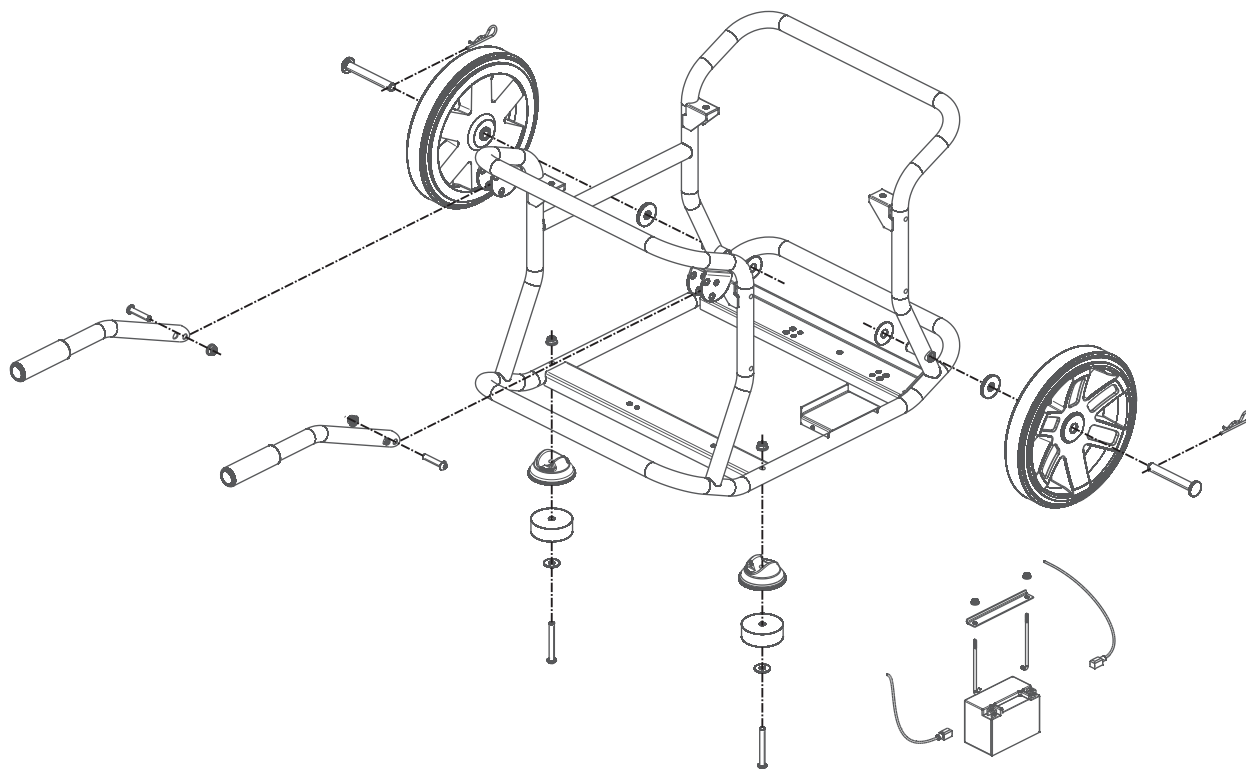


КОМПЛЕКТ ТЕЛЕЖКИ – WX3200 – WX6200 – WX7000

Установите два колеса на колесную ось с прокладками и штифтами.

Прикрепите колеса болтами и гайками к плите основания рамы генератора.

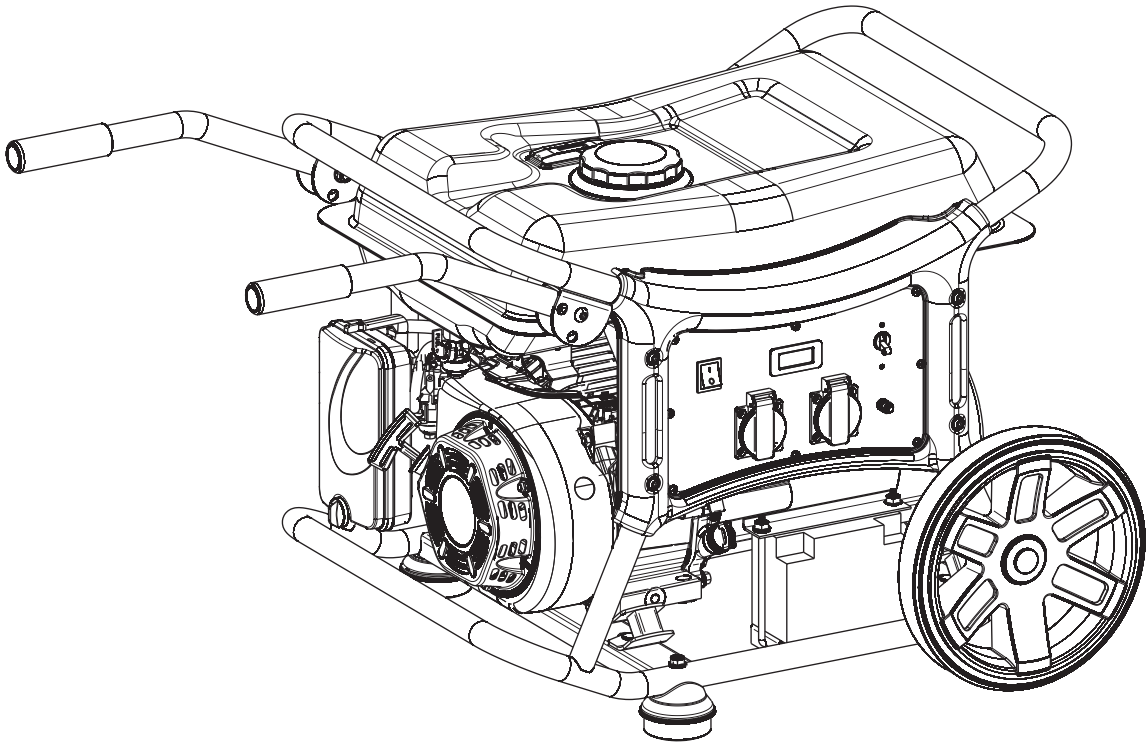
Прикрепите ручку к раме





دليل المالك

WX



شكراً لاختيارك مولد الكهرباء Pramac.

نصوي هذا الدليل على عمل وم انت تشغيل هامة عن مولدك مباء الذي ختتته. لأفضل للتعليج، من فضل لك قرأ بعن كافة
التحذرات ورسائل المرسلة قبل الهدف تشغيل مولدك مباء لخاصريك.


توسيقك افة ال عمل ومات لواردق هذا ال تشغيل و على آخر عمل ومات متاخ وقت الطباعة عن ال تعج. ومن لواردق ختلف
للمضوءات لواردق هذا ال ال عن الأجزاء التي تتجج ذلكم راجعة ولتغزات الأخرى.

وتحفظ شتيرك بالحقف إجراء تعزات فلي وقت دون تنو، ودون تحمل ألتزام. ال جوز إعادق إاج أي جزء من
هذا ال تشغيل دون إذكتب في شركنا.


ووجب أن تعبّر هذا ال جزءاً نظماً من مولدك مباء وأن تظل مع فة حالة إعادق عه.

رسائل السلامة

إسالتك س ال مة الأخرى فة غاة الأهم. قد أوردن ارسائل هامق س ال مة هذا ال تشغيل وعلى مولدك مباء. من فضل لك،
اقرأ هذا ال سائل بعناية.
ح شتيرك رسال قس ال مة إلى ال م خاطر ال مة والى من ال مة أن تؤذك أو تؤذي الأخرى. وسبق لى رسال س ال مة رمز
تعبير خاص بال مة وواحدة من الشكلمات: خطر، وندار، وتحذر. وتبقى هلكلمات:

 خطر
إذال تعجب على عمل مة ستفقد حثك أو ستصعب أبب أذى شدد.

 إنذار
إذال تعجب على عمل مة، من ال مة أن تفقد حثك أو أن تصعب أبب أذى شدد.

 تحذر
من ال مة أن تصعب أبب أذى إذال تعجب على عمل مة.

من ال مة أن تتلف مولدك مباء إلى خاص بك أو لتقتل فمقتلكم الأخرى إذال تعجب على عمل مة.
 تنو

.PR INDUSTRIAL s.r.l
Loc. Il Piano
CAP 53031, Casole D'Elsa (SI)
ITALIA

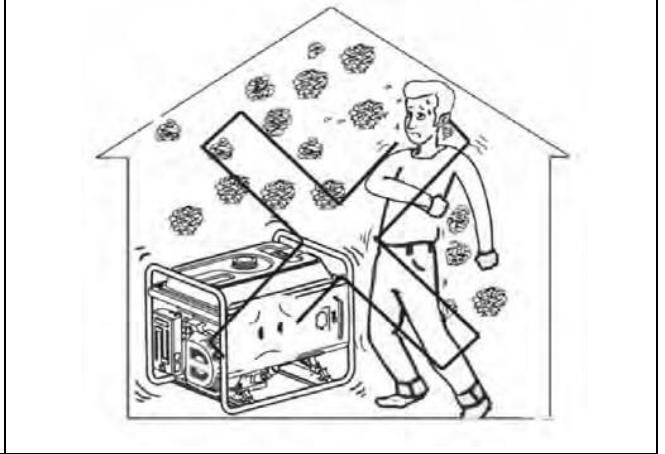
174	تنويه السلامة
175	تحديد المكونات
177	التحكم
178	تشغيل مولد الكهرباء
179	الفحص السابق للتشغيل
181	بدء عمل المحرك
181	إيقاف عمل المحرك
182	الصيانة
185	التخزين
186	اكتشاف الأعطال وإصلاحها
187	مجموعة العجلات
188	بيان علامة المطابقة للمواصفات الأوروبية CE
188	لوحات الرقم التسلسلي

1. اليم غار القاس ل س الة

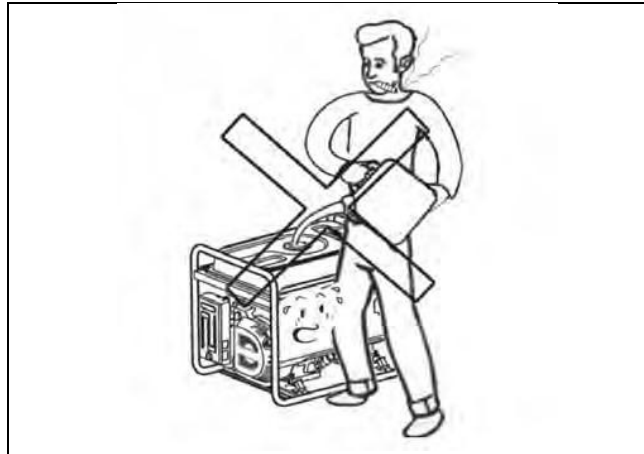
قر أدل ل ال ملك هذا فم هم قبل الهدف تشغ ل مول دالك هبء لا خ اصبك است طاعك المس اعدف من عال حوادث إذا نقت
نقى دراة لفل قب أزارت لخم مول دالك هبء لا خ اصبك، ونقت حرصاً نقى نباع إجراءت لتشغل الآمن.



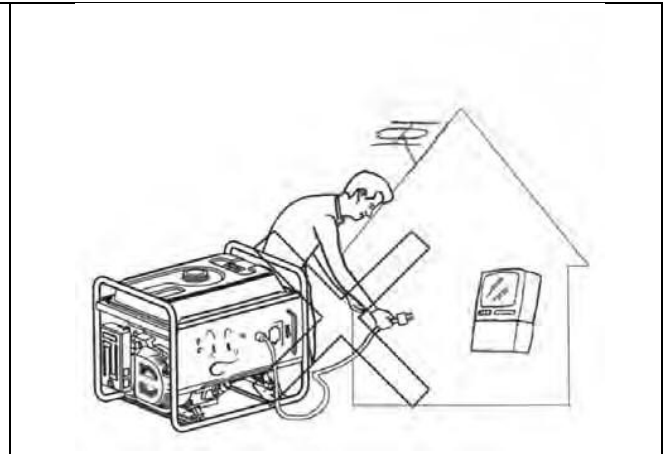
لا شغ في حباتان مطر.



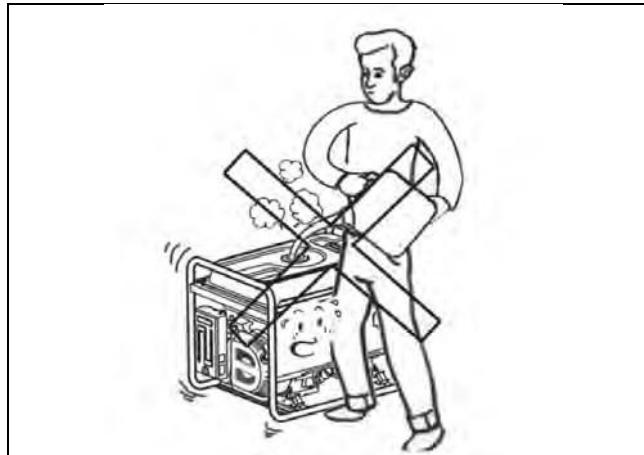
شلاغم ببن داخ م.



لا خذ ه م ح حلقى د.



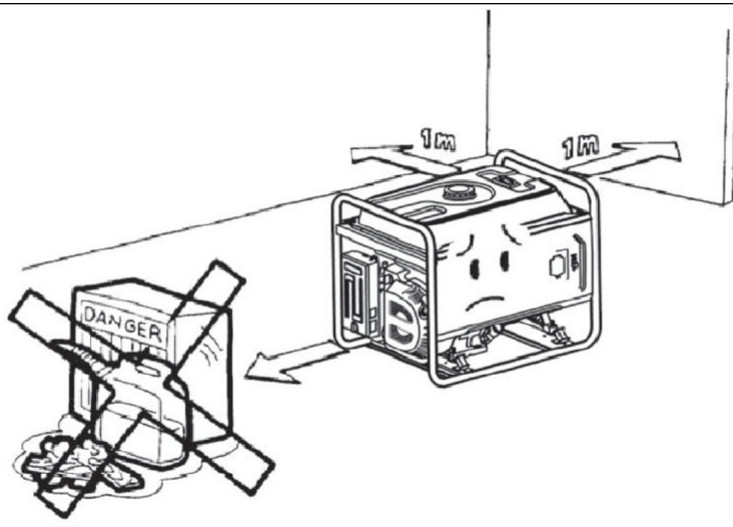
لا حى طبعم شرب م نظو طبقتاوى سل.



أوق فحش غي لنم حرك قب م حلقى د.



عند حلقى د، لاس ي ذك حلقى د ب م ح حلقى د.

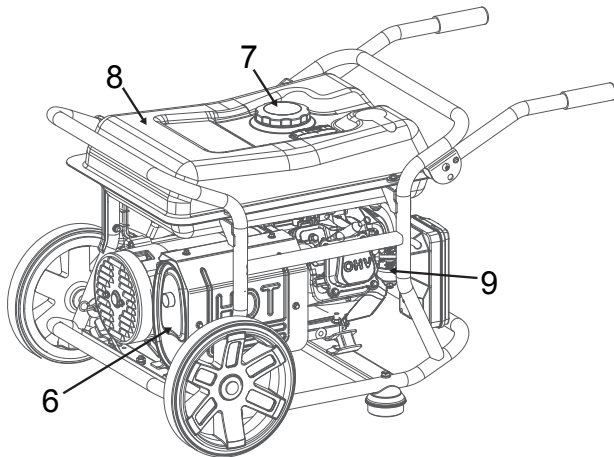
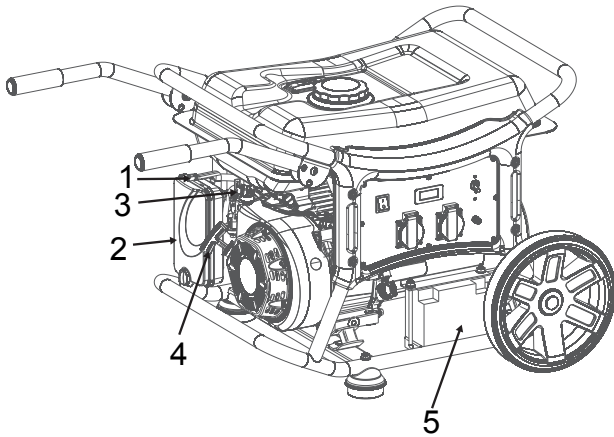


من فضلك، احتفظ لي بجمع مسافة 1 متر على الأقل من الواجهة الباردة لتشغيل.

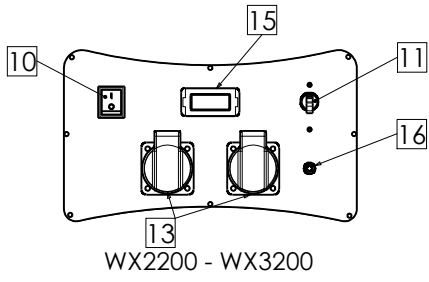
2. متطلبات خاصة

- يُبغ أن تكون الاعدات الكهربائية ومنضفها خطوط التوصيل والقابس مغطاة ومحمية.
- ونبغ أن تتلوق القاطعات الكهربائية مع معدات المولد ذلك هرباً. وابتطلب الأمر استبدال القاطعات الكهربائية، يجب استبدال هليق اقطاعات كهربائية قبل فافس اللموصفات وضائص الالاء.

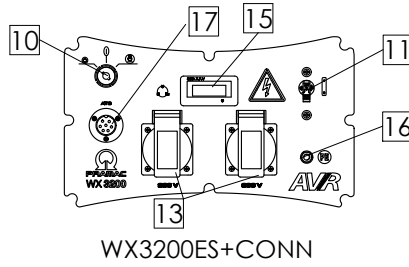
تحديد المكونات



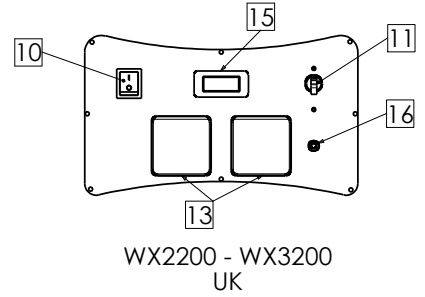
1	رراع الخبوق
2	يقي ان هياء
3	طريق اقي د
4	قبض بيدي لحر لكت الارح اادي
5	مطب بيت (ES)
6	خفيف صان ظوت
7	طبء فسخ سخ ان اقي د
8	سخ ان اقي د
9	ان لمبه
10	بسخ حان من اان لمبه يي
11	قريب طرغان لمبه يي
12	دوا قريب طرغان لمبه يي
13	دواة
14	دواة CEE
15	يقيب شان طاعات - يقيب شان ج هان لمبه يي
16	- يقيب شان خررد
16	طرف اريض
17	موصل ATS (CONN)



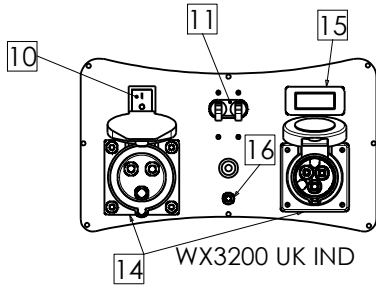
WX2200 - WX3200



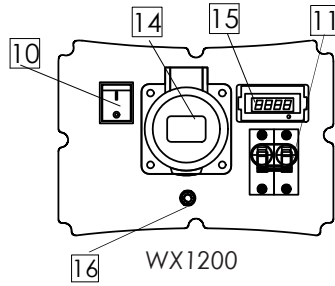
WX3200ES+CONN



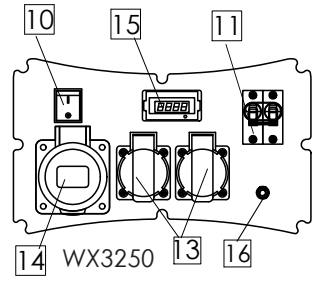
WX2200 - WX3200
UK



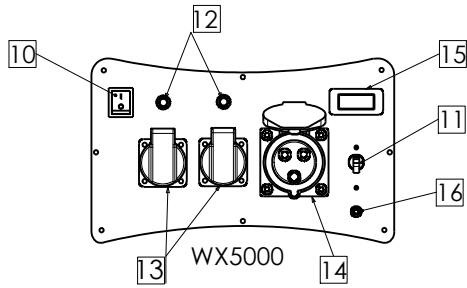
WX3200 UK IND



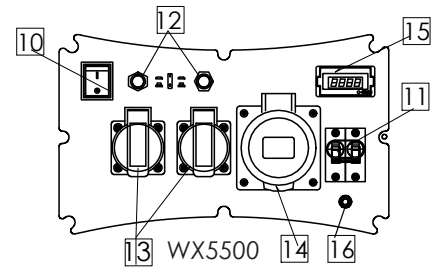
WX1200



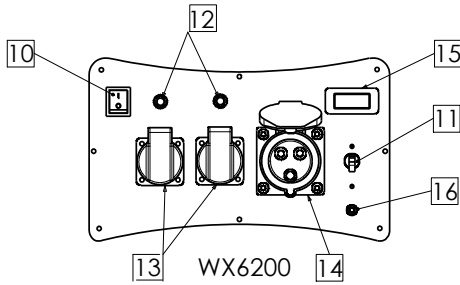
WX3250



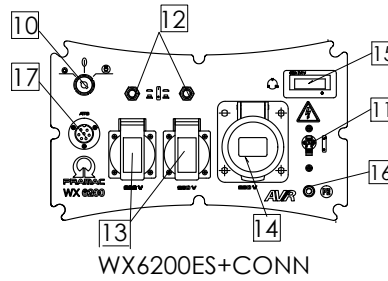
WX5000



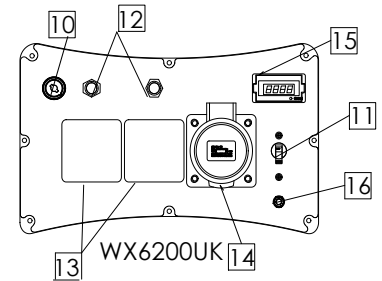
WX5500



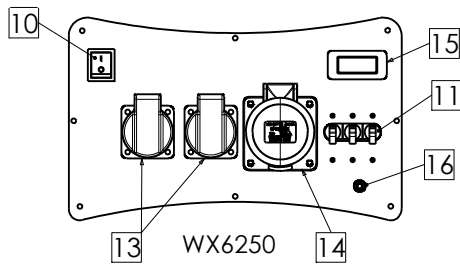
WX6200



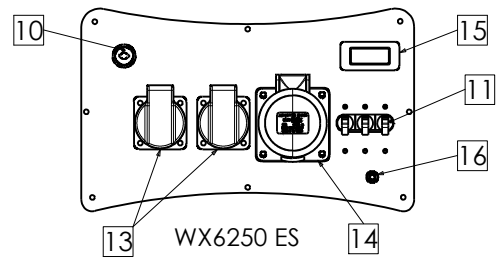
WX6200ES+CONN



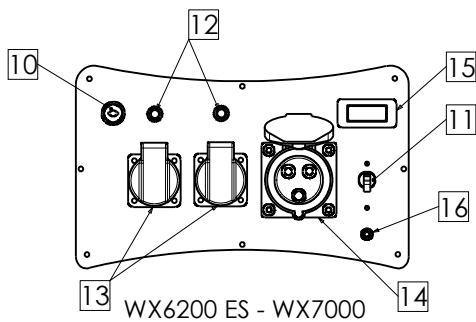
WX6200UK



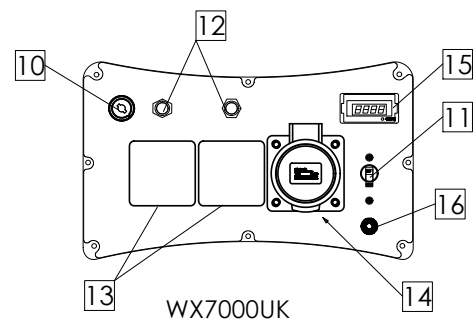
WX6250



WX6250 ES



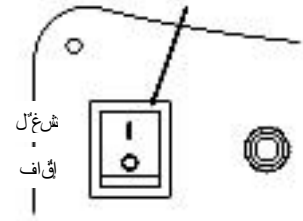
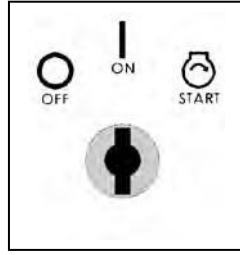
WX6200 ES - WX7000



WX7000UK

1. ففتحاح المول دالك مريائ

فتحاح المول دالك مريائ

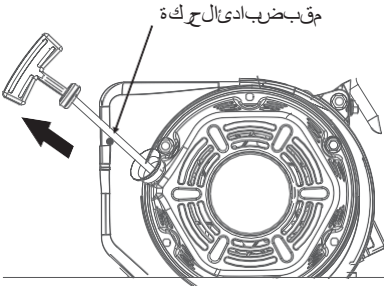


2. بادئ الحركة الاتدادي

لبدئ تشغيل المول محرك اسحقق بمض بادئ الحركة فيقف تحت تشغيل وقاومة ثم اسحب ببطء.

تنويه

لا تسمح برجوع بادئ الحركة فجأة تجاه المحرك. وارجعه بلطف لمنع حدوث تلف في بادئ الحركة.



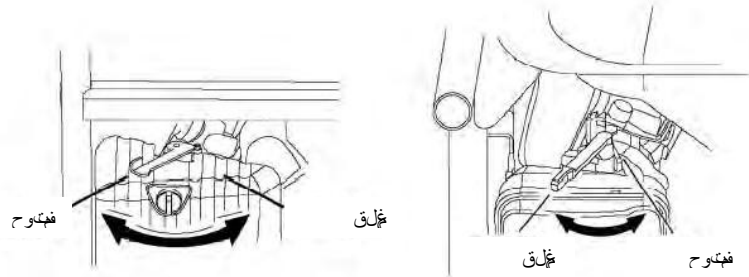
3. صم الملو قود

تتحكم صم الملو قود في تشغيل المول قود من خز الملو قود الى المكين. تأكد من إرجاع ذراع إلى وضع إيقاف بعد إيقاف المول محرك.



4. ذراع الخلق

تستخدم ذراع الخلق لجعل الملو قود في الملو قود في الملو قود. تأكد من أن صم الملو قود في الملو قود في الملو قود.



5. قاطع التار العريبي / التردد / اللوق من زادة التار الك مريائ

سؤدي التار الك مريائ للزائد لوق أم اللوق الك مريائ بقطع التار أوتو هناك التجنب حدوث دائرة قصر في الحمل أو حدوث زادت حمل. إذا كان مؤشر لوق من زادة التار الك مريائ للتردد مفعول، تكون لوق من زادة التار الك مريائ ف هذا الوقت على الوضع إيقاف. لضغط مرة أخرى بعد مروردقة في لزر للاض بالوق من زادة التار العريبي التردد ل جعل على الوضع تشغيل. إذا كان القاطع العريبي على الوضع إيقاف أوتو هناك، غره لوق للوضع تشغيل مرة أخرى.

6. نظام تيبه الزنت

تتمصم من نظام تيبه الزنت خصص ألبي عتلف المول للتحرك عن وجود كم غر لعلفة من الزنت في لوق المول عن دم نخصص مبنوى للزنت في لوق المول تحت لحد الأمن، سيقف نظام تيبه الزنت تحت تشغيل المول أوتو هناك (في لوق المول منقء ففتحاح مول دالك مريائ) على الوضع تشغيل (تتلف المول محرك في عتلف أكمه الزنت).

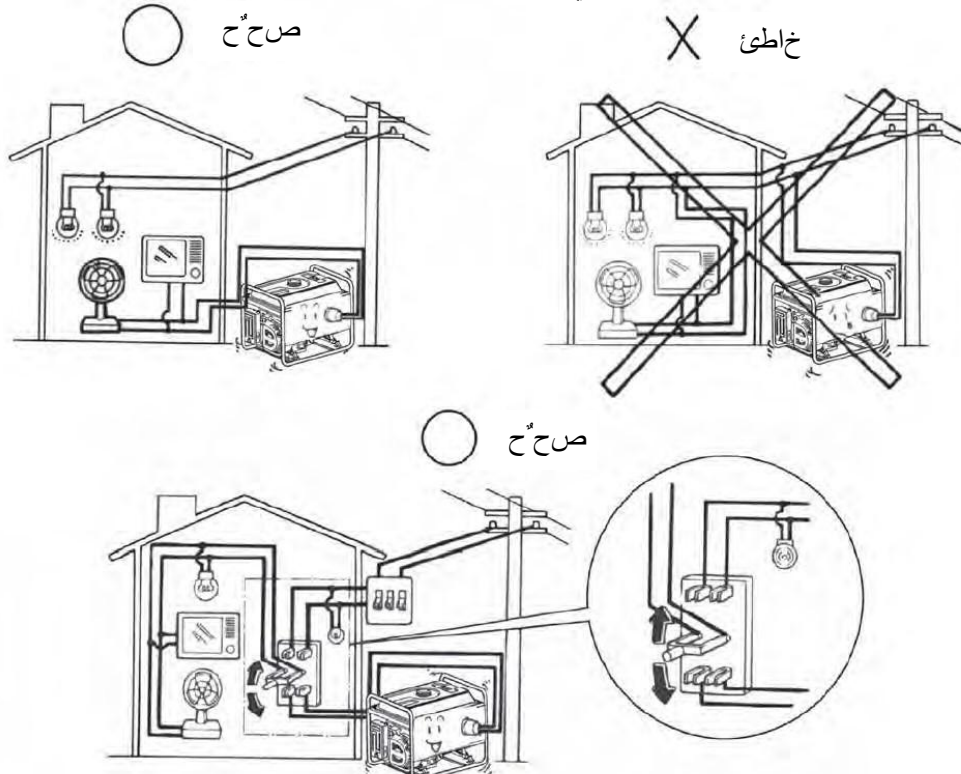
تشغيل مولد الكهرباء

يؤقتشغل مولدك هبء:
درجة لحرارة: -15°C ~ 40°C
لرطوبة: أقل من 95%
الافتتاع ففوق مسنوى سطح البحر: أقل من 1000 نهر (إذك لتال فطقة على تلو فاع أعلى من 1000 متر، يُبغ قص
لطاقه عرطشغل).

1. التوصول بصدردل لطاقه العر بئ قبل منزل

تنويه

عند توصيل مولد الكهرباء بمصدر الطاقة الكهربائية بالمنزل، يجب أن يقوم كهربائي مؤهل بعمل التوصيلات. بعد التوصيل، افحص بعناية سلامة وموثوقية التوصيلات الكهربائية. ستؤدي التوصيلات الغير الآمنة إلى تلف المولد الكهربائي وخطر حدوث حريق.



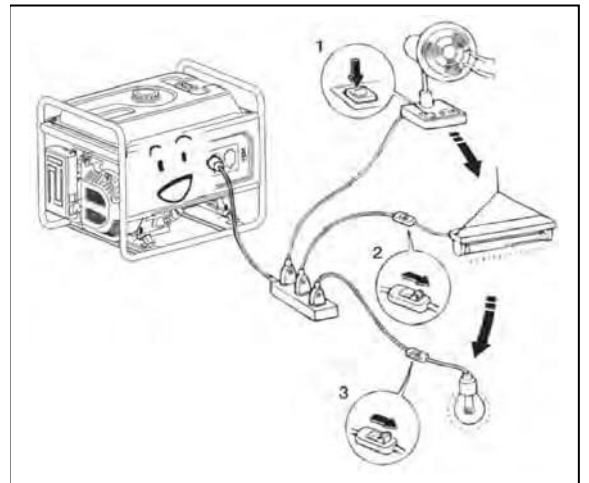
2. التيار العر بئ التردد

قلي بدقتشغل المولد دالك مرياً أكدا الت عدى إجم لطاقه أحمال الأجرة (إجم ل أحمال المقاومة، الى سعوة، ولا شة (لطاقه ال قدرة للمولد دالك مرياً).

تنويه

سيقلل التشغيل مع التحميل الزائد من عمر خدمة المولد الكهربائي كثيراً.

إذا كان المولد دالك مرياً موصولاً بأحمال متعددة أبعده أجرة مرياً، من فضل كق ممتوصل الأحمال صاهة أفضى تارك مرياً أولاً، وبعدها مثل أفضى الأحمال من حث لتأرك مرياً، وأخراً الأحمال صاهة أقل تارك مرياً.



وبشكل عام، تكونت أربدة التشغّل للأحمال السريعة والبطيئة، وخصوصاً الأجهزة التي تدار بمحركات، لغيراً بقى تتبدد لتشغّل.

3. التشغّل على اقصاء عال

عند الاقفااعات العلة، سصّبح خلّ طال هواء الوقود والقّاس للكبّين غير بّشركل فمضط. وسيتقّض قدرة لخرج، وس زداداسيت الك لوقود. وكّنت حسّن أداء المحرك عن طرّق يتنبّهت فنيّت ووقود ريسل مقطر لّس غرّف الكبّين وإعاده صبّط مسمار الّل. وإذا لغيت سيشغّل المحرك هلمّ أّغى اقصاءات لغتر من 1000 لتر فوق مبيتوى سطح البحر، اطلب من الموزع الّ مع ملى شرفقى القّام بهذا الك عدّل على الكبّين. وإن لم يكن هذا موالح الّل ل قدرة الأحمال عيتشغّل المولدالك هربائ. وسيتقّض ل قدرة لاصنّ قّل لمحرك قدار 3.5% قرب الّل 300 بمر زّادقّ الاقصاء عى وإن كان مزود بّكبّين مالحم. وإذالمكّبت عدّل الكبّين، سقى تكّثر الاقصاء عى ل قدرة لاصنّ قّبشركل لّبر من هذا.

تقوّه

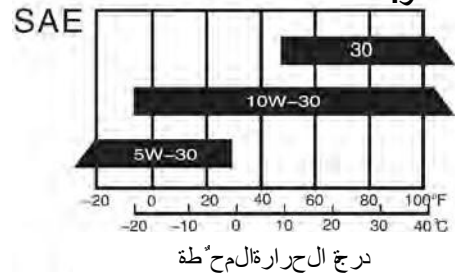
وإذا كان المكربن الخاص بالارتفاعات العالية مجهزاً بمحرك مناسب لارتفاعات أكثر انخفاضاً، فسيسبب الخليط الفقير للهواء والوقود انخفاض قدرة خرج المحرك، وزيادة سخونته وتلفه بشكل كبير.

الفحص السابق للتشغيل

1. زّت المحرك

تقوّه

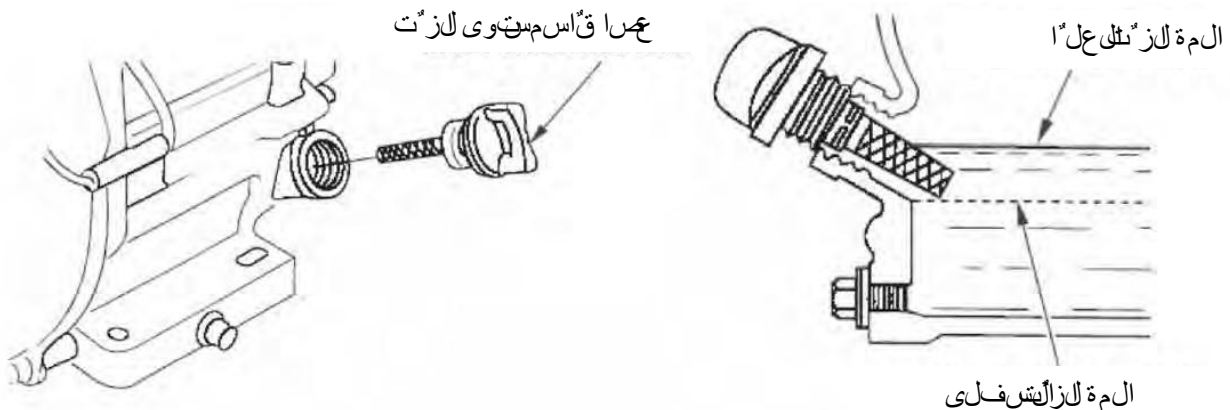
يعتبر زيت المحرك عامل رئيسي في التأثير على أداء المحرك وعمر الخدمة. ستتلف زيوت المحرك غير المنظفة وزيوت المحركات ثنائية الأشواط المحرك ولا يوصى بها. افحص مستوى الزيت قبل كل استخدام مع إيقاف تشغيل المحرك ووضعه على سطح مستوي.



للزّوت الّ موصى بها
زّتلين زّن ربا ع الأشواط.
للزّوت الّ صرّف SF حس بنظام تصنّف مع هاليتروال الأمر ك.
أو SAE 10W-30 أو قباّبلها من الفئة SG.

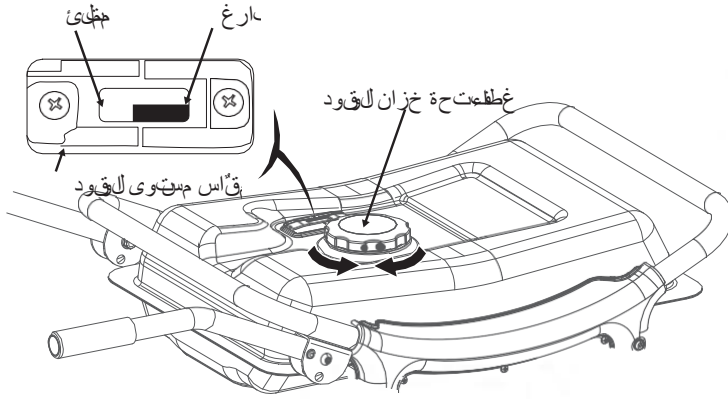
طرّق فحص مبيتوى للزّت:

لزع غطا فتحة تعبئة الزّت ولمسح عمرا قّاس المبيتوى لتقظّها.
تتحقّق من مبيتوى للزّت عن طرّق إدخال عمرا قّاس المبيتوى عبر جرف فتحة التعبئة دون بّطها. إذا كان المبيتوى
فنيّضاً، لّرف للزّت لمطوب عى لّلامس لعلامه اللّغى اللّغى عمرا قّاس المبيتوى.
بعد اللّلاف، بلّنسى إعادة إدخال عمرا قّاس مبيتوى للزّت وبّطها.

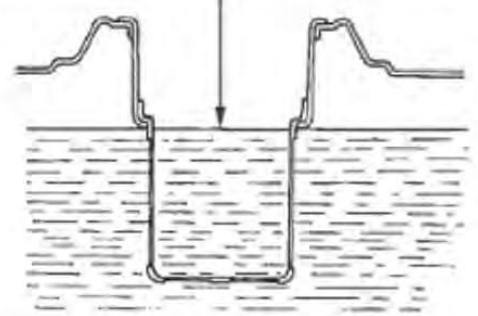


2. لوقود

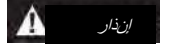
1. تحقق من قياس مستوى الوقود،
2. وأعد ملء الخزان إذا كان مستوى الوقود في انخفاض. لا تملأ الخزان أعلى من مستوى الحد المسموح به.
3. أعدتفتت ويط غطاء فتحة خزان الوقود بعد إعادة تعبئة الوقود.



أقصى مستوى ايفال لوقود



صفاء لوقود



- أعد تعبئة الوقود في منطقة جيدة التهوية مع إيقاف تشغيل المحرك. لا تدخن أو تسمح بوجود لهب أو شرارات في المنطقة التي يعاد تعبئة وقود المحرك بها أو حيث يتم تخزين البنزين.
- لا تملأ خزان الوقود فوق الحد المطلوب.
- تجنب ملامسة الوقود للجلد أو استنشاق الأبخرة بشكل متكرر أو لفترات طويلة.
- يحفظ بعيداً عن متناول الأطفال.
- لا تستخدم خليط الزيت والبنزين أو البنزين المحتوي على شوائب.

استخدم بنزين 90 أولئك الذين ألبور من أوتس اوي 90. نوصي بخدم البنزين لالعمل من لارص اص لئنه تتجكم أقل في رواس بالمحرك وشمعة الإشعال وطول عمر نظام الادم.

لا تستخدم بديل بنزين لفرن أو لهوث أو لحاط زت وبنزين. وتجنب وصول الأتربة أو الماء إلى داخل خزان الوقود.

1. بادئ الحركة الاتدادي

1. لزج كل الأحمال عن لاخرج.
2. أدرصم الموقود إلى ال وضع عتاشغ"ل".
3. أدرق اطعالتار اللعربئ ال تدردد إلى ال وضع "إقاف".
4. أدر ذراع لاخلق إلى ال وضع "مخلق".

تنويه

لا تغلق الخانق عند بدء تشغيل المحرك وهو دافئ.

5. أدر ففتاح المولد اللعربئ إلى ال وضع عتاشغ"ل".
6. اسحب قبض بادئ لاحرك فيقول ح زل شعور بلضع اطعم اسحب قبضه.
7. أدر ذراع لاخلق إلى ال وضع "فمتوح" بعد أن صُحح لاحرك ساخناً.
8. لستخدم الأجزاء اللعربئ قبل ضبط اطع اللعربئ لئلا يضر عتاشغ"ل".

تنويه

لا تغلق الخانق عند بدء تشغيل المحرك وهو دافئ.

4. أدر ففتاح المولد اللعربئ إلى ال وضع ببدء عتاشغ"ل الكهوائ".
5. بعهد عتاشغ"ل لاحرك، لترك ففتاح لامولد الكهوائ ف لال و لئلا ن أن نعود ففتاح لامولد الكهوائ أوتو هتاك إلى وضع "فمتوح".
6. أدر ذراع لاخلق إلى ال وضع "فمتوح" بعد أن صُحح لاحرك فلياً.

تنويه

مكن أن يتسبب تحريك مفتاح المولد الكهربائي إلى وضع بدء التشغيل الكهربائي لأكثر من 5 ثواني في تلف محرك بدء التشغيل. إذا فشل بدء التشغيل، اترك المفتاح وانتظر 10 ثوان قبل تشغيله مرة أخرى. إذا تناقصت سرعة محرك بدء التشغيل بسرعة بعد فترة من الوقت، فإن هذا يعني أنه ينبغي إعادة شحن البطارية.

٤

1. أدرق اطعالتار اللعربئ ال تدردد إلى ال وضع الإقاف.
2. أدر ففتاح المولد الكهوائ إلى ال وضع الإقاف.
3. أدرصم الموقود إلى ال وضع الإقاف.

تنويه

لإيقاف المحرك عند حدوث طارئ، أدر مفتاح المولد الكهربائي إلى وضع الإيقاف.

إن الصلّة لاجّدة أمر ضروري لضمان تشغيل آمن، وقياس ادي، وخالي من الأعطال. ويتساعّد أضراً على قضيته ووثال هواء.

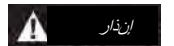


يحتوي غاز العادم على أول أكسيد الكربون السام. أوقف تشغيل المحرك قبل القيام بأية أعمال صيانة. إذا كان من الضروري تشغيل المحرك، تأكد من تهوية المنطقة بشكل جيد.

إن إعادة الضبط والصلّة للدورّة من الأمور الالزلهي حفاظ على المولدالكهربائيّ ً على تشغيله لاجّدة. قبل عمل للصلّة فلو فحوص من بافتترات للزفّ الةال موضوع قبل جدول للصلّة أناه:

ك م عام أوك م 300 ضبت (.3)	ك م 6 شهري أو ك م 100 نبت (3)	ك م 3 شهري أو ك م 50 نبت (3)	على شهر أول أو 20 نبت (.3)	عذك م اضح خذاو	مخراشظلي بوتان هخظلم
				○	رراع الخبوق
	○		○		زي جانم حرك
				○	عقنيان هياء
		○ 1)			كأش لروطب
	○				شمعت الإشعال
حجذيذ	○				خه صرناظمبو
○ 2)					عطبء الأسطوات
			ك م 300 نبت 2)		مخراشظلي
			ك م 2 نبت 2)		مخراشظلي
			ك م 2 نبت 2)		مخراشظلي
			ك م 125 نبت 2)		رأس الاسطوانة ورأس المكبس
			ك م 250 نبت 2)		رأس الاسطوانة ورأس المكبس

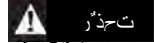
1. قبل أعمال الصلّة قبل تشغيله لاجّدة. في اطقم تبة.
2. نبعّ لتتم صلّة هذه العنصر عن طريق موزع مولدالكهرباء ال معمد.
3. عند الامتخادمشركل تمكّرر، "كُن أن تضمن للصلّة وفق الفتترات للزفّ أعلاه ودهه السن مرار استخدام مولدالكهرباء فبترة طولة.



يمكن أن تتسبب الصيانة الغير صحيحة، أو الفشل في تصحيح مشكلة ما قبل التشغيل في حدوث خلل من الممكن أن يؤدي إلى إيدانك بشدة أو إلى فقدان حياتك. اتبع دائماً جداول وتوصيات الفحص والصيانة الواردة بدليل المالك هذا.

1. تغزير زيت المحرك

1. قبل تصريف الزيت عندما يكون المحرك فليأخذ من تصريف كإمل وسرع.
1. لوزع حمرا قانس مستوى الزيت وسدادة التصريف فليقق وبتصريف الزيت.
2. أعنتب تسدادة التصريف ثم ألكم بطها ج دأ.
3. أعد ملء الزيت ثم تحقق من مستوى الزيت.
سعة الزيت: 0.6:WX1200-WX2200-WX3200-WX3250 لتر؛
1:WX5000-WX5500-WX6200-WX6250-WX7000 لتر



راجع بطاقة تامين الزيت.

تخلص من الزيت وفق الشروط والجدول.

2. صيانة هيكل الهواء

سمنع هيكل الهواء التمسخ تحت قبال الهواء إلى اللمكين. لمنع حدوث خلل ليللمكين قم بأعمال صيانة هيكل الهواء ببرنامج. قم بأعمال الصيانة بشكل دوري وتكرراً بعد التشغيل في المناطق التي تكون فيها الغبار.



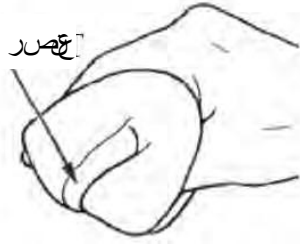
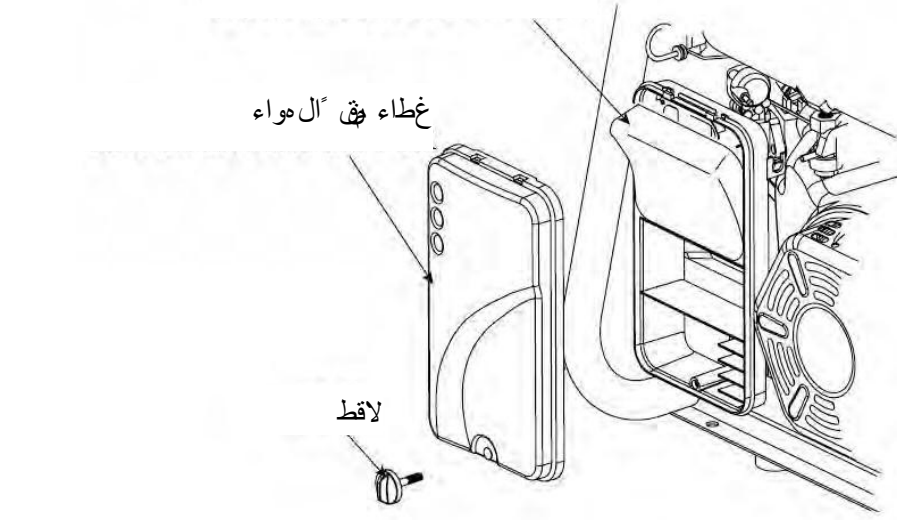
يمكن أن يتسبب استخدام البنزين أو استخدام مذيب قابل للاشتعال لتنظيف عنصر الترشيح في حدوث حريق أو انفجار. استخدم الماء والصابون أو المذيبات الغير قابلة للاشتعال فقط.

تنويه

لا تشغل مولد الماء بلبددون هيكل الهواء. وإن لم يعمل لك، ستج عن هذلتف للمحرك سرعاً.

1. افتت القط هيكل الهواء لفتح غطاء الهواء بفتح قنم من ظافة تصريف هيكل الهواء وعدم وجوده أفتت اتعبه.
2. إذا كان تصريف هيكل الهواء نهمخاً، من فضل لكق بفتح قنم. وأغسل تصريف هيكل الهواء من الماء الفلي وبتظف فيزل ثم تظفه ج دأ مذب غرق ليل للاشتعال أو بمذبله درجة تفتح ال مفتح: المكب قنم نقل لة من زيت المحرك على تصريف ح الزيت ثم تخلص في هبللمحرك.

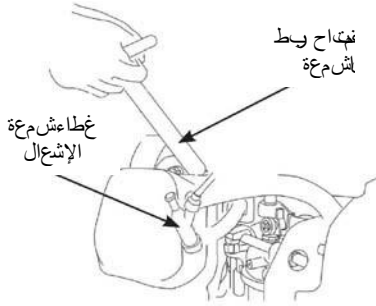
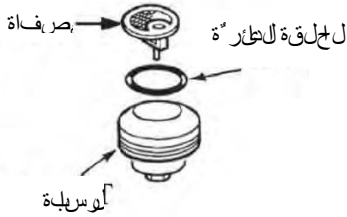
تفحص رتق ءال هوا



3. أعتقتب ءت تفحص رتق ءال هوا والغطاء.

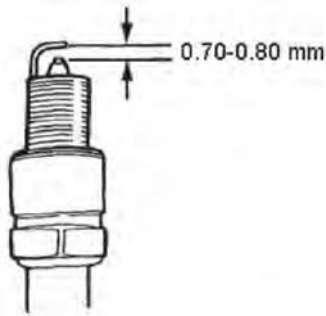
3. تفظف كءس رولر بلوقود

1. أدر صم الموقود لى وضع الإقاف. لزرع كءس لارولر بل، ولحلقة ءال ءر ءة، للوصف باء سب ات جاه الهم.
2. نطف كءس لارولر بل، ولحلقة ءال ءر ءة للوصف باء سب ات جاه الهم مذب ءر ءة قبل ال ءتعال، أو مذب له درء ءة ءتعال موقعة.
3. أعتقتب لى حلقة ءال ءر ءة، ولاصفاء، وابطف كءس لارولر بل ءءاً.
4. أدر صم الموقود لى وضع ءك ءر ءة وت ءرق من وءوتس بات..



4. صءة شمعة الإشءال

1. شمءات الإشءال الموصى به: F7RTC أو مءافءى ها.
2. لزرع ءطاء شمعة الإشءال.
3. اسءءء فءءاح بطف شمءة الإشءال.
4. فءء صءة الإشءال بالءن ءر بءءاً عن وءوتس ءرق اتبءال ءزل. إءا كان ال ءزل مءءقاً، للى بلى لءشمعة بءء ال ءءة.
5. ءءق ءسءءاح لى شمءة بءءة مءءسءءس. ءءءء الءصءء الءزم عن ءر ءءن الءءر وءال ءءب. ءبء أنءءفون الفءءة: 0.70 - 0.80 ملم ءر.
6. ءءرق من ءدم وءوتس فءءة (شمءة الإشءال).
7. أعتقتب شمءة الإشءال، وأءكم بطف مءسءءءءءءءءءة (شمءة الإشءال). أعتقتب شمءة الإشءال بءة.



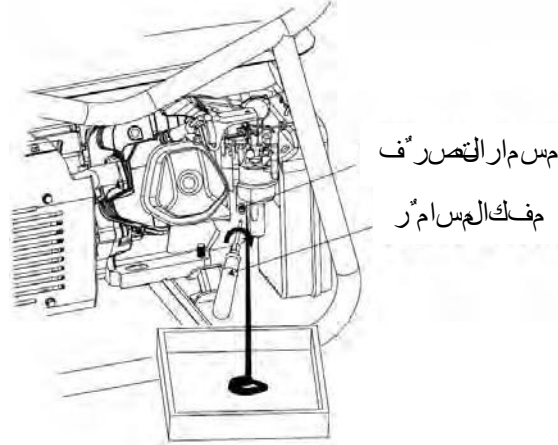
تقو ءة

من فضلك، اسءءء شمءة الإشءال ذات المءى الحرارى المءاسب.



لا تلمس المحرك أو نظام العادم وهو سخان لتجنب الحروق ونشوب الحرائق. اترك المحرك حتى يبرد قبل تخزين المولد الكهربائي.

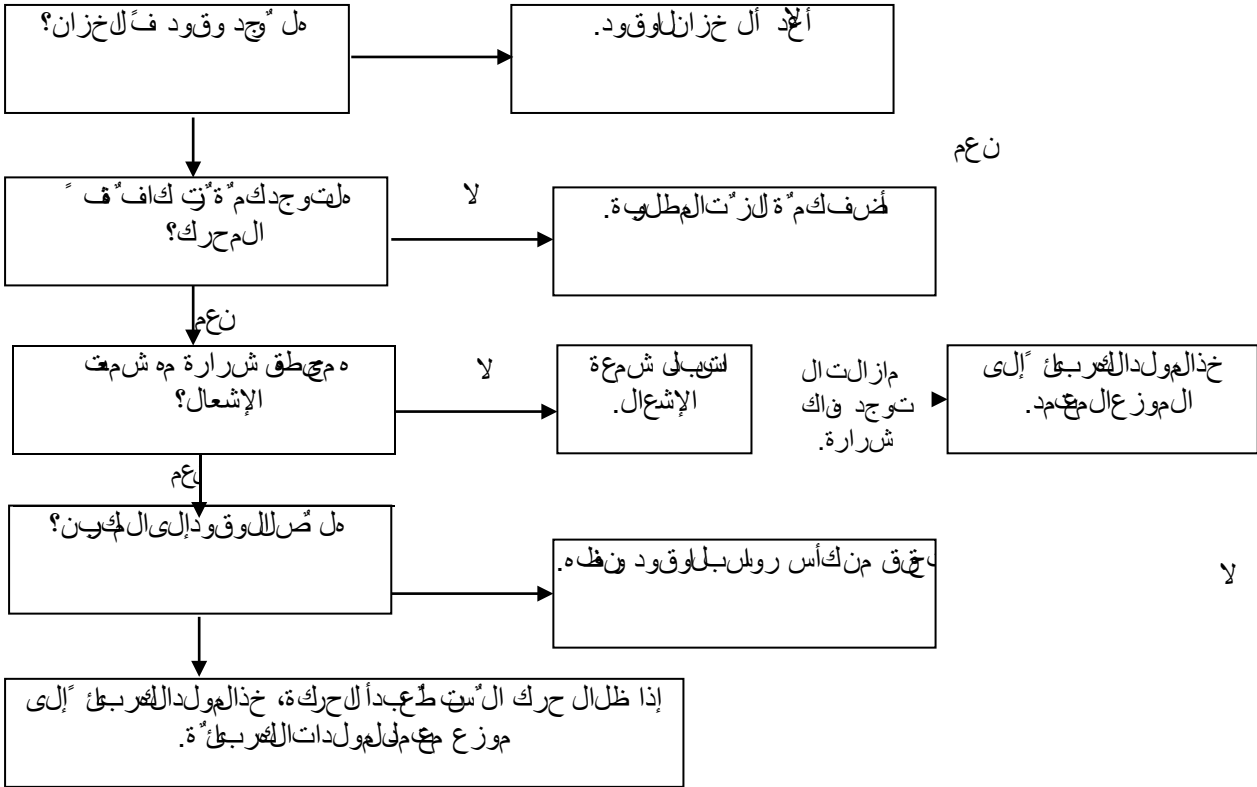
إذا قمت بتخزين الوحدة لمدة طويلة فتأكد أن في طاقات تخزين خلوة من الأتربة والرطوبة الزائدة.
1. قم بتصريف الوقود الموجود وخزان الوقود خارجاً، ونظف لاصفاة، والحقنة للظائفة، وكأس للروبلر ثم أعد تثبيتهم. قم بتصريف الوقود خارجاً من مركب عن طريق فك مسمار التصريف، ثم إعادة التثبيت، ويطمس ماركس المكين.



إن البنزين شديد الاشتعال وتحت ظروف معينة يصبح متفجراً. قم بتصريف الوقود في منطقة جيدة التهوية مع إيقاف تشغيل المحرك. لا تدخن أو تسمح بوجود نيران أو شرارات في المنطقة المحيطة أثناء إجراء هذه العملية.

2. فك عمداً أس مسيتوى الزيت وفك صمامولة التصريف من علبة المرافق لتصريف الزيت لتبلكامل إلى الخارج ثم ابطص اميلة لتصريف وأملبزت جد د جى لعلامه للظوءة، وأخرأ أعهتبتت عمداً أس مسيتوى للزيت.
3. انزع شمعة الإشعال، واسكب مقدار حلى مل في قمايدة من زيت المحرك النظيف بداخل الأسطوانة. قم بتدوير المحرك عدة دورات لتوزع الزيت، ثم أعهتبتت شمعة الإشعال.
4. اسحب بمض بادئ للحركه قببطعلح زالش عورب قماودة إترك صمام الإدخال ولعادم فاضع الإغلاق.
5. ضع المولد ذلك مبرأف في طاقه نظفة.

لا تلمني بديتقشغ لالمحرك:



صدر لطاق ال عمل:

